

MATERIALS AND FINISHES

BODY, FERRULE, WASHER, BUSHING BRASS
PLATED NCKEL

CENTER CONTACT BRASS
PLATED GOLD

INSULATOR, WASHER TEFLON

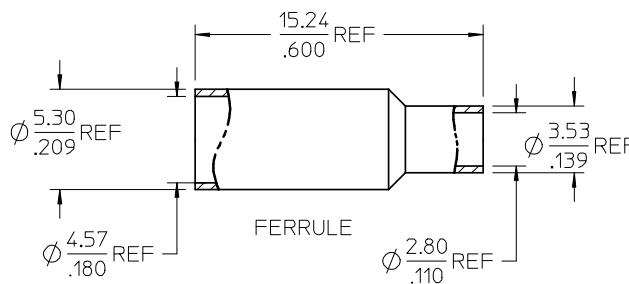
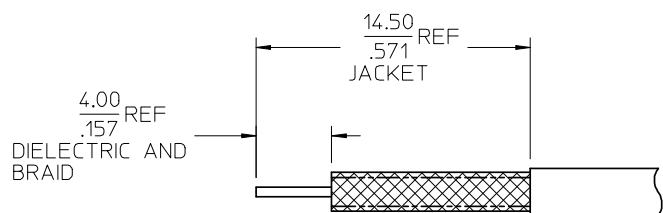
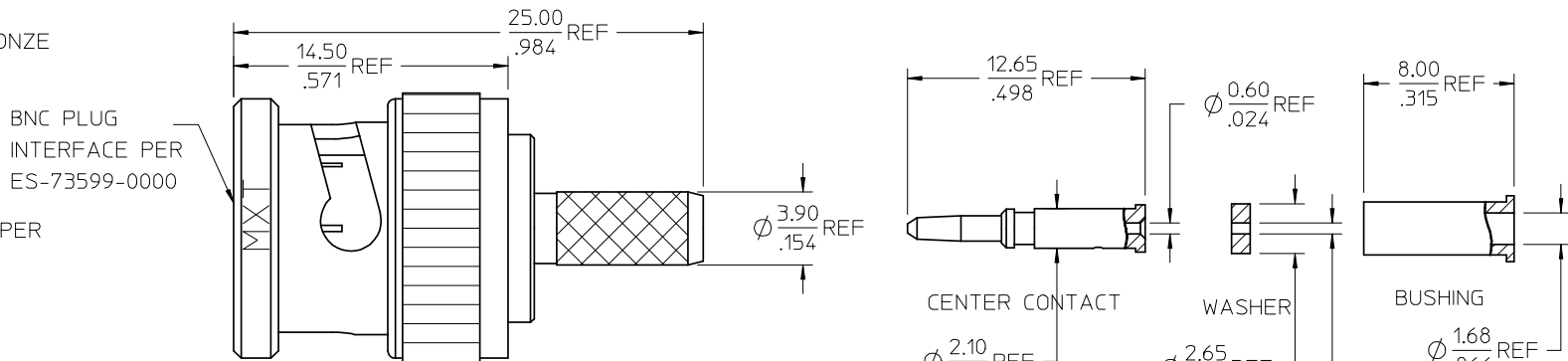
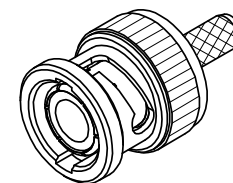
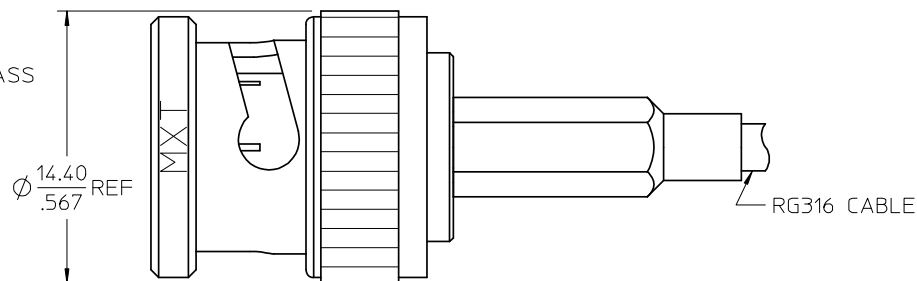
SPRING WASHER PHOSPHOR BRONZE
PLATED NICKEL

COUPLING NUT ZINC ALLOY
PLATED NICKEL

RETAINING RING BERYLLIUM COPPER
PLATED NICKEL

GASKET SILICONE RUBBER

CABLE ATTACHMENT:
CENTER CONDUCTOR: SOLDER/CRIMP USING 1.69 HEX
FERRULE: CRIMP USING 4.52 HEX



CABLE STRIP DIMENSIONS

AS-73597-0031	CABLE ASSY INSTRUCT.
PS-73598-0024	ELECTRO/MECH SPEC.
SPECIFICATION	DESCRIPTION

73171-3160	73174-0073, ONE PER BAG
73174-0073	INDIVIDUAL BAGS
PART NO.	PACKAGING

CHG: REMOVE KNURL FROM CONTACT VIEW WAS 3 PLACES
 EC NO: URF2008-0496
 DRWN: WIENER 2008/04/01
 CHKD: SHAH 2008/04/01
 APPR: WIENER 2008/04/01

QUALITY SYMBOLS	GENERAL TOLERANCES (UNLESS SPECIFIED)	DIMENSION STYLE	SCALE	DESIGN UNITS	THIRD ANGLE PROJECTION
▽=0	mm INCH	MM/IN	Metric	Metric	
▽=0	4 PLACES ± --- ± ---	DRAWN BY DATE	TITLE		
	3 PLACES ± --- ± ---	CHECKED BY DATE	BNC PLUG, STR FOR RG316		
	2 PLACES ± --- ± ---	APPROVED BY DATE	50 OHMS		
	1 PLACE ± --- ± ---	KHW 1993/03/15	BNC-PC		
	ANGULAR ± ---°	MATERIAL NO.	MOLEX INCORPORATED		
		SEE TABLE	SD-73174-0073		
	DRAFT WHERE APPLICABLE MUST REMAIN WITHIN DIMENSIONS	SIZE	SHEET NO.		
		C	1 OF 1		
			THIS DRAWING CONTAINS INFORMATION THAT IS PROPRIETARY TO MOLEX INCORPORATED AND SHOULD NOT BE USED WITHOUT WRITTEN PERMISSION		