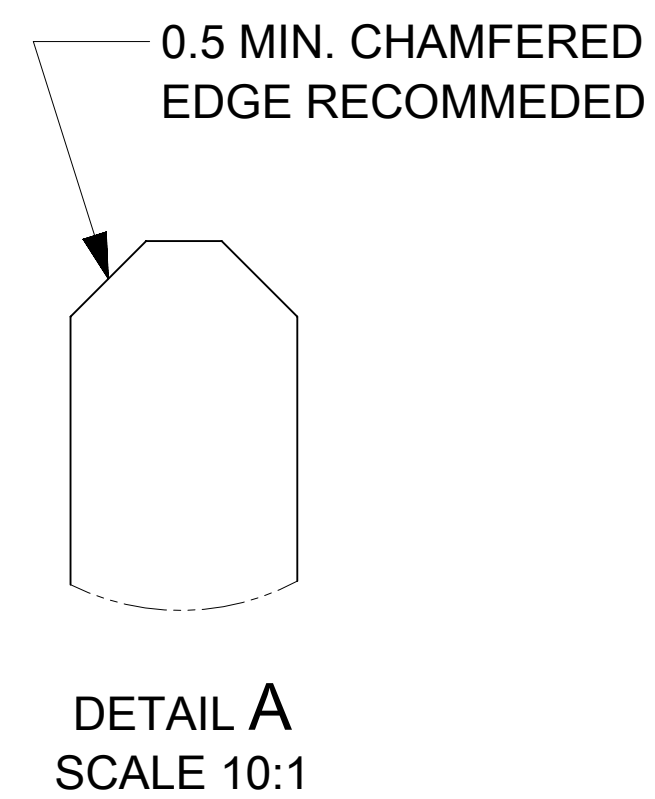
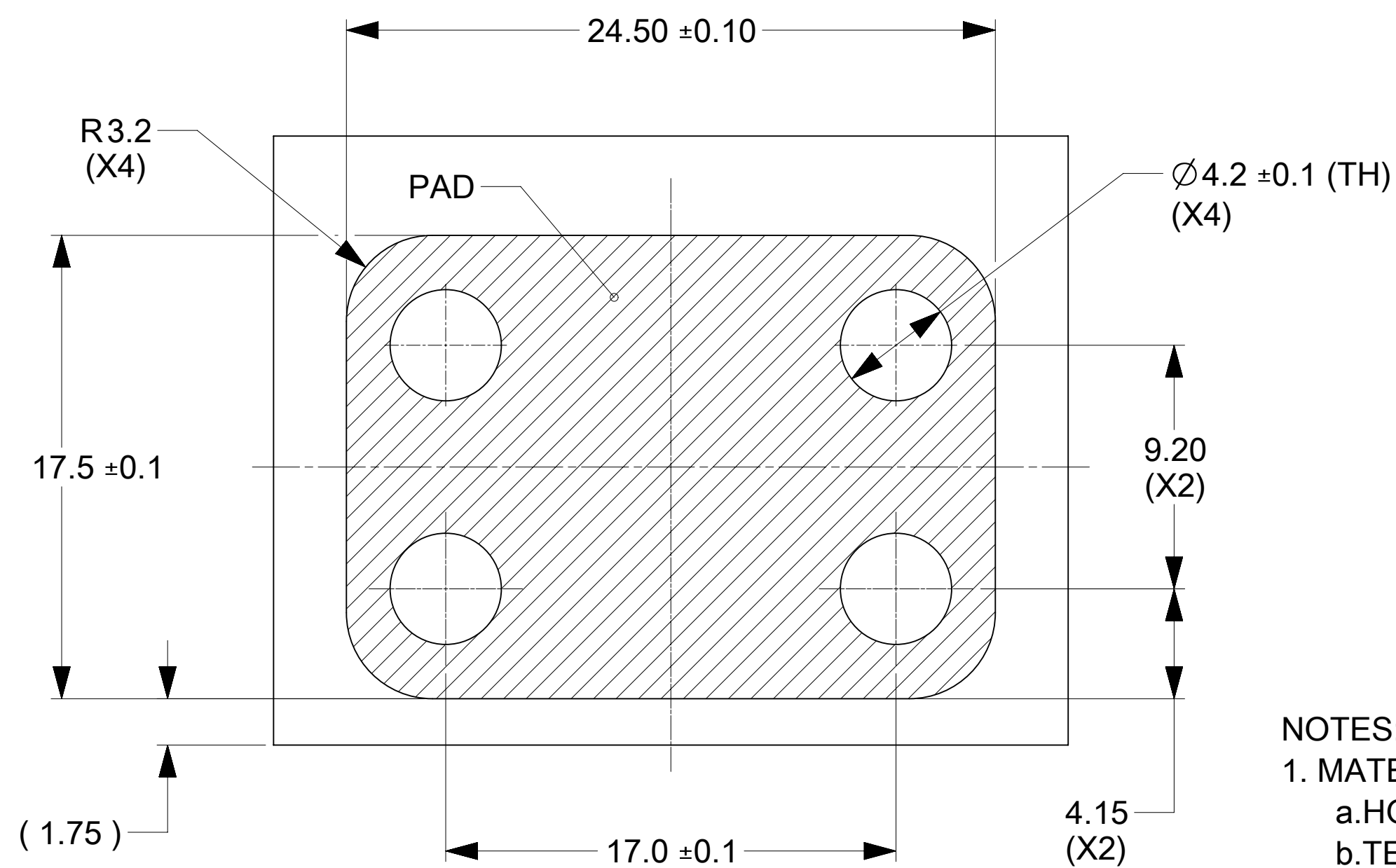


**PCB, BUSBAR, SCREWS AND NUTS  
IN THESE VIEWS ARE SHOWN FOR REFERENCE ONLY**



**NOTES:**

1. MATERIALS:
  - a. HOUSING BODY: POLYMER. UL94V-0; BLACK.
  - b. TERMINALS: COPPER ALLOY.
  - c. RIVET: COPPER ALLOY.
2. PLATING:
  - a. CONTACT AREAS: 3.18 MIN MICRON SILVER, OVER 1.27 MIN. MICRON NICKEL.
  - b. TAB AREAS: 3.18 MIN. MICRON TIN, OVER 1.27 MIN. MICRON NICKEL.
  - c. REST: 1.27 MIN. MICRON NICKEL OVERALL.
3. LUBRICATION: LUBED IN CONTACT AREA.
4. REFERENCE DOCUMENT: 2131910001-PS, 2131910001-AS
5. MODULE ASSEMBLY IS RoHS COMPLIANT.
6. FINAL ASSEMBLY TO BE PACKAGED AND LABELED PER PACKAGING DRAWING NUMBER 2131910003-PK.
7. MATED BUSBAR SHOULD BE PLATED WITH SILVER OVER NICKEL.

FUNCTIONAL SYMBOLS	THIS DRAWING CONTAINS INFORMATION THAT IS PROPRIETARY TO MOLEX ELECTRONIC TECHNOLOGIES, LLC AND SHOULD NOT BE USED WITHOUT WRITTEN PERMISSION		CURRENT REV DESC:	
	DIMENSION UNITS	SCALE		
$F_A = 0$	mm	5:1		
$F_C = 0$	GENERAL TOLERANCES (UNLESS SPECIFIED)			
$F_P = 0$	ANGULAR TOL	±	°	
DIVISIONAL SYMBOLS	4 PLACES	±		
	3 PLACES	±		
	2 PLACES	±	0.15	
	1 PLACE	±	0.25	
	0 PLACES	±		
DRAFT WHERE APPLICABLE MUST REMAIN WITHIN DIMENSIONS		THIRD ANGLE PROJECTION	DRAWING	SERIES
			D-SIZE	213191
		MATERIAL NUMBER		CUSTOMER
		2131910003		2131910003
DOCUMENT NUMBER		DOC TYPE	DOC PART	REVISION
2131910003-SD		PSD	000	A
SHEET NUMBER		1 OF 1		

**molex**

POWER PLANE BBC 10C RIGHT ANGLE

PRODUCT CUSTOMER DRAWING

EC NO: 689515  
 DRWN: TOMLU 2021/12/17  
 CHK'D: BPISZCZOR 2022/03/07  
 APPR: BPISZCZOR 2022/03/07  
 INITIAL REVISION:  
 DRWN: TOMLU 2021/04/19  
 APPR: BPISZCZOR 2022/03/07