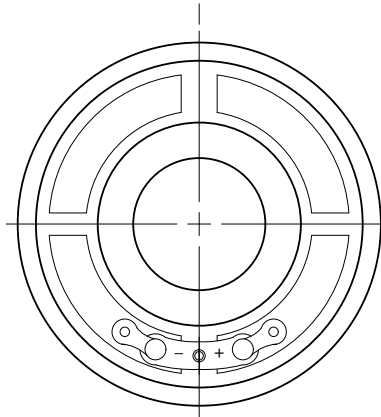
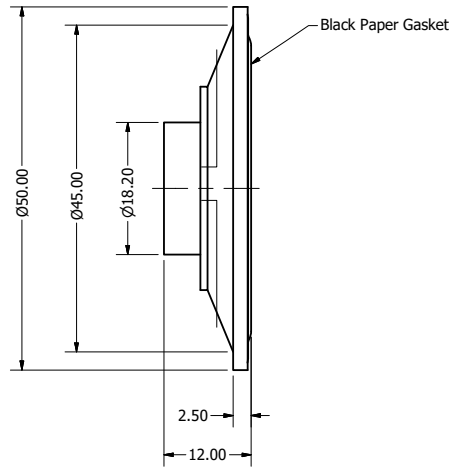


Part Number:	SP500508-1	
	DRAWN	12/6/2013
	CHECKED	12/14/2013
Description:	P.D	
	APPROVED	12/14/2013
Dynamic Speaker		J.S
<small>This document contains data proprietary to DB Unlimited. Any use or reproduction, in any form, without prior written permission of DB Unlimited is prohibited. All terms and conditions can be found at www.dbunlimitedco.com</small>		

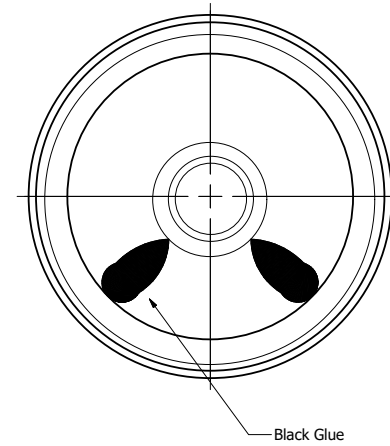
Bottom View



Side View



Top View



Items	Specifications	Conditions	REVISION HISTORY			
Sound Pressure Level	104± 3	dB (@ 10cm)	REV	DESCRIPTION	DATE	APPROVED
Resonant Frequency	550	Hz (±20%)	1	Released from Engineering	12/14/2013	J.S.
Frequency Range	550 ~ 4,500	Hz	2	Drawing updated to 2015 drawing format	9/4/2015	J.S
Nominal Power	1	W		Corrected resonant frequency and frequency range	5/22/2017	C.E.
Max. Power	1.5	W				
Impedance	8	Ω (±15%)				
Cone Material	Paper		NOTES			
Mount Type	Flush Mount		1) All dimensions are in mm unless otherwise noted			
Storage Temperature	-30 ~ +70	°C	2) All tolerances are ± 0.5 mm unless otherwise noted			
Operating Temperature	-20 ~ +60	°C	3) All parts meet RoHS			
Weight	16	g	4) Subject to change or redrawn without notice			