

The S-19243xxxA Series developed by using high-withstand voltage CMOS process technology, is a positive voltage regulator with high-accuracy output voltage and high output current.

A built-in overcurrent protection circuit to limit overcurrent of the output transistor and a built-in thermal shutdown circuit to limit heat are included. In addition to the type in which output voltage is set inside the IC, the type for which output voltage can be set via an external resistor is added to a lineup. Also, the S-19243xxxA Series includes the soft-start function to adjust the output voltage rising time at power-on or at the time when the ON / OFF pin is set to ON.

ABLIC Inc. offers a "thermal simulation service" which supports the thermal design in conditions when our power management ICs are in use by customers. Our thermal simulation service will contribute to reducing the risk in the thermal design at customers' development stage.

ABLIC Inc. also offers FIT rate calculated based on actual customer usage conditions in order to support customer functional safety design.

Contact our sales representatives for details.

Caution This product can be used in vehicle equipment and in-vehicle equipment. Before using the product for these purposes, it is imperative to contact our sales representatives.

■ Features

- Output voltage (internally set): 0.9 V to 6.0 V, selectable in 0.05 V step
- Output voltage (externally set): 1.0 V to 9.0 V, settable via external resistor (HSOP-8A, HSOP-6 and HSNT-8(2030) only)
- Input voltage: 2.5 V to 10.0 V
- Output voltage accuracy: $\pm 2.3\%$ ($T_j = -40^\circ\text{C}$ to $+125^\circ\text{C}$)
- Dropout voltage: 0.09 V typ. (2.6 V output product, at $I_{\text{OUT}} = 200$ mA)
- Current consumption: During operation: 120 μA typ., 150 μA max. ($T_j = -40^\circ\text{C}$ to $+150^\circ\text{C}$)
During power-off: 0.1 μA typ., 10.5 μA max. ($T_j = -40^\circ\text{C}$ to $+125^\circ\text{C}$)
- Output current: Possible to output 500 mA (at $V_{\text{IN}} \geq V_{\text{OUT(S)}} + 1.0$ V)^{*1}
- Ripple rejection: 60 dB typ. (at $f = 1.0$ kHz)
- Built-in overcurrent protection circuit: Limits overcurrent of output transistor.
- Built-in thermal shutdown circuit: Detection temperature 170°C typ.
- Built-in soft-start circuit: Adjusts output voltage rising time at power-on or at the time when ON / OFF pin is set to ON.
Adjustable type: E / F / G / H type, $t_{\text{SS}} = 6.0$ ms typ. ($C_{\text{SS}} = 10$ nF)
Soft-start time can be changed by the capacitor (C_{SS}).
Fixed type: A / B / C / D type: Fixed to $t_{\text{SS}} = 1.0$ ms typ.
- Built-in ON / OFF circuit: Ensures long battery life
Discharge shunt function "available" / "unavailable" is selectable.
Pull-down function "available" / "unavailable" is selectable.
- Operation temperature range: $T_a = -40^\circ\text{C}$ to $+125^\circ\text{C}$
- Lead-free (Sn 100%), halogen-free
- AEC-Q100 qualified^{*2}

*1. Please make sure that the loss of the IC will not exceed the power dissipation when the output current is large.

*2. Contact our sales representatives for details.

■ Applications

- Constant-voltage power supply for electrical application for vehicle interior
- Constant-voltage power supply for home electric appliance
- For automotive use (engine, transmission, suspension, ABS, related-devices for EV / HEV / PHEV, etc.)

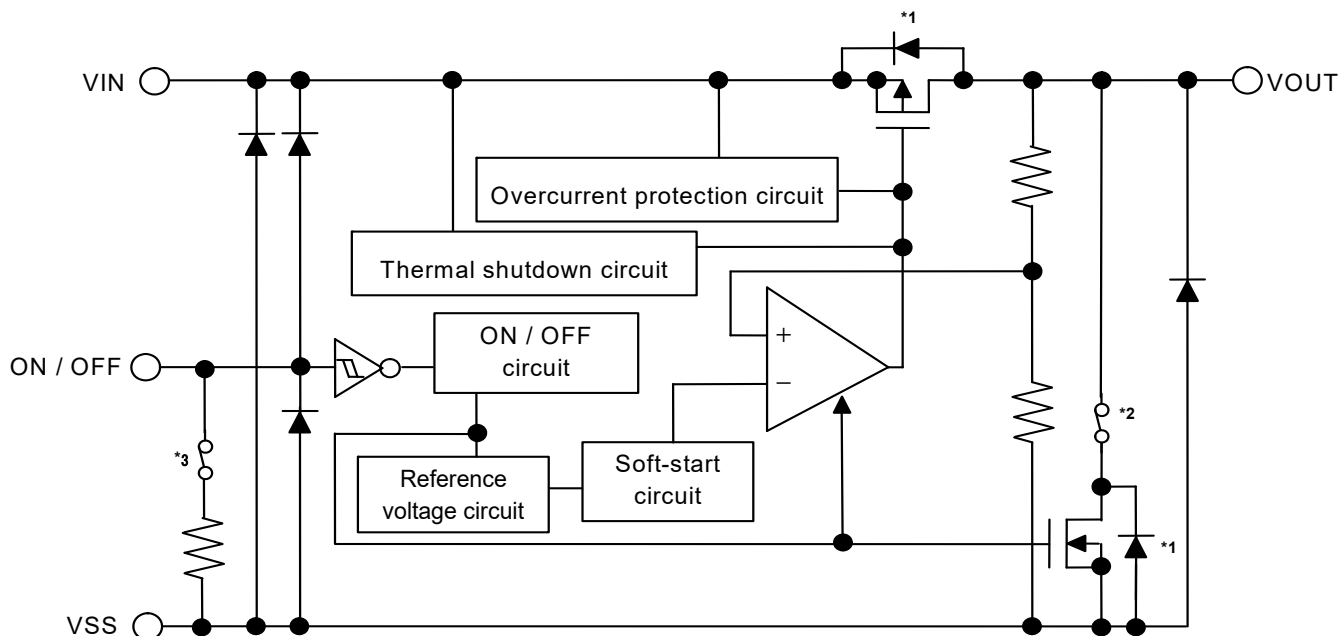
■ Packages

- TO-252-5S(A)
- HSOP-8A
- HSOP-6
- SOT-89-5
- HSNT-8(2030)

■ **Block Diagrams**

1. Types in which output voltage is internally set

1.1 S-19243xxxA Series A / B / C / D type (HSOP-8A, HSOP-6, SOT-89-5, HSNT-8(2030))



Product Type	ON / OFF Logic	Soft-start Time	Discharge Shunt Function*2	Pull-down Resistor*3
A	Active "H"	Fixed to $t_{ss} = 1.0 \text{ ms typ.}$	Available	Available
B	Active "H"	Fixed to $t_{ss} = 1.0 \text{ ms typ.}$	Available	Unavailable
C	Active "H"	Fixed to $t_{ss} = 1.0 \text{ ms typ.}$	Unavailable	Available
D	Active "H"	Fixed to $t_{ss} = 1.0 \text{ ms typ.}$	Unavailable	Unavailable

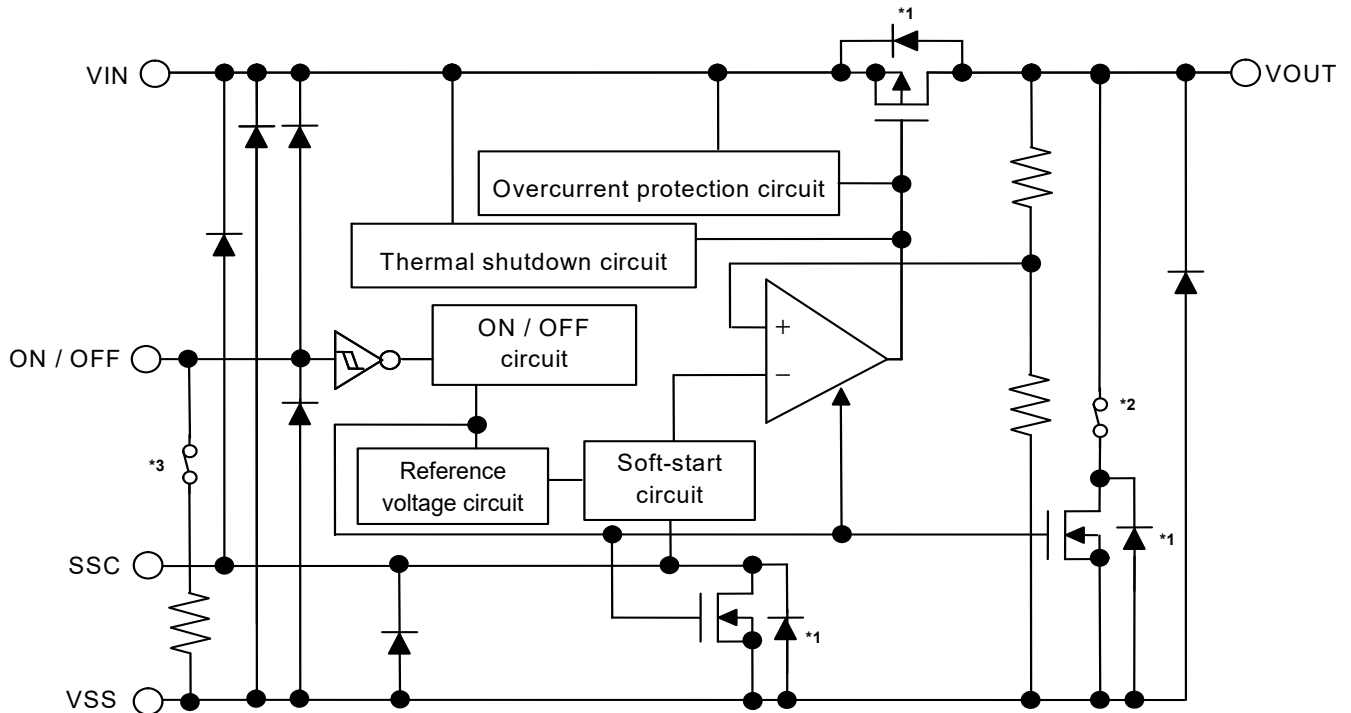
*1. Parasitic diode

*2. A / B type (With discharge shunt function): ON, C / D type (Without discharge shunt function): OFF

*3. A / C type (With pull-down resistor): ON, B / D type (Without pull-down resistor): OFF

Figure 1

1.2 S-19243xxxA Series E / F / G / H type (TO-252-5S(A), HSOP-8A, HSOP-6, SOT-89-5, HSNT-8(2030))



Product Type	ON / OFF Logic	Soft-start Time	Discharge Shunt Function ^{*2}	Pull-down Resistor ^{*3}
E	Active "H"	Changeable by capacitor (C_{SS})	Available	Available
F	Active "H"	Changeable by capacitor (C_{SS})	Available	Unavailable
G	Active "H"	Changeable by capacitor (C_{SS})	Unavailable	Available
H	Active "H"	Changeable by capacitor (C_{SS})	Unavailable	Unavailable

*1. Parasitic diode

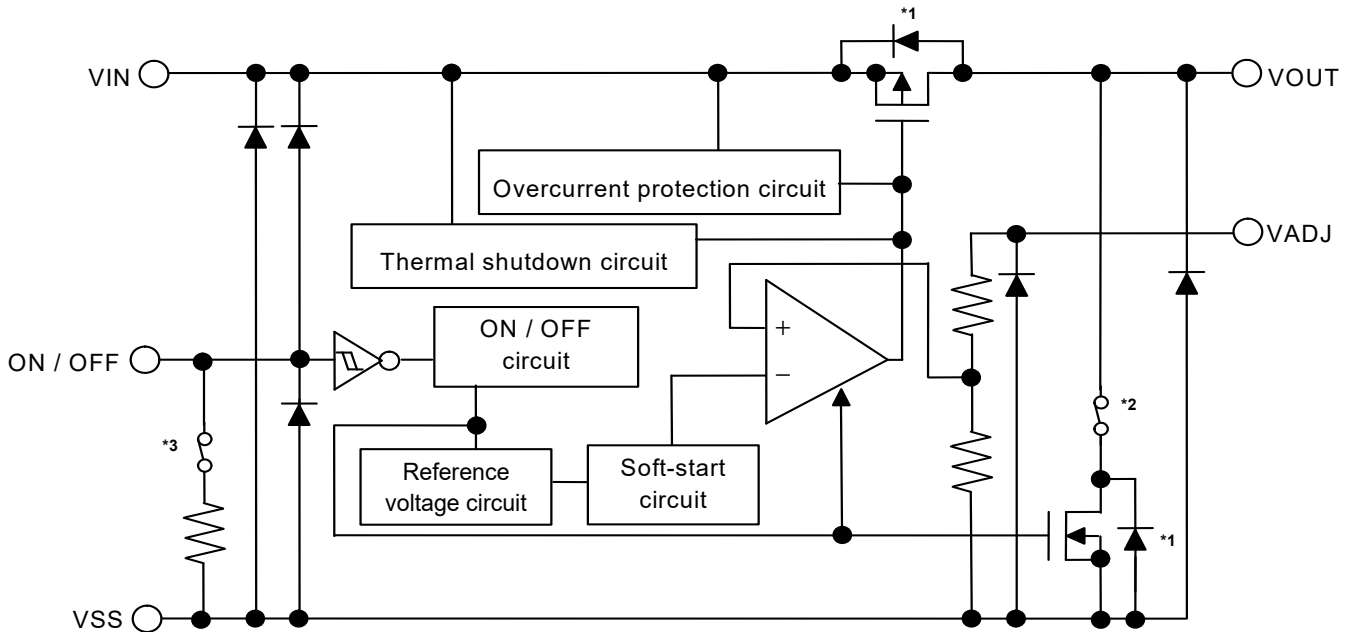
*2. E / F type (With discharge shunt function): ON, G / H type (Without discharge shunt function): OFF

*3. E / G type (With pull-down resistor): ON, F / H type (Without pull-down resistor): OFF

Figure 2

2. Types in which output voltage is externally set

2.1 S-19243xxxA Series A / B / C / D type (HSOP-6)



Product Type	ON / OFF Logic	Soft-start Time	Discharge Shunt Function*2	Pull-down Resistor*3
A	Active "H"	Fixed to $t_{ss} = 1.0 \text{ ms typ.}$	Available	Available
B	Active "H"	Fixed to $t_{ss} = 1.0 \text{ ms typ.}$	Available	Unavailable
C	Active "H"	Fixed to $t_{ss} = 1.0 \text{ ms typ.}$	Unavailable	Available
D	Active "H"	Fixed to $t_{ss} = 1.0 \text{ ms typ.}$	Unavailable	Unavailable

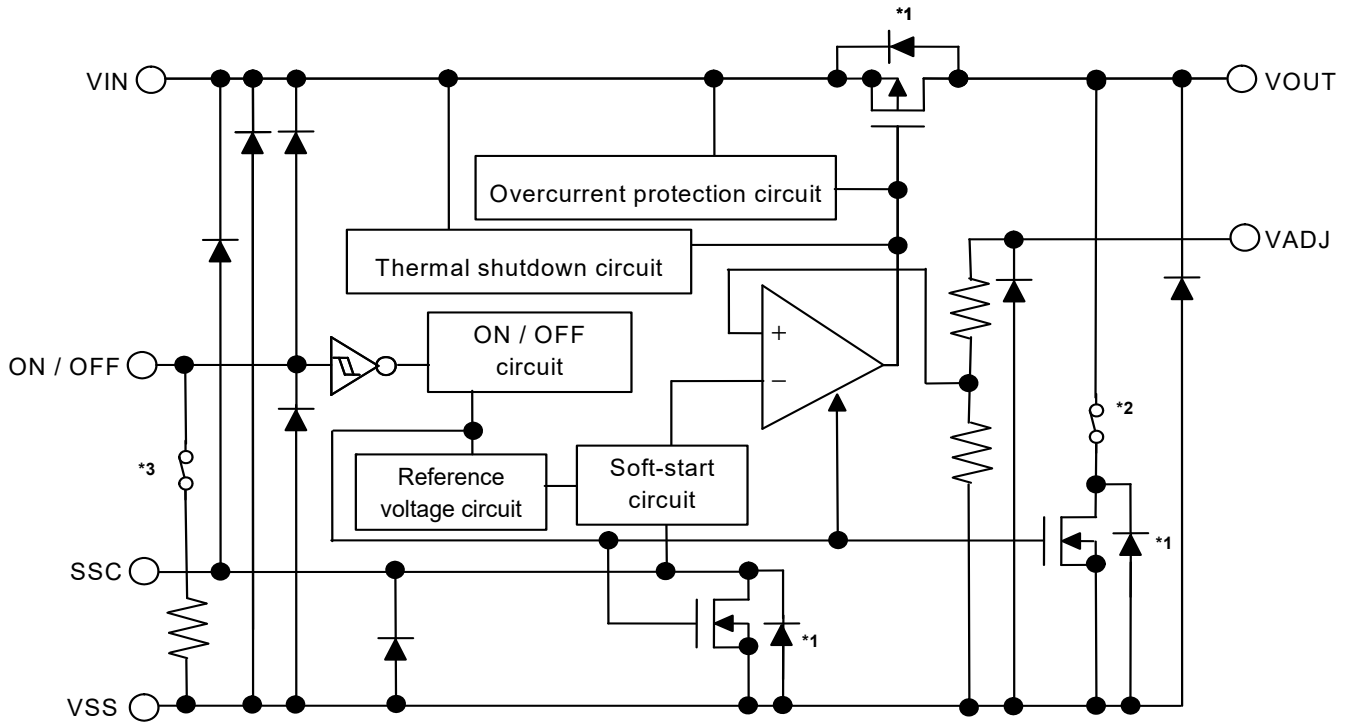
*1. Parasitic diode

*2. A / B type (With discharge shunt function): ON, C / D type (Without discharge shunt function): OFF

*3. A / C type (With pull-down resistor): ON, B / D type (Without pull-down resistor): OFF

Figure 3

2.2 S-19243xxxA Series E / F / G / H type (HSOP-8A, HSNT-8(2030))



Product Type	ON / OFF Logic	Soft-start Time	Discharge Shunt Function ^{*2}	Pull-down Resistor ^{*3}
E	Active "H"	Changeable by capacitor (C_{SS})	Available	Available
F	Active "H"	Changeable by capacitor (C_{SS})	Available	Unavailable
G	Active "H"	Changeable by capacitor (C_{SS})	Unavailable	Available
H	Active "H"	Changeable by capacitor (C_{SS})	Unavailable	Unavailable

*1. Parasitic diode

*2. E / F type (With discharge shunt function): ON, G / H type (Without discharge shunt function): OFF

*3. E / G type (With pull-down resistor): ON, F / H type (Without pull-down resistor): OFF

Figure 4

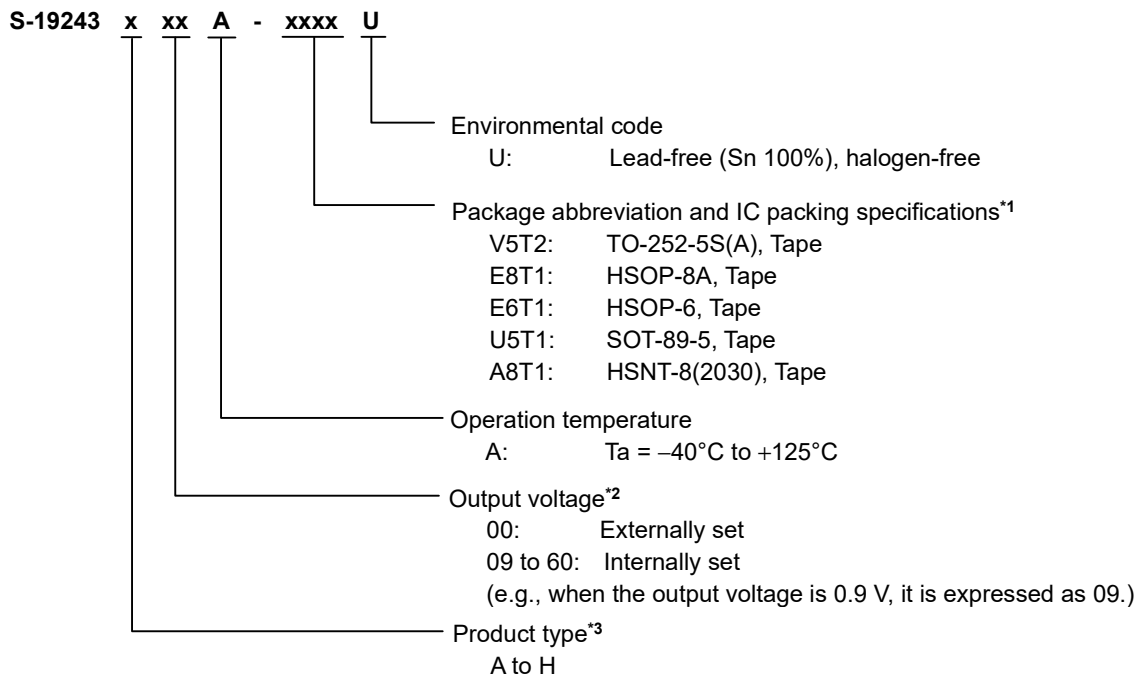
■ **AEC-Q100 Qualified**

This IC supports AEC-Q100 for operation temperature grade 1.
 Contact our sales representatives for details of AEC-Q100 reliability specification.

■ **Product Name Structure**

Users can select the product type, output voltage and package type for the S-19243xxxA Series. Refer to "1. **Product name**" regarding the contents of product name, "2. **Function list of product type**" regarding the product type, "3. **Packages**" regarding the package drawings and "4. **Product name list**" for details of product names.

1. **Product name**



*1. Refer to the tape drawing.

*2. If you request the product which has 0.05 V step, contact our sales representatives.

*3. Refer to "2. **Function list of product type**".

2. Function list of product type

Table 1

Product Type	ON / OFF Logic	Soft-start Time	Discharge Shunt Function	Pull-down Resistor	Output Voltage	Package
A	Active "H"	Fixed to $t_{SS} = 1.0 \text{ ms typ.}^{*1}$	Available	Available	Internally set	HSOP-8A, HSOP-6, SOT-89-5, HSNT-8(2030)
					Externally set	HSOP-6
B	Active "H"	Fixed to $t_{SS} = 1.0 \text{ ms typ.}^{*1}$	Available	Unavailable	Internally set	HSOP-8A, HSOP-6, SOT-89-5, HSNT-8(2030)
					Externally set	HSOP-6
C	Active "H"	Fixed to $t_{SS} = 1.0 \text{ ms typ.}^{*1}$	Unavailable	Available	Internally set	HSOP-8A, HSOP-6, SOT-89-5, HSNT-8(2030)
					Externally set	HSOP-6
D	Active "H"	Fixed to $t_{SS} = 1.0 \text{ ms typ.}^{*1}$	Unavailable	Unavailable	Internally set	HSOP-8A, HSOP-6, SOT-89-5, HSNT-8(2030)
					Externally set	HSOP-6
E	Active "H"	Changeable by the capacitor (C_{SS})	Available	Available	Internally set	TO-252-5S(A), HSOP-8A, HSOP-6, SOT-89-5, HSNT-8(2030)
					Externally set	HSOP-8A, HSNT-8(2030)
F	Active "H"	Changeable by the capacitor (C_{SS})	Available	Unavailable	Internally set	TO-252-5S(A), HSOP-8A, HSOP-6, SOT-89-5, HSNT-8(2030)
					Externally set	HSOP-8A, HSNT-8(2030)
G	Active "H"	Changeable by the capacitor (C_{SS})	Unavailable	Available	Internally set	TO-252-5S(A), HSOP-8A, HSOP-6, SOT-89-5, HSNT-8(2030)
					Externally set	HSOP-8A, HSNT-8(2030)
H	Active "H"	Changeable by the capacitor (C_{SS})	Unavailable	Unavailable	Internally set	TO-252-5S(A), HSOP-8A, HSOP-6, SOT-89-5, HSNT-8(2030)
					Externally set	HSOP-8A, HSNT-8(2030)

*1. The soft-start time (t_{SS}) is fixed to 1.0 ms typ. that cannot be changed.

3. Packages

Table 2 Package Drawing Codes

Package Name	Dimension	Tape	Reel	Land
TO-252-5S(A)	VA005-A-P-SD	VA005-A-C-SD	VA005-A-R-SD	VA005-A-L-SD
HSOP-8A	FH008-A-P-SD	FH008-A-C-SD	FH008-A-R-SD	FH008-A-L-SD
HSOP-6	FH006-A-P-SD	FH006-A-C-SD	FH006-A-R-S1	FH006-A-L-SD
SOT-89-5	UP005-A-P-SD	UP005-A-C-SD	UP005-A-R-SD	-
HSNT-8(2030)	PP008-A-P-SD	PP008-A-C-SD	PP008-A-R-SD	PP008-A-L-SD

4. Product name list

4.1 S-19243xxxA Series A type

ON / OFF logic : Active "H" Discharge shunt function : Available
 Pull-down resistor : Available Soft-start time : Fixed to $t_{SS} = 1.0$ ms typ.

Table 3

Output Voltage	HSOP-8A	HSOP-6	SOT-89-5	HSNT-8(2030)
Externally set	–	S-19243A00A-E6T1U	–	–
1.2 V \pm 2.3%	S-19243A12A-E8T1U	S-19243A12A-E6T1U	S-19243A12A-U5T1U	S-19243A12A-A8T1U
1.8 V \pm 2.3%	S-19243A18A-E8T1U	S-19243A18A-E6T1U	S-19243A18A-U5T1U	S-19243A18A-A8T1U
3.3 V \pm 2.3%	S-19243A33A-E8T1U	S-19243A33A-E6T1U	S-19243A33A-U5T1U	S-19243A33A-A8T1U
5.0 V \pm 2.3%	S-19243A50A-E8T1U	S-19243A50A-E6T1U	S-19243A50A-U5T1U	S-19243A50A-A8T1U

Remark Please contact our sales representatives for products other than the above.

4.2 S-19243xxxA Series B type

ON / OFF logic : Active "H" Discharge shunt function : Available
 Pull-down resistor : Unavailable Soft-start time : Fixed to $t_{SS} = 1.0$ ms typ.

Table 4

Output Voltage	HSOP-8A	HSOP-6	SOT-89-5	HSNT-8(2030)
Externally set	–	S-19243B00A-E6T1U	–	–
1.2 V \pm 2.3%	S-19243B12A-E8T1U	S-19243B12A-E6T1U	S-19243B12A-U5T1U	S-19243B12A-A8T1U
1.8 V \pm 2.3%	S-19243B18A-E8T1U	S-19243B18A-E6T1U	S-19243B18A-U5T1U	S-19243B18A-A8T1U
3.3 V \pm 2.3%	S-19243B33A-E8T1U	S-19243B33A-E6T1U	S-19243B33A-U5T1U	S-19243B33A-A8T1U
5.0 V \pm 2.3%	S-19243B50A-E8T1U	S-19243B50A-E6T1U	S-19243B50A-U5T1U	S-19243B50A-A8T1U

Remark Please contact our sales representatives for products other than the above.

4.3 S-19243xxxA Series C type

ON / OFF logic : Active "H" Discharge shunt function : Unavailable
 Pull-down resistor : Available Soft-start time : Fixed to $t_{SS} = 1.0$ ms typ.

Table 5

Output Voltage	HSOP-8A	HSOP-6	SOT-89-5	HSNT-8(2030)
Externally set	–	S-19243C00A-E6T1U	–	–
1.2 V \pm 2.3%	S-19243C12A-E8T1U	S-19243C12A-E6T1U	S-19243C12A-U5T1U	S-19243C12A-A8T1U
1.8 V \pm 2.3%	S-19243C18A-E8T1U	S-19243C18A-E6T1U	S-19243C18A-U5T1U	S-19243C18A-A8T1U
3.3 V \pm 2.3%	S-19243C33A-E8T1U	S-19243C33A-E6T1U	S-19243C33A-U5T1U	S-19243C33A-A8T1U
5.0 V \pm 2.3%	S-19243C50A-E8T1U	S-19243C50A-E6T1U	S-19243C50A-U5T1U	S-19243C50A-A8T1U

Remark Please contact our sales representatives for products other than the above.

4.4 S-19243xxxA Series D type

ON / OFF logic : Active "H" Discharge shunt function : Unavailable
 Pull-down resistor : Unavailable Soft-start time : Fixed to $t_{SS} = 1.0$ ms typ.

Table 6

Output Voltage	HSOP-8A	HSOP-6	SOT-89-5	HSNT-8(2030)
Externally set	–	S-19243D00A-E6T1U	–	–
1.2 V \pm 2.3%	S-19243D12A-E8T1U	S-19243D12A-E6T1U	S-19243D12A-U5T1U	S-19243D12A-A8T1U
1.8 V \pm 2.3%	S-19243D18A-E8T1U	S-19243D18A-E6T1U	S-19243D18A-U5T1U	S-19243D18A-A8T1U
3.3 V \pm 2.3%	S-19243D33A-E8T1U	S-19243D33A-E6T1U	S-19243D33A-U5T1U	S-19243D33A-A8T1U
5.0 V \pm 2.3%	S-19243D50A-E8T1U	S-19243D50A-E6T1U	S-19243D50A-U5T1U	S-19243D50A-A8T1U

Remark Please contact our sales representatives for products other than the above.

AUTOMOTIVE, 125°C OPERATION, 10 V INPUT, 500 mA VOLTAGE REGULATOR WITH SOFT-START FUNCTION
Rev.3.4_00 **S-19243xxxA Series**

4.5 S-19243xxxA Series E type

ON / OFF logic : Active "H"	Discharge shunt function : Available
Pull-down resistor : Available	Soft-start time : Changeable by C _{SS}

Table 7

Output Voltage	TO-252-5S(A)	HSOP-8A	HSOP-6	SOT-89-5	HSNT-8(2030)
Externally set	-	S-19243E00A-E8T1U	-	-	S-19243E00A-A8T1U
1.2 V ± 2.3%	S-19243E12A-V5T2U	S-19243E12A-E8T1U	S-19243E12A-E6T1U	S-19243E12A-U5T1U	S-19243E12A-A8T1U
1.8 V ± 2.3%	S-19243E18A-V5T2U	S-19243E18A-E8T1U	S-19243E18A-E6T1U	S-19243E18A-U5T1U	S-19243E18A-A8T1U
3.3 V ± 2.3%	S-19243E33A-V5T2U	S-19243E33A-E8T1U	S-19243E33A-E6T1U	S-19243E33A-U5T1U	S-19243E33A-A8T1U
5.0 V ± 2.3%	S-19243E50A-V5T2U	S-19243E50A-E8T1U	S-19243E50A-E6T1U	S-19243E50A-U5T1U	S-19243E50A-A8T1U

Remark Please contact our sales representatives for products other than the above.

4.6 S-19243xxxA Series F type

ON / OFF logic : Active "H"	Discharge shunt function : Available
Pull-down resistor : Unavailable	Soft-start time : Changeable by C _{SS}

Table 8

Output Voltage	TO-252-5S(A)	HSOP-8A	HSOP-6	SOT-89-5	HSNT-8(2030)
Externally set	-	S-19243F00A-E8T1U	-	-	S-19243F00A-A8T1U
1.2 V ± 2.3%	S-19243F12A-V5T2U	S-19243F12A-E8T1U	S-19243F12A-E6T1U	S-19243F12A-U5T1U	S-19243F12A-A8T1U
1.8 V ± 2.3%	S-19243F18A-V5T2U	S-19243F18A-E8T1U	S-19243F18A-E6T1U	S-19243F18A-U5T1U	S-19243F18A-A8T1U
3.3 V ± 2.3%	S-19243F33A-V5T2U	S-19243F33A-E8T1U	S-19243F33A-E6T1U	S-19243F33A-U5T1U	S-19243F33A-A8T1U
5.0 V ± 2.3%	S-19243F50A-V5T2U	S-19243F50A-E8T1U	S-19243F50A-E6T1U	S-19243F50A-U5T1U	S-19243F50A-A8T1U

Remark Please contact our sales representatives for products other than the above.

4.7 S-19243xxxA Series G type

ON / OFF logic : Active "H"	Discharge shunt function : Unavailable
Pull-down resistor : Available	Soft-start time : Changeable by C _{SS}

Table 9

Output Voltage	TO-252-5S(A)	HSOP-8A	HSOP-6	SOT-89-5	HSNT-8(2030)
Externally set	-	S-19243G00A-E8T1U	-	-	S-19243G00A-A8T1U
1.2 V ± 2.3%	S-19243G12A-V5T2U	S-19243G12A-E8T1U	S-19243G12A-E6T1U	S-19243G12A-U5T1U	S-19243G12A-A8T1U
1.8 V ± 2.3%	S-19243G18A-V5T2U	S-19243G18A-E8T1U	S-19243G18A-E6T1U	S-19243G18A-U5T1U	S-19243G18A-A8T1U
3.3 V ± 2.3%	S-19243G33A-V5T2U	S-19243G33A-E8T1U	S-19243G33A-E6T1U	S-19243G33A-U5T1U	S-19243G33A-A8T1U
5.0 V ± 2.3%	S-19243G50A-V5T2U	S-19243G50A-E8T1U	S-19243G50A-E6T1U	S-19243G50A-U5T1U	S-19243G50A-A8T1U

Remark Please contact our sales representatives for products other than the above.

4.8 S-19243xxxA Series H type

ON / OFF logic : Active "H"	Discharge shunt function : Unavailable
Pull-down resistor : Unavailable	Soft-start time : Changeable by C _{SS}

Table 10

Output Voltage	TO-252-5S(A)	HSOP-8A	HSOP-6	SOT-89-5	HSNT-8(2030)
Externally set	-	S-19243H00A-E8T1U	-	-	S-19243H00A-A8T1U
1.2 V ± 2.3%	S-19243H12A-V5T2U	S-19243H12A-E8T1U	S-19243H12A-E6T1U	S-19243H12A-U5T1U	S-19243H12A-A8T1U
1.8 V ± 2.3%	S-19243H18A-V5T2U	S-19243H18A-E8T1U	S-19243H18A-E6T1U	S-19243H18A-U5T1U	S-19243H18A-A8T1U
3.3 V ± 2.3%	S-19243H33A-V5T2U	S-19243H33A-E8T1U	S-19243H33A-E6T1U	S-19243H33A-U5T1U	S-19243H33A-A8T1U
5.0 V ± 2.3%	S-19243H50A-V5T2U	S-19243H50A-E8T1U	S-19243H50A-E6T1U	S-19243H50A-U5T1U	S-19243H50A-A8T1U

Remark Please contact our sales representatives for products other than the above.

■ Pin Configurations

1. TO-252-5S(A)

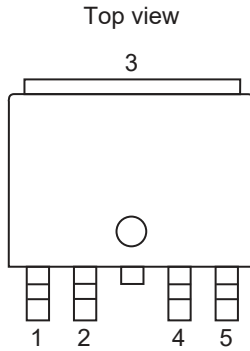


Figure 5

Table 11 S-19243xxxA Series E / F / G / H Type,
Types in Which Output Voltage is Internally Set^{*1}

Pin No.	Symbol	Description
1	VOUT	Output voltage pin
2	ON / OFF	ON / OFF pin
3	VSS	GND pin
4	SSC ^{*2}	Soft-start pin
5	VIN	Input voltage pin

*1. Types in which output voltage is externally set are unavailable.

*2. Connect a capacitor between the SSC pin and the VSS pin.

The soft-start time at power-on and at the time when the ON / OFF pin is set to ON can be adjusted according to the capacitance.

2. HSOP-8A

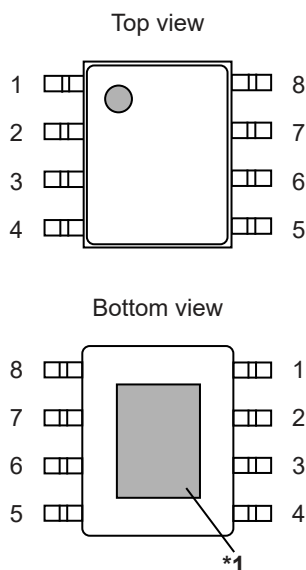


Figure 6

Table 12 S-19243xxxA Series A / B / C / D Type, Types in Which Output Voltage is Internally Set

Pin No.	Symbol	Description
1	VOUT ^{*2}	Output voltage pin
2	VOUT ^{*2}	Output voltage pin
3	VSS	GND pin
4	NC ^{*3}	No connection
5	ON / OFF	ON / OFF pin
6	NC ^{*3}	No connection
7	NC ^{*3}	No connection
8	VIN	Input voltage pin

Table 13 S-19243xxxA Series E / F / G / H Type, Types in Which Output Voltage is Internally Set

Pin No.	Symbol	Description
1	VOUT	Output voltage pin
2	NC ^{*3}	No connection
3	VSS	GND pin
4	ON / OFF	ON / OFF pin
5	SSC ^{*4}	Soft-start pin
6	NC ^{*3}	No connection
7	NC ^{*3}	No connection
8	VIN	Input voltage pin

Table 14 S-19243xxxA Series E / F / G / H Type, Types in Which Output Voltage is Externally Set

Pin No.	Symbol	Description
1	VOUT	Output voltage pin
2	VADJ	Output voltage adjustment pin
3	VSS	GND pin
4	ON / OFF	ON / OFF pin
5	SSC ^{*4}	Soft-start pin
6	NC ^{*3}	No connection
7	NC ^{*3}	No connection
8	VIN	Input voltage pin

- *1. Connect the heat sink of backside at shadowed area to the board, and set electric potential GND. However, do not use it as the function of electrode.
- *2. Although pins of number 1 and 2 are connected internally, be sure to short-circuit them nearest in use.
- *3. The NC pin is electrically open.
The NC pin can be connected to the VIN pin or the VSS pin.
- *4. Connect a capacitor between the SSC pin and the VSS pin.
The soft-start time at power-on and at the time when the ON / OFF pin is set to ON can be adjusted according to the capacitance.

3. HSOP-6

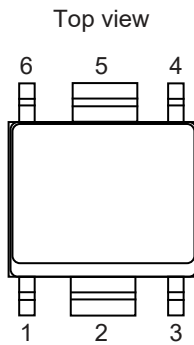


Figure 7

**Table 15 S-19243xxxA Series A / B / C / D Type,
Types in Which Output Voltage is Internally Set**

Pin No.	Symbol	Description
1	VOUT	Output voltage pin
2	VSS	GND pin
3	ON / OFF	ON / OFF pin
4	NC ^{*1}	No connection
5	VSS	GND pin
6	VIN	Input voltage pin

**Table 16 S-19243xxxA Series E / F / G / H Type,
Types in Which Output Voltage is Internally Set**

Pin No.	Symbol	Description
1	VOUT	Output voltage pin
2	VSS	GND pin
3	ON / OFF	ON / OFF pin
4	SSC ^{*2}	Soft-start pin
5	VSS	GND pin
6	VIN	Input voltage pin

**Table 17 S-19243xxxA Series A / B / C / D Type,
Types in Which Output Voltage is Externally Set**

Pin No.	Symbol	Description
1	VOUT	Output voltage pin
2	VSS	GND pin
3	VADJ	Output voltage adjustment pin
4	ON / OFF	ON / OFF pin
5	VSS	GND pin
6	VIN	Input voltage pin

*1. The NC pin is electrically open.

The NC pin can be connected to the VIN pin or the VSS pin.

*2. Connect a capacitor between the SSC pin and the VSS pin.

The soft-start time at power-on and at the time when the ON / OFF pin is set to ON can be adjusted according to the capacitance.

4. SOT-89-5

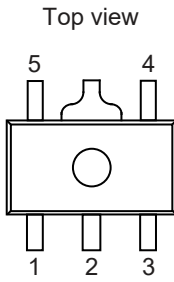


Figure 8

Table 18 S-19243xxxA Series A / B / C / D Type,
 Types in Which Output Voltage is Internally Set^{*1}

Pin No.	Symbol	Description
1	ON / OFF	ON / OFF pin
2	VSS	GND pin
3	NC ^{*2}	No connection
4	VIN	Input voltage pin
5	VOUT	Output voltage pin

Table 19 S-19243xxxA Series E / F / G / H Type,
 Types in Which Output Voltage is Internally Set^{*1}

Pin No.	Symbol	Description
1	ON / OFF	ON / OFF pin
2	VSS	GND pin
3	SSC ^{*3}	Soft-start pin
4	VIN	Input voltage pin
5	VOUT	Output voltage pin

- *1. Types in which output voltage is externally set are unavailable.
- *2. The NC pin is electrically open.
 The NC pin can be connected to the VIN pin or the VSS pin.
- *3. Connect a capacitor between the SSC pin and the VSS pin.
 The soft-start time at power-on and at the time when the ON / OFF pin is set to ON can be adjusted according to the capacitance.

5. HSNT-8(2030)

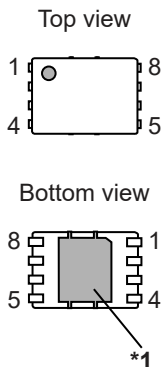


Figure 9

**Table 20 S-19243xxxA Series A / B / C / D Type,
Types in Which Output Voltage is Internally Set**

Pin No.	Symbol	Description
1	VOUT ^{*2}	Output voltage pin
2	VOUT ^{*2}	Output voltage pin
3	VSS	GND pin
4	NC ^{*3}	No connection
5	ON / OFF	ON / OFF pin
6	NC ^{*3}	No connection
7	NC ^{*3}	No connection
8	VIN	Input voltage pin

**Table 21 S-19243xxxA Series E / F / G / H Type,
Types in Which Output Voltage is Internally Set**

Pin No.	Symbol	Description
1	VOUT ^{*2}	Output voltage pin
2	VOUT ^{*2}	Output voltage pin
3	VSS	GND pin
4	ON / OFF	ON / OFF pin
5	SSC ^{*4}	Soft-start pin
6	NC ^{*3}	No connection
7	NC ^{*3}	No connection
8	VIN	Input voltage pin

**Table 22 S-19243xxxA Series E / F / G / H Type,
Types in Which Output Voltage is Externally Set**

Pin No.	Symbol	Description
1	VOUT	Output voltage pin
2	VADJ	Output voltage adjustment pin
3	VSS	GND pin
4	ON / OFF	ON / OFF pin
5	SSC ^{*4}	Soft-start pin
6	NC ^{*3}	No connection
7	NC ^{*3}	No connection
8	VIN	Input voltage pin

- *1. Connect the heat sink of backside at shadowed area to the board, and set electric potential GND. However, do not use it as the function of electrode.
- *2. Although pins of number 1 and 2 are connected internally, be sure to short-circuit them nearest in use.
- *3. The NC pin is electrically open.
The NC pin can be connected to the VIN pin or the VSS pin.
- *4. Connect a capacitor between the SSC pin and the VSS pin.
The soft-start time at power-on and at the time when the ON / OFF pin is set to ON can be adjusted according to the capacitance.

■ Absolute Maximum Ratings

Table 23

(Ta = +25°C unless otherwise specified)

Item	Symbol	Absolute Maximum Rating	Unit
Input voltage	V _{IN}	V _{SS} - 0.3 to V _{SS} + 12	V
	V _{ON/OFF}	V _{SS} - 0.3 to V _{IN} + 0.3 ≤ V _{SS} + 12	V
	V _{SSC}	V _{SS} - 0.3 to V _{IN} + 0.3 ≤ V _{SS} + 12	V
	V _{VADJ}	V _{SS} - 0.3 to V _{SS} + 12	V
Output voltage	V _{OUT}	V _{SS} - 0.3 to V _{IN} + 0.3 ≤ V _{SS} + 12	V
Output current	I _{OUT}	550	mA
Junction temperature	T _j	-40 to +150	°C
Operation ambient temperature	T _{opr}	-40 to +125	°C
Storage temperature	T _{stg}	-40 to +150	°C

Caution The absolute maximum ratings are rated values exceeding which the product could suffer physical damage. These values must therefore not be exceeded under any conditions.

■ Thermal Resistance Value

Table 24

Item	Symbol	Condition	Min.	Typ.	Max.	Unit	
Junction-to-ambient thermal resistance*1	θ _{JA}	TO-252-5S(A)	Board A	-	86	-	°C/W
			Board B	-	60	-	°C/W
			Board C	-	38	-	°C/W
			Board D	-	31	-	°C/W
			Board E	-	28	-	°C/W
		HSOP-8A	Board A	-	104	-	°C/W
			Board B	-	74	-	°C/W
			Board C	-	39	-	°C/W
			Board D	-	37	-	°C/W
			Board E	-	31	-	°C/W
		HSOP-6	Board A	-	96	-	°C/W
			Board B	-	74	-	°C/W
			Board C	-	-	-	°C/W
			Board D	-	44	-	°C/W
			Board E	-	41	-	°C/W
		SOT-89-5	Board A	-	119	-	°C/W
			Board B	-	84	-	°C/W
			Board C	-	-	-	°C/W
			Board D	-	46	-	°C/W
			Board E	-	35	-	°C/W
HSNT-8(2030)	Board A	-	181	-	°C/W		
	Board B	-	135	-	°C/W		
	Board C	-	40	-	°C/W		
	Board D	-	42	-	°C/W		
	Board E	-	32	-	°C/W		

*1. Test environment: compliance with JEDEC STANDARD JESD51-2A

Remark Refer to "■ Power Dissipation" and "Test Board" for details.

■ **Electrical Characteristics**

1. Types in which output voltage is internally set (S-19243x09 to S-19243x60)

Table 25 (1 / 2)

(T_j = -40°C to +150°C unless otherwise specified)

Item	Symbol	Condition	Min.	Typ.	Max.	Unit	Test Circuit	
Output voltage*1	V _{OUT(E)}	V _{IN} = 2.5 V, I _{OUT} = 100 mA, T _j = -40°C to +125°C	V _{OUT(S)} < 1.5 V	V _{OUT(S)} × 0.977	V _{OUT(S)}	V _{OUT(S)} × 1.023	V	1
		V _{IN} = V _{OUT(S)} + 1.0 V, I _{OUT} = 100 mA, T _j = -40°C to +125°C	1.5 V ≤ V _{OUT(S)}	V _{OUT(S)} × 0.977	V _{OUT(S)}	V _{OUT(S)} × 1.023	V	1
Output current*2	I _{OUT}	V _{IN} = 2.5 V	V _{OUT(S)} < 1.5 V	500*5	–	–	mA	3
		V _{IN} ≥ V _{OUT(S)} + 1.0 V	1.5 V ≤ V _{OUT(S)}	500*5	–	–	mA	3
Dropout voltage*3	V _{drop}	I _{OUT} = 200 mA, Ta = +25°C	0.9 V ≤ V _{OUT(S)} < 2.0 V	–	*4	–	V	1
			2.0 V ≤ V _{OUT(S)} < 2.6 V	–	0.52	–	V	1
			2.6 V ≤ V _{OUT(S)} ≤ 6.0 V	–	0.09	–	V	1
Line regulation	$\frac{\Delta V_{OUT1}}{\Delta V_{IN} \cdot V_{OUT}}$	2.5 V ≤ V _{IN} ≤ 10 V, I _{OUT} = 100 mA, Ta = +25°C	V _{OUT(S)} < 2.0 V	–	0.05	0.2	%/V	1
		V _{OUT(S)} + 0.5 V ≤ V _{IN} ≤ 10 V, I _{OUT} = 100 mA, Ta = +25°C	2.0 V ≤ V _{OUT(S)}	–	0.05	0.2	%/V	1
Load regulation	ΔV _{OUT2}	V _{IN} = 2.5 V, 1 mA ≤ I _{OUT} ≤ 200 mA, Ta = +25°C	V _{OUT(S)} < 1.5 V	–	15	30	mV	1
		V _{IN} = V _{OUT(S)} + 1.0 V, 1 mA ≤ I _{OUT} ≤ 200 mA, Ta = +25°C	1.5 V ≤ V _{OUT(S)}	–	15	30	mV	1
Current consumption during operation	I _{SS1}	V _{IN} = 2.5 V, ON / OFF pin = ON, no load	V _{OUT(S)} < 1.5 V	–	120	150	μA	2
		V _{IN} = V _{OUT(S)} + 1.0 V, ON / OFF pin = ON, no load	1.5 V ≤ V _{OUT(S)}	–	120	150	μA	2
Current consumption during power-off	I _{SS2}	V _{IN} = 2.5 V, ON / OFF pin = OFF, no load, T _j = -40°C to +125°C	V _{OUT(S)} < 1.5 V	–	0.1	10.5	μA	2
		V _{IN} = V _{OUT(S)} + 1.0 V, ON / OFF pin = OFF, no load, T _j = -40°C to +125°C	1.5 V ≤ V _{OUT(S)}	–	0.1	10.5	μA	2
Input voltage	V _{IN}	–	2.5	–	10	V	–	

Table 25 (2 / 2)

(T_j = -40°C to +150°C unless otherwise specified)

Item	Symbol	Condition	Min.	Typ.	Max.	Unit	Test Circuit	
ON / OFF pin input voltage "H"	V _{SH}	V _{IN} = 2.5 V, R _L = 1 kΩ, determined by V _{OUT} output level V _{OUT(S)} < 1.5 V	2.1	–	–	V	4	
		V _{IN} = V _{OUT(S)} + 1.0 V, R _L = 1 kΩ, determined by V _{OUT} output level 1.5 V ≤ V _{OUT(S)}	2.1	–	–	V	4	
ON / OFF pin input voltage "L"	V _{SL}	V _{IN} = 2.5 V, R _L = 1 kΩ, determined by V _{OUT} output level V _{OUT(S)} < 1.5 V	–	–	0.6	V	4	
		V _{IN} = V _{OUT(S)} + 1.0 V, R _L = 1 kΩ, determined by V _{OUT} output level 1.5 V ≤ V _{OUT(S)}	–	–	0.6	V	4	
ON / OFF pin input current "H"	I _{SH}	V _{IN} = 10 V, V _{ON / OFF} = 10 V	B / D / F / H type	–0.1	–	0.1	μA	4
			A / C / E / G type	0.8	2.5	7.8	μA	4
ON / OFF pin input current "L"	I _{SL}	V _{IN} = 10 V, V _{ON / OFF} = 0 V	–0.1	–	0.1	μA	4	
Ripple rejection	RR	V _{IN} = 3.0 V, f = 1 kHz, ΔV _{rip} = 0.5 V _{rms} , I _{OUT} = 100 mA	0.9 V ≤ V _{OUT(S)} < 1.5 V	–	60	–	dB	5
			1.5 V ≤ V _{OUT(S)} < 2.0 V	–	55	–	dB	5
		V _{IN} = V _{OUT(S)} + 1.0 V, f = 1 kHz, ΔV _{rip} = 0.5 V _{rms} , I _{OUT} = 100 mA	2.0 V ≤ V _{OUT(S)} < 2.6 V	–	55	–	dB	5
			2.6 V ≤ V _{OUT(S)} ≤ 6.0 V	–	50	–	dB	5
Short-circuit current	I _{short}	V _{IN} = 2.5 V, ON / OFF pin = ON, V _{OUT} = 0 V, T _a = +25°C	V _{OUT(S)} < 1.5 V	–	240	–	mA	3
		V _{IN} = V _{OUT(S)} + 1.0 V, ON / OFF pin = ON, V _{OUT} = 0 V, T _a = +25°C	1.5 V ≤ V _{OUT(S)}	–	240	–	mA	3
Thermal shutdown detection temperature	T _{SD}	Junction temperature	–	170	–	°C	–	
Thermal shutdown release temperature	T _{SR}	Junction temperature	–	135	–	°C	–	
Discharge shunt resistance during power-off	R _{LOW}	V _{IN} = 10 V, V _{OUT} = 0.1 V	A / B / E / F type	–	100	–	Ω	6
ON / OFF pin pull-down resistance	R _{PD}	–	A / C / E / G type	1.3	4.0	12	MΩ	4
Soft-start time*6	t _{SS}	V _{IN} = 2.5 V, ON / OFF pin = ON	V _{OUT(S)} < 1.5 V, A / B / C / D type	–	1.0	–	ms	7
		V _{IN} = V _{OUT(S)} + 1.0 V, ON / OFF pin = ON	1.5 V ≤ V _{OUT(S)} , A / B / C / D type	–	1.0	–	ms	7

- *1. V_{OUT(S)}: Set output voltage
V_{OUT(E)}: Actual output voltage
Output voltage when fixing I_{OUT} (= 100 mA) and inputting 2.5 V or V_{OUT(S)} + 1.0 V.
- *2. The output current at which the output voltage becomes 95% of V_{OUT(E)} after gradually increasing the output current.
- *3. V_{drop} = V_{IN1} – (V_{OUT3} × 0.98)
V_{IN1} is the input voltage at which the output voltage becomes 98% of V_{OUT3} after gradually decreasing the input voltage.
V_{OUT3} is the output voltage when V_{IN} = V_{OUT(S)} + 1.0 V and I_{OUT} = 200 mA.
- *4. The dropout voltage is limited by the difference between the input voltage (min. value) and the set output voltage.
In case of 0.9 V ≤ V_{OUT(S)} < 1.5 V: 2.5 V – V_{OUT(S)} = V_{drop}
In case of 1.5 V ≤ V_{OUT(S)} < 2.0 V: (V_{OUT(S)} + 1.0 V) – V_{OUT(S)} = 1.0 V
- *5. Due to limitation of the power dissipation, this value may not be satisfied. Attention should be paid to the power dissipation when the output current is large.
This specification is guaranteed by design.
- *6. Soft-start time shows the time period from immediately after power-on or when the ON / OFF pin is set to ON until the output voltage rises to 99%. Refer to "8. Soft-start function" in "■ Operation" for details.

2. Types in which output voltage is externally set (S-19243x00, HSOP-8A, HSOP-6, HSNT-8(2030))

Table 26

(T_j = -40°C to +150°C unless otherwise specified)

Item	Symbol	Condition	Min.	Typ.	Max.	Unit	Test Circuit	
Adjustment pin output voltage*1	V _{VADJ}	V _{OUT} = V _{VADJ} , V _{IN} = 2.5 V, I _{OUT} = 100 mA, T _j = -40°C to +125°C	0.977	1.0	1.023	V	8	
Output voltage range	V _{ROUT}	-	1.0	-	9.0	V	15	
Adjustment pin internal resistance	R _{VADJ}	-	-	600	-	kΩ	-	
Output current*2	I _{OUT}	V _{OUT} = V _{VADJ} , V _{IN} = 2.5 V	500*5	-	-	mA	10	
Dropout voltage*3	V _{drop}	V _{OUT} = V _{VADJ} , I _{OUT} = 200 mA, T _a = +25°C	-	*4	-	V	8	
Line regulation	$\frac{\Delta V_{OUT1}}{\Delta V_{IN} \cdot V_{OUT}}$	V _{OUT} = V _{VADJ} , 2.5 V ≤ V _{IN} ≤ 10 V, I _{OUT} = 100 mA, T _a = +25°C	-	0.05	0.2	%/V	8	
Load regulation	ΔV _{OUT2}	V _{OUT} = V _{VADJ} , V _{IN} = 2.5 V, 1 mA ≤ I _{OUT} ≤ 200 mA, T _a = +25°C	-	15	30	mV	8	
Current consumption during operation	I _{SS1}	V _{OUT} = V _{VADJ} , V _{IN} = 2.5 V, ON / OFF pin = ON, no load	-	120	150	μA	9	
Current consumption during power-off	I _{SS2}	V _{OUT} = V _{VADJ} , V _{IN} = 2.5 V, ON / OFF pin = OFF, no load, T _j = -40°C to +125°C	-	0.1	10.5	μA	9	
Input voltage	V _{IN}	-	2.5	-	10	V	-	
ON / OFF pin input voltage "H"	V _{SH}	V _{OUT} = V _{VADJ} , V _{IN} = 2.5 V, R _L = 1 kΩ, determined by V _{OUT} output level	2.1	-	-	V	11	
ON / OFF pin input voltage "L"	V _{SL}	V _{OUT} = V _{VADJ} , V _{IN} = 2.5 V, R _L = 1 kΩ, determined by V _{OUT} output level	-	-	0.6	V	11	
ON / OFF pin input current "H"	I _{SH}	V _{IN} = 10 V, ON / OFF = 10 V	B / D / F / H type A / C / E / G type	-0.1 0.8	- 2.5	0.1 7.8	μA μA	11 11
ON / OFF pin input current "L"	I _{SL}	V _{IN} = 10 V, ON / OFF = 0 V	-0.1	-	0.1	μA	11	
Ripple rejection	RR	V _{OUT} = V _{VADJ} , V _{IN} = 3.0 V, f = 1 kHz, ΔV _{rip} = 0.5 V _{rms} , I _{OUT} = 100 mA	-	60	-	dB	12	
Short-circuit current	I _{short}	V _{OUT} = V _{VADJ} , V _{IN} = 2.5 V, ON / OFF pin = ON, V _{OUT} = 0 V, T _a = +25°C	-	240	-	mA	10	
Thermal shutdown detection temperature	T _{SD}	Junction temperature	-	170	-	°C	-	
Thermal shutdown release temperature	T _{SR}	Junction temperature	-	135	-	°C	-	
Discharge shunt resistance during power-off	R _{LOW}	V _{IN} = 10 V, V _{OUT} = 0.1 V	A / B / E / F type	-	100	-	Ω	13
ON / OFF pin pull-down resistance	R _{PD}	-	A / C / E / G type	1.3	4.0	12	MΩ	11
Soft-start time*6	t _{SS}	V _{OUT} = V _{VADJ} , V _{IN} = 2.5 V, ON / OFF pin = ON	A / B / C / D type	-	1.0	-	ms	14

*1. Output voltage when fixing I_{OUT} (= 100 mA) and inputting 2.5 V.

*2. The output current at which the output voltage becomes 95% of V_{OUT(E)} after gradually increasing the output current.

*3. V_{drop} = V_{IN1} - (V_{OUT3} × 0.98)

V_{IN1} is the input voltage at which the output voltage becomes 98% of V_{OUT3} after gradually decreasing the input voltage.

V_{OUT3} is the output voltage when V_{IN} = V_{OUT(S)} + 1.0 V and I_{OUT} = 200 mA.

*4. The dropout voltage is limited by the difference between the input voltage (min. value) and the set output voltage.

In case of set output voltage (V_{OUT(S)}) = 1.0 V: 2.5 V - V_{OUT(S)} = V_{drop}

*5. Due to limitation of the power dissipation, this value may not be satisfied. Attention should be paid to the power dissipation when the output current is large.

This specification is guaranteed by design.

*6. Soft-start time shows the time period from immediately after power-on or when the ON / OFF pin is set to ON until the output voltage rises to 99%. Refer to "8. Soft-start function" in "■ Operation" for details.

■ Test Circuits

1. Types in which output voltage is internally set (S-19243x09 to S-19243x60)

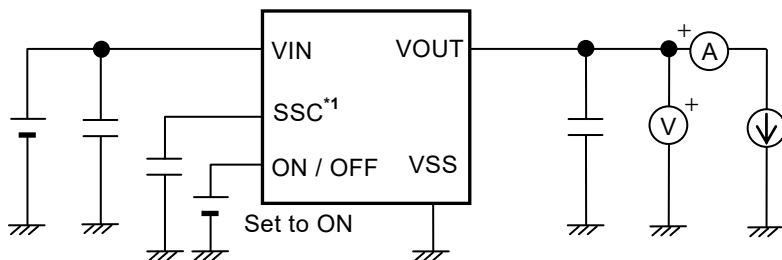


Figure 10 Test Circuit 1

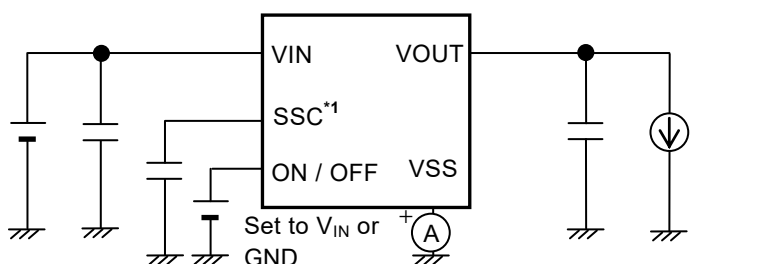


Figure 11 Test Circuit 2

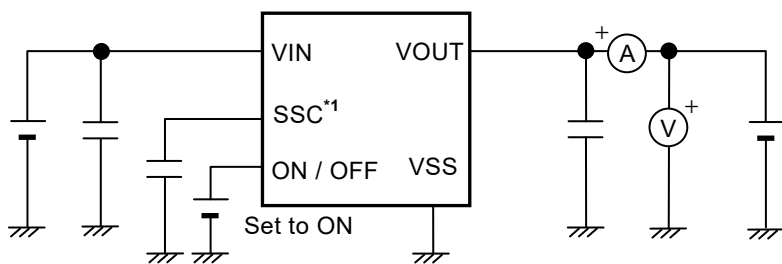


Figure 12 Test Circuit 3

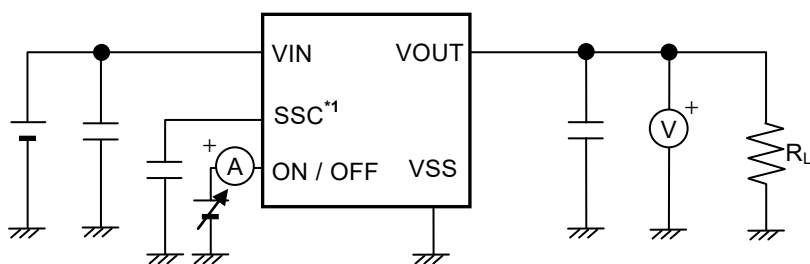


Figure 13 Test Circuit 4

*1. S-19243xxxA Series E / F / G / H type only.

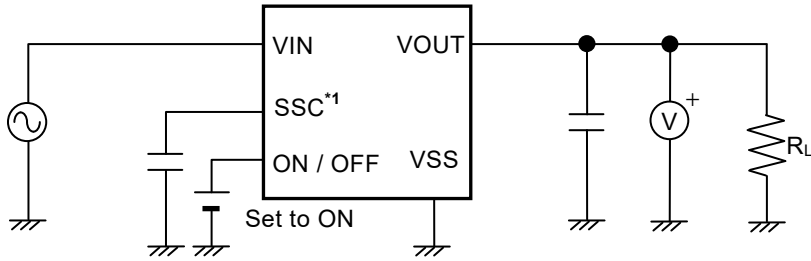


Figure 14 Test Circuit 5

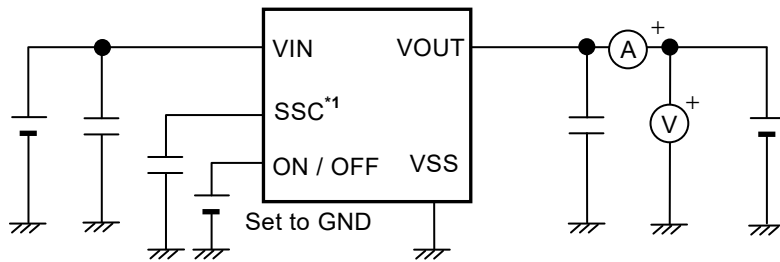


Figure 15 Test Circuit 6

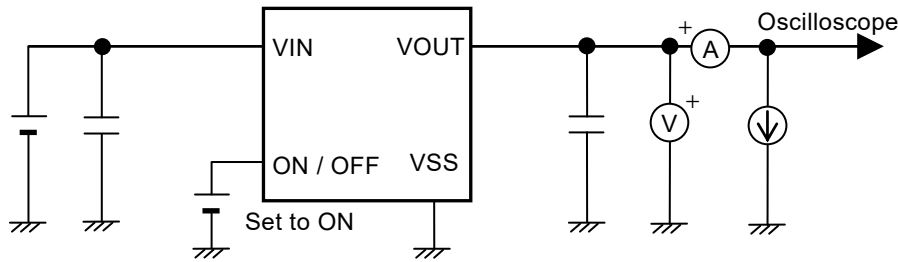


Figure 16 Test Circuit 7

*1. S-19243xxxA Series E / F / G / H type only.

2. Types in which output voltage is externally set (S-19243x00, HSOP-8A, HSOP-6, HSNT-8(2030))

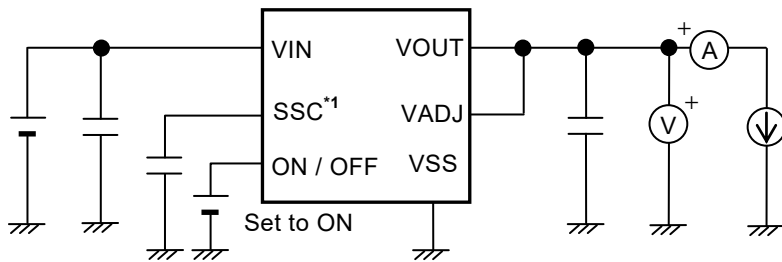


Figure 17 Test Circuit 8

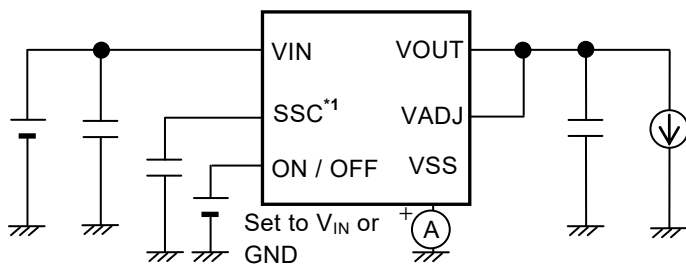


Figure 18 Test Circuit 9

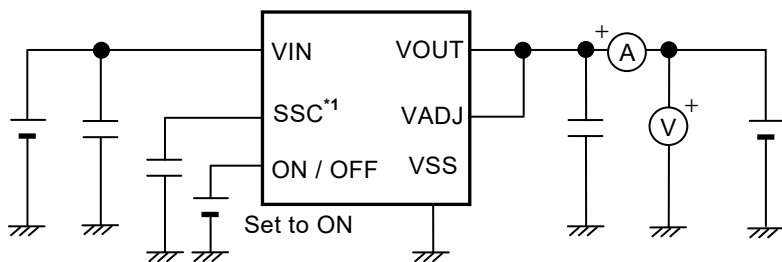


Figure 19 Test Circuit 10

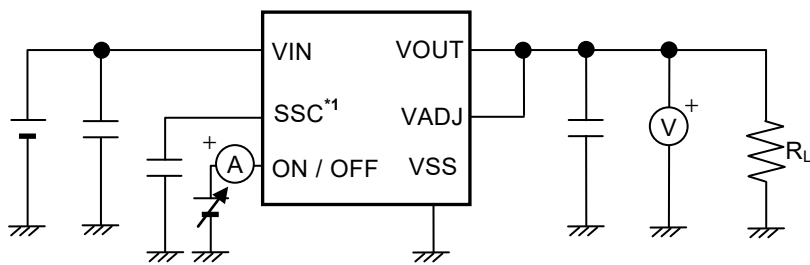


Figure 20 Test Circuit 11

*1. S-19243xxxA Series E / F / G / H type only.

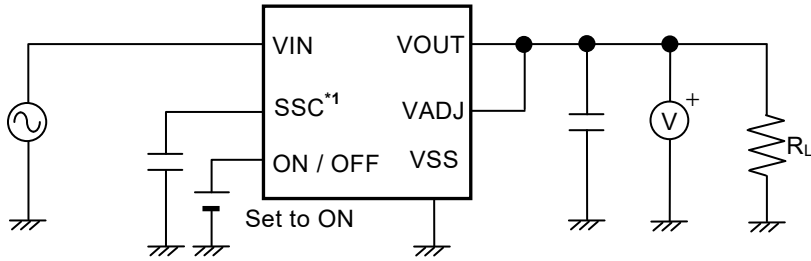


Figure 21 Test Circuit 12

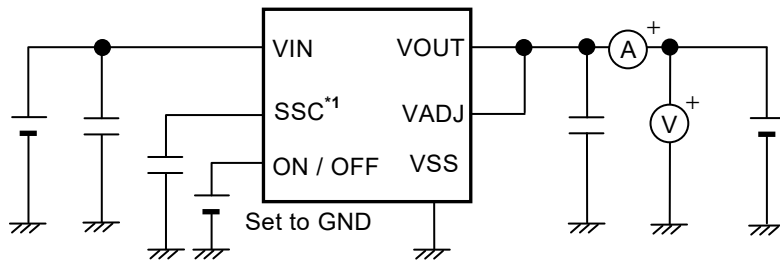


Figure 22 Test Circuit 13

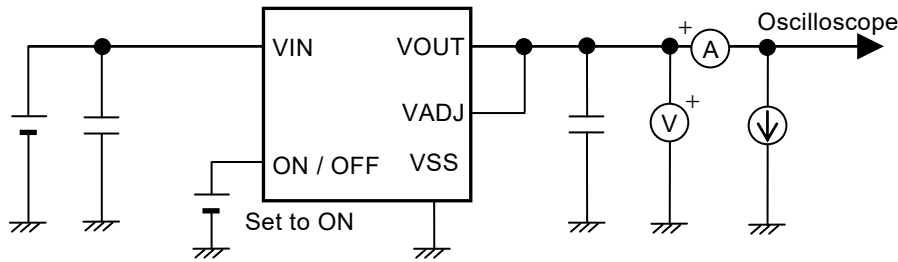


Figure 23 Test Circuit 14

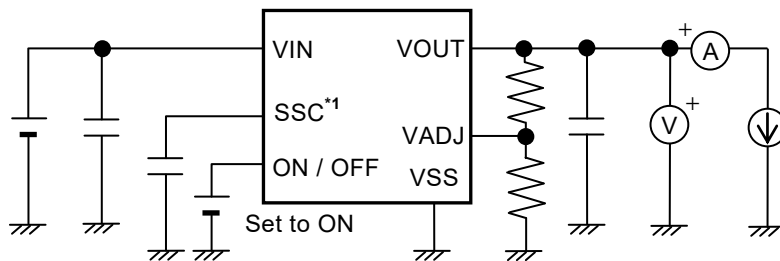


Figure 24 Test Circuit 15

*1. S-19243xxxA Series E / F / G / H type only.

■ Standard Circuits

1. Types in which output voltage is internally set

1.1 S-19243xxxA Series A / B / C / D type (HSOP-8A, HSOP-6, SOT-89-5, HSNT-8(2030))

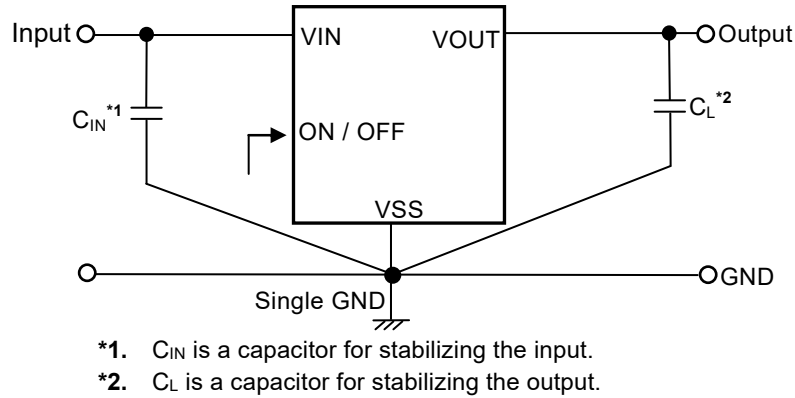


Figure 25

1.2 S-19243xxxA Series E / F / G / H type (TO-252-5S(A), HSOP-8A, HSOP-6, SOT-89-5, HSNT-8(2030))

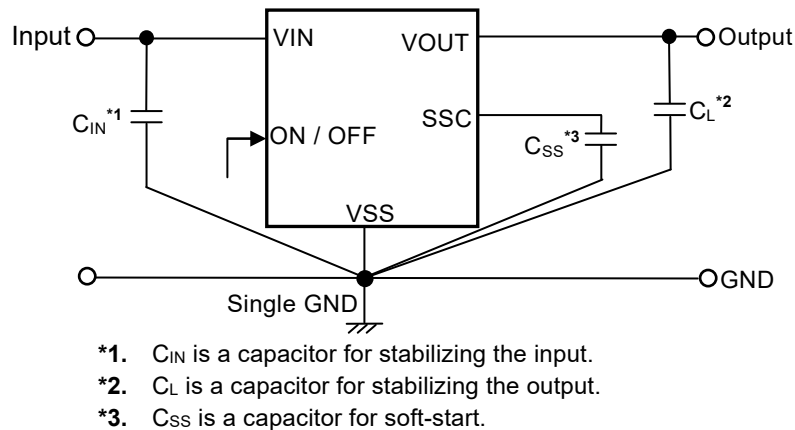
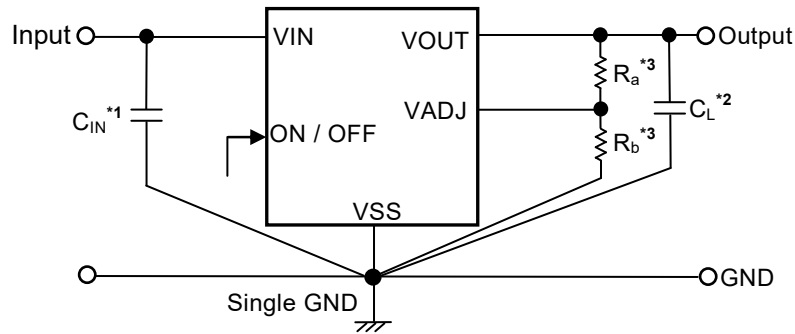


Figure 26

Caution The above connection diagram and constants will not guarantee successful operation. Perform thorough evaluation including the temperature characteristics with an actual application to set the constants.

2. Types in which output voltage is externally set

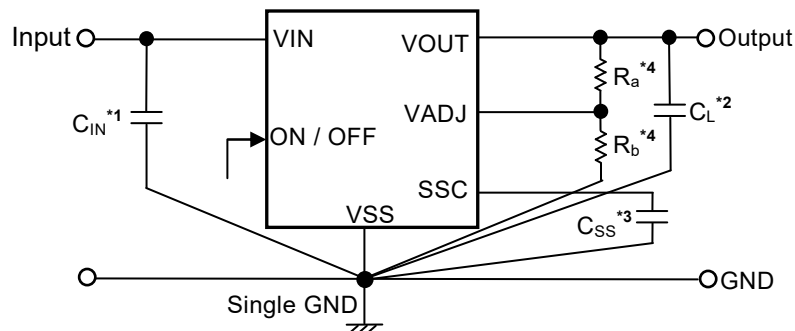
2.1 S-19243xxxA Series A / B / C / D type (HSOP-6)



- *1. C_{IN} is a capacitor for stabilizing the input.
- *2. C_L is a capacitor for stabilizing the output.
- *3. R_a and R_b are resistors for output voltage external setting.

Figure 27

2.1 S-19243xxxA Series E / F / G / H type (HSOP-8A, HSNT-8(2030))



- *1. C_{IN} is a capacitor for stabilizing the input.
- *2. C_L is a capacitor for stabilizing the output.
- *3. C_{SS} is a capacitor for soft-start.
- *4. R_a and R_b are resistors for output voltage external setting.

Figure 28

Caution The above connection diagram and constants will not guarantee successful operation. Perform thorough evaluation including the temperature characteristics with an actual application to set the constants.

■ Condition of Application

Input capacitor (C_{IN}): A ceramic capacitor with capacitance of 2.2 μF or more is recommended.
 Output capacitor (C_L): A ceramic capacitor with capacitance of 2.2 μF or more is recommended.

Caution Generally, in a voltage regulator, an oscillation may occur depending on the selection of the external parts. Perform thorough evaluation including the temperature characteristics with an actual application using the above capacitors to confirm no oscillation occurs.

■ Selection of Input Capacitor (C_{IN}) and Output Capacitor (C_L)

The S-19243xxxA Series requires C_L between the V_{OUT} pin and the V_{SS} pin for phase compensation. The operation is stabilized by a ceramic capacitor with capacitance of 2.2 μF or more. When using an OS capacitor, a tantalum capacitor or an aluminum electrolytic capacitor, the capacitance also must be 2.2 μF or more. However, an oscillation may occur depending on the equivalent series resistance (ESR).

Moreover, the S-19243xxxA Series requires C_{IN} between the V_{IN} pin and the V_{SS} pin for a stable operation. Generally, an oscillation may occur when a voltage regulator is used under the condition that the impedance of the power supply is high.

Note that the output voltage transient characteristics varies depending on the capacitance of C_{IN} and C_L and the value of ESR.

Caution Perform thorough evaluation including the temperature characteristics with an actual application to select C_{IN} and C_L.

■ Selection of Capacitor for Soft-start (C_{SS})

The S-19243xxxA Series E / F / G / H type requires the capacitor for soft-start (C_{SS}) between the SSC pin and the V_{SS} pin. Over the entire temperature range, the S-19243xxxA Series operates stably with a ceramic capacitor of 0.68 nF or more. According to C_{SS} capacitance, the rising speed of the output voltage is adjustable. The time that the output voltage rises to 99% is 6.0 ms typ. at C_{SS} = 10 nF. The recommended value for applications is 0.68 nF ≤ C_{SS} ≤ 168 nF, however; define the values by sufficient evaluation including the temperature characteristics under the usage condition.

■ Selection of Resistor for Output Voltage External Setting (R_a, R_b)

The S-19243xxxA Series provides the types in which output voltage can be set via the external resistor. The output voltage can be set by connecting a resistor (R_a) between the V_{OUT} pin and the V_{ADJ} pin, and a resistor (R_b) between the V_{ADJ} pin and the V_{SS} pin.

Depending on the intended output voltage, select R_a and R_b from the range shown in **Table 27**.

Caution Since the V_{ADJ} pin impedance is comparatively high and is easily affected by noise, pay adequate attention to the wiring pattern.

Table 27

V _{OUT}	R _a	R _b
1.0 V	Connect to V _{OUT} pin	Unnecessary
1.05 V to 9.0 V	0.1 kΩ to 1.2 MΩ	2 kΩ to 200 kΩ

■ Explanation of Terms

1. Low dropout voltage regulator

This is a voltage regulator which made dropout voltage small by its built-in low on-resistance output transistor.

2. Output voltage (V_{OUT})

This voltage is output at an accuracy of $\pm 2.3\%$ when the input voltage, the output current and the temperature are in a certain condition*1.

*1. Differs depending on the product.

Caution If the certain condition is not satisfied, the output voltage may exceed the accuracy range of $\pm 2.3\%$. Refer to "■ Electrical Characteristics" and "■ Characteristics (Typical Data)" for details.

3. Line regulation $\left(\frac{\Delta V_{OUT1}}{\Delta V_{IN} \bullet V_{OUT}} \right)$

Indicates the dependency of the output voltage against the input voltage. That is, the value shows how much the output voltage changes due to a change in the input voltage after fixing output current constant.

4. Load regulation (ΔV_{OUT2})

Indicates the dependency of the output voltage against the output current. That is, the value shows how much the output voltage changes due to a change in the output current after fixing input voltage constant.

5. Dropout voltage (V_{drop})

Indicates the difference between input voltage (V_{IN1}) and the output voltage when the output voltage becomes 98% of the output voltage value (V_{OUT3}) at $V_{IN} = V_{OUT(S)} + 1.0$ V after the input voltage (V_{IN}) is decreased gradually.

$$V_{drop} = V_{IN1} - (V_{OUT3} \times 0.98)$$

■ Operation

1. Basic operation

Figure 29 shows the block diagram of the S-19243xxxA Series to describe the basic operation.

The error amplifier compares the feedback voltage (V_{fb}) whose output voltage (V_{OUT}) is divided by the feedback resistors (R_s and R_f) with the reference voltage (V_{ref}). The error amplifier controls the output transistor, consequently, the regulator starts the operation that keeps V_{OUT} constant without the influence of the input voltage (V_{IN}).

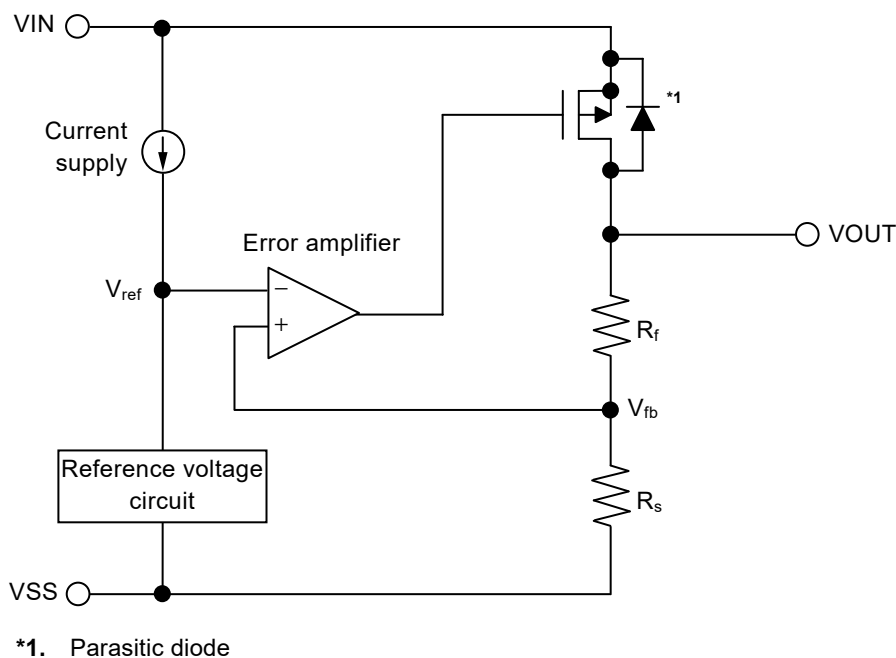


Figure 29

2. Output transistor

In the S-19243xxxA Series, a low on-resistance P-channel MOS FET is used between the V_{IN} pin and the V_{OUT} pin as the output transistor. In order to keep V_{OUT} constant, the on-resistance of the output transistor varies appropriately according to the output current (I_{OUT}).

Caution Since a parasitic diode exists between the V_{IN} pin and the V_{OUT} pin due to the structure of the transistor, the IC may be damaged by a reverse current if V_{OUT} becomes higher than V_{IN} . Therefore, be sure that V_{OUT} does not exceed $V_{IN} + 0.3$ V.

3. ON / OFF pin

The ON / OFF pin controls the internal circuit and the output transistor in order to start and stop the regulator. When the ON / OFF pin is set to OFF, the internal circuit stops operating and the output transistor between the VIN pin and the VOUT pin is turned off, reducing current consumption significantly.

Note that the current consumption increases when a voltage of 0.6 V to $V_{IN} - 0.3$ V is applied to the ON / OFF pin. The ON / OFF pin is configured as shown in **Figure 30** and **Figure 31**.

3.1 S-19243xxxA Series A / C / E / G type

Since the ON / OFF pin is internally pulled down to the VSS pin in the floating status, the VOUT pin is set to the V_{SS} level.

Refer to "■ **Electrical Characteristics**" for the ON / OFF pin current.

3.2 S-19243xxxA Series B / D / F / H type

Since the ON / OFF pin is neither pulled down nor pulled up, do not use these types in the floating status. When not using the ON / OFF pin, connect it to the VIN pin.

Table 28

Product Type	ON / OFF Pin	Internal Circuit	VOUT Pin Voltage	Current Consumption
A / B / C / D E / F / G / H	"H" : ON	Operate	Constant value*1	I_{SS1} *2
A / B / C / D E / F / G / H	"L" : OFF	Stop	Pulled down to V_{SS} *3	I_{SS2}

*1. The constant value is output due to the regulating based on the set output voltage value.

*2. Note that the IC's current consumption increases as much as current flows into the pull-down resistor when the ON / OFF pin is connected to the VIN pin and the S-19243xxxA Series A / C / E / G type is operating (refer to **Figure 30**).

*3. The VOUT pin voltage of the S-19243xxxA Series A / B / E / F type is pulled down to V_{SS} due to combined resistance ($R_{LOW} = 100 \Omega$ typ.) of the discharge shunt circuit and the feedback resistors, and a load.

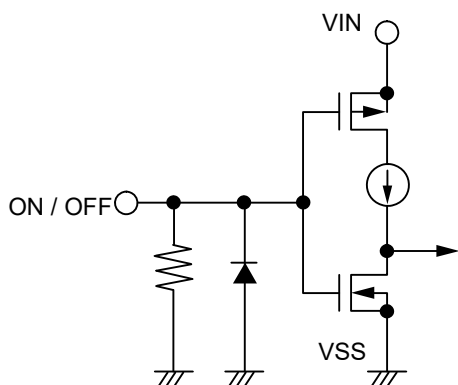


Figure 30 S-19243xxxA Series
A / C / E / G type

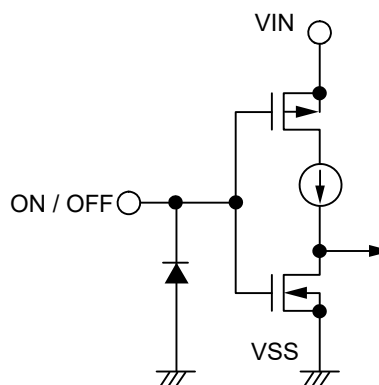


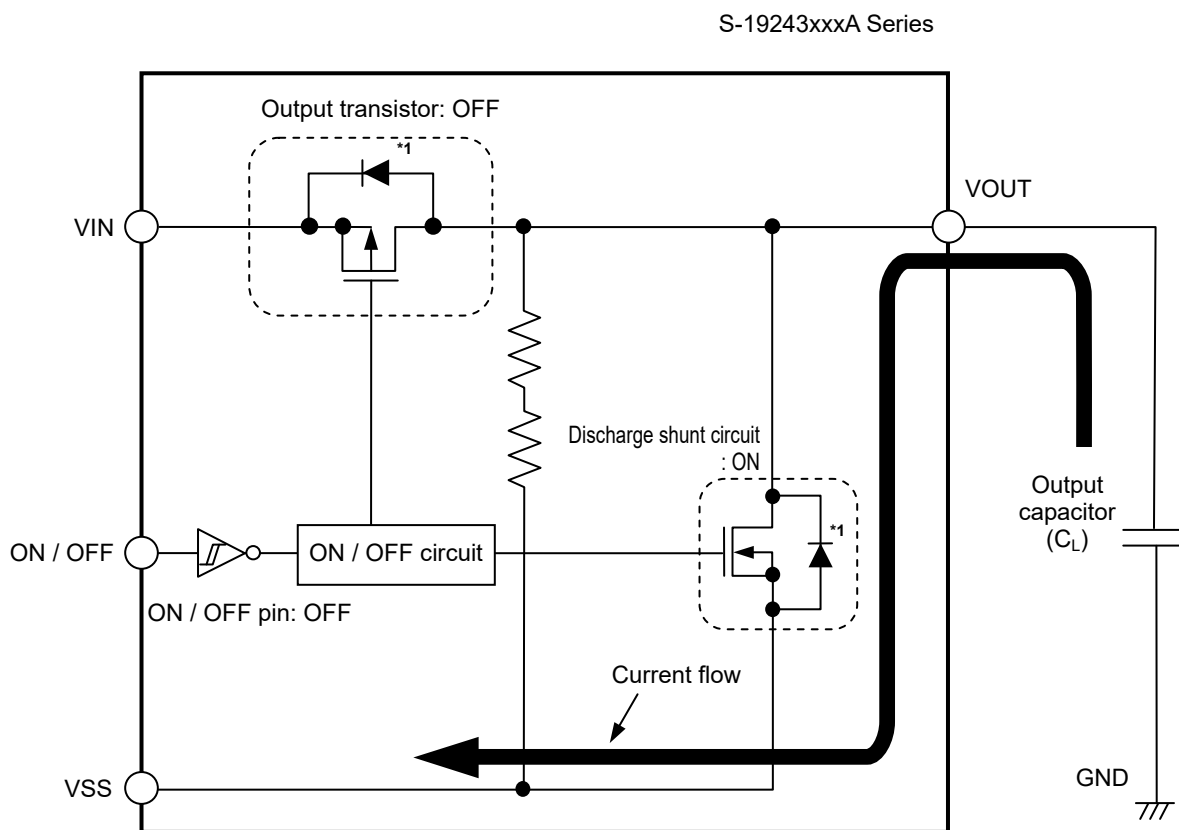
Figure 31 S-19243xxxA Series
B / D / F / H type

4. Discharge shunt function (S-19243xxxA Series A / B / E / F type)

The S-19243xxxA Series A / B / E / F type has a built-in discharge shunt circuit to discharge the output capacitance. The output capacitance is discharged as follows so that the VOUT pin reaches the VSS level.

- (1) The ON / OFF pin is set to OFF level.
- (2) The output transistor is turned off.
- (3) The discharge shunt circuit is turned on.
- (4) The output capacitor discharges.

Since the S-19243xxxA Series C / D / G / H type does not have a discharge shunt circuit, the VOUT pin is set to the VSS level through several hundred kΩ internal divided resistors between the VOUT pin and the VSS pin. The S-19243xxxA Series A / B / E / F type allows the VOUT pin to reach the VSS level rapidly due to the discharge shunt circuit.



*1. Parasitic diode

Figure 32

5. Pull-down resistor (S-19243xxxA Series A / C / E / G type)

The ON / OFF pin is internally pulled down to the VSS pin in the floating status, so the VOUT pin is set to the VSS level.

Note that the IC's current consumption increases as much as current flows into the pull-down resistor of 4.0 MΩ typ. when the ON / OFF pin is connected to the VIN pin.

6. Overcurrent protection circuit

The S-19243xxxA Series has a built-in overcurrent protection circuit to limit the overcurrent of the output transistor. When the V_{OUT} pin is shorted to the V_{SS} pin, that is, at the time of the output short-circuit, the output current is limited to 240 mA typ. due to the overcurrent protection circuit operation. The S-19243xxxA Series restarts regulating when the output transistor is released from the overcurrent status.

Caution This overcurrent protection circuit does not work as for thermal protection. For example, when the output transistor keeps the overcurrent status long at the time of output short-circuit or due to other reasons, pay attention to the conditions of the input voltage and the load current so as not to exceed the power dissipation.

7. Thermal shutdown circuit

The S-19243xxxA Series has a built-in thermal shutdown circuit to limit overheating. When the junction temperature increases to 170°C typ., the thermal shutdown circuit becomes the detection status, and the regulating is stopped. When the junction temperature decreases to 135°C typ., the thermal shutdown circuit becomes the release status, and the regulator is restarted.

If the thermal shutdown circuit becomes the detection status due to self-heating, the regulating is stopped and V_{OUT} decreases. For this reason, the self-heating is limited and the temperature of the IC decreases. The thermal shutdown circuit becomes release status when the temperature of the IC decreases, and the regulating is restarted after the soft-start operation is finished, thus the self-heating is generated again. Repeating this procedure makes the waveform of V_{OUT} into a pulse-like form. This phenomenon continues unless decreasing either or both of the input voltage and the output current in order to reduce the internal power consumption, or decreasing the ambient temperature. Note that the product may suffer physical damage such as deterioration if the above phenomenon occurs continuously.

Caution When the heat radiation of the application is not in a good condition, the self-heating cannot be limited immediately, and the IC may suffer physical damage. Perform thorough evaluation with an actual application to confirm no problems happen.

Table 29

Thermal Shutdown Circuit	V _{OUT} Pin Voltage
Release: 135°C typ.*1	Constant value*2
Detection: 170°C typ.*1	Pulled down to V _{SS} *3

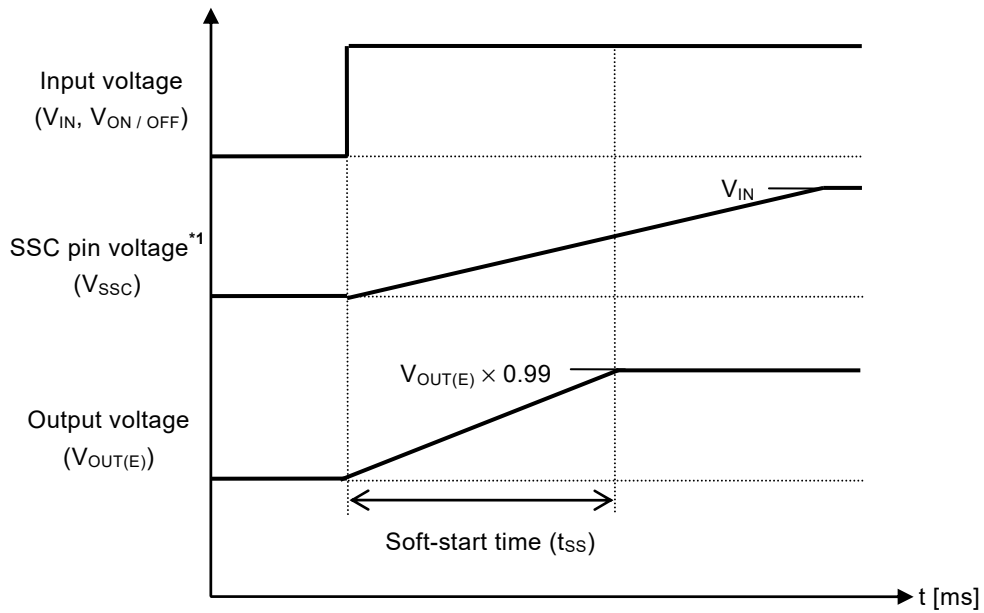
*1. Junction temperature

*2. The constant value is output due to the regulating based on the set output voltage value.

*3. The V_{OUT} pin voltage is pulled down to V_{SS} due to the feedback resistors (R_s and R_f) and a load.

8. Soft-start function

The S-19243xxxA Series has the built-in soft-start circuit to suppress the inrush current and overshoot of the output voltage generated at power-on or at the time when the ON / OFF pin is set to ON. The soft-start time (t_{SS}) is the time period from when the output voltage rises slowly immediately after power-on or when the ON / OFF pin is set to ON until when the output voltage rises to 99%.



*1. S-19243xxxA Series E / F / G / H type only.

Figure 33

8.1 S-19243xxxA Series A / B / C / D type

By charging the built-in capacitor via the built-in constant current source, $t_{ss} = 1.0 \text{ ms typ.}$ is generated.

8.2 S-19243xxxA Series E / F / G / H type

t_{ss} can be adjusted by the external capacitor (C_{SS}) connected between the SSC pin and the VSS pin, and is calculated by using the following calculation.

$$t_{ss} [\text{ms}] = \text{Soft-start coefficient}^{*1} [\text{ms} / \text{nF}] \times C_{SS} [\text{nF}] + t_{D0}^{*2} [\text{ms}]$$

*1. It is determined by charging the built-in constant current (approx. 2.1 μA) to C_{SS} .

*2. The delay time of internal capacitance.

When the C_{SS} value is sufficiently large, the t_{D0} value can be disregarded. When the ON / OFF pin is set to OFF, the electrical charge charged in C_{SS} is discharged by the transistor of the discharge shunt circuit.

Table 30 Soft-start Coefficient [ms / nF]

Operation Temperature	Min.	Typ.	Max.
$T_J = +150^\circ\text{C}$	0.391	0.528	0.691
$T_J = +125^\circ\text{C}$	0.393	0.534	0.690
$T_J = +25^\circ\text{C}$	0.436	0.574	0.704
$T_J = -40^\circ\text{C}$	0.467	0.604	0.717

Table 31 Delay Time of Internal Capacitance (t_{D0})

Operation Temperature	Min.	Typ.	Max.
$T_J = -40^\circ\text{C}$ to $+150^\circ\text{C}$	0.032 ms	0.047 ms	0.108 ms

Caution The above calculation will not guarantee successful operation. Perform thorough evaluation using the actual application including the temperature characteristics under the actual usage conditions to determine C_{SS} capacitance. Refer to "■ Condition of Application" and "■ Characteristics (Typical Data)" for details.

9. Types in which output voltage is externally set

The S-19243xxxA Series provides the types in which output voltage can be set via the external resistor. The output voltage can be set by connecting a resistor (R_a) between the VOUT pin and the VADJ pin, and a resistor (R_b) between the VADJ pin and the VSS pin.

The output voltage is determined by the following formulas.

$$V_{OUT} = 1.0 + R_a \times I_a \quad \dots\dots\dots (1)$$

By substituting $I_a = I_{VADJ} + 1.0 / R_b$ to above formula (1),

$$V_{OUT} = 1.0 + R_a \times (I_{VADJ} + 1.0 / R_b) = 1.0 \times (1.0 + R_a / R_b) + R_a \times I_{VADJ} \quad \dots\dots\dots (2)$$

In above formula (2), $R_a \times I_{VADJ}$ is a factor for the output voltage error.

Whether the output voltage error is minute is judged depending on the following (3) formula.

By substituting $I_{VADJ} = 1.0 / R_{VADJ}$ to $R_a \times I_{VADJ}$

$$V_{OUT} = 1.0 \times (1.0 + R_a / R_b) + 1.0 \times R_a / R_{VADJ} \quad \dots\dots\dots (3)$$

If R_{VADJ} is sufficiently larger than R_a , the error is judged as minute.

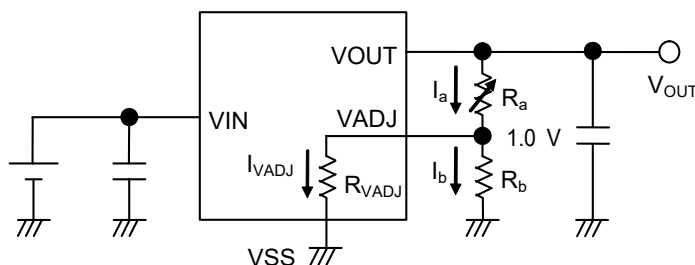


Figure 34

The following expression is in order to determine $V_{OUT} = 6.0$ V.

If $R_b = 2$ k Ω , substitute $R_{VADJ} = 600$ k Ω typ. into (3),

$$R_a = (6.0 / 1.0 - 1) \times ((2 \text{ k} \times 600 \text{ k}) / (2 \text{ k} + 600 \text{ k})) \cong 9.97 \text{ k}\Omega$$

Caution The above connection diagrams and constants will not guarantee successful operation. Perform thorough evaluation using the actual application to set the constants.

■ Precautions

- Generally, when a voltage regulator is used under the condition that the load current value is small (1 mA or less), the output voltage may increase due to the leakage current of an output transistor.
- Generally, when a voltage regulator is used under the condition that the temperature is high, the output voltage may increase due to the leakage current of an output transistor.
- Generally, when the ON / OFF pin is used under the condition of OFF, the output voltage may increase due to the leakage current of an output transistor.
- Generally, when a voltage regulator is used under the condition that the impedance of the power supply is high, an oscillation may occur. Perform thorough evaluation including the temperature characteristics with an actual application to select C_{IN} .
- Generally, in a voltage regulator, an oscillation may occur depending on the selection of the external parts. The following use conditions are recommended in the S-19243xxxA Series; however, perform thorough evaluation including the temperature characteristics with an actual application to select C_{IN} and C_L .

Input capacitor (C_{IN}): A ceramic capacitor with capacitance of 2.2 μ F or more is recommended.

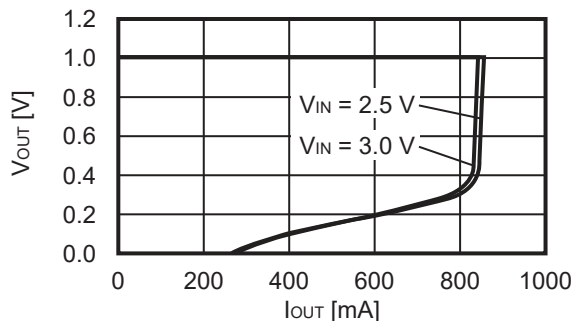
Output capacitor (C_L): A ceramic capacitor with capacitance of 2.2 μ F or more is recommended.

- Generally, in a voltage regulator, the values of an overshoot and an undershoot in the output voltage vary depending on the variation factors of input voltage start-up, input voltage fluctuation, load fluctuation etc., or the capacitance of C_{IN} or C_L and the value of the equivalent series resistance (ESR), which may cause a problem to the stable operation. Perform thorough evaluation including the temperature characteristics with an actual application to select C_{IN} and C_L .
- Generally, in a voltage regulator, an overshoot may occur in the output voltage momentarily if the input voltage steeply changes when the input voltage is started up, the soft-start operation is performed, the input voltage fluctuates, etc. Perform thorough evaluation including the temperature characteristics with an actual application to confirm no problems happen.
- Generally, in a voltage regulator, if the VOUT pin is steeply shorted with GND, a negative voltage exceeding the absolute maximum ratings may occur in the VOUT pin due to resonance phenomenon of the inductance and the capacitance including C_L on the application. The resonance phenomenon is expected to be weakened by inserting a series resistor into the resonance path, and the negative voltage is expected to be limited by inserting a protection diode between the VOUT pin and the VSS pin.
- If the input voltage is started up steeply under the condition that the capacitance of C_L is large, the thermal shutdown circuit may be in the detection status by self-heating due to the charge current to C_L .
- Make sure of the conditions for the input voltage, output voltage and the load current so that the internal loss does not exceed the power dissipation.
- Do not apply an electrostatic discharge to this IC that exceeds the performance ratings of the built-in electrostatic protection circuit.
- When considering the output current value that the IC is able to output, make sure of the output current value specified in **Table 25** and **Table 26** in "■ Electrical Characteristics" and footnote *5 of the table.
- Wiring patterns on the application related to the VIN pin, the VOUT pin and the VSS pin should be designed so that the impedance is low. When mounting C_{IN} between the VIN pin and the VSS pin and C_L between the VOUT pin and the VSS pin, connect the capacitors as close as possible to the respective destination pins of the IC.
- When setting the output voltage by using an external resistor, connect a resistor (R_a) between the VOUT pin and the VADJ pin and a resistor (R_b) between the VADJ pin and the VSS pin close to the respective pins.
- In the package equipped with heat sink of backside, mount the heat sink firmly. Since the heat radiation differs according to the condition of the application, perform thorough evaluation with an actual application to confirm no problems happen.
- ABLIC Inc. claims no responsibility for any disputes arising out of or in connection with any infringement by products including this IC of patents owned by a third party.

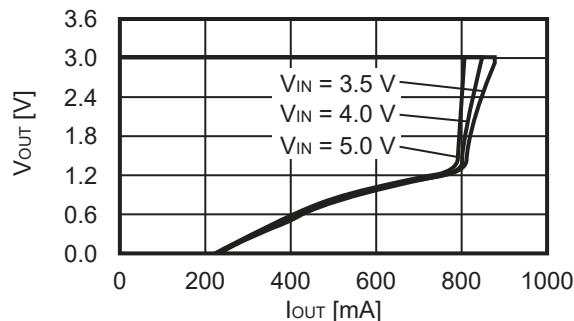
■ Characteristics (Typical Data)

1. Output voltage vs. Output current (When load current increases) (Ta = +25°C)

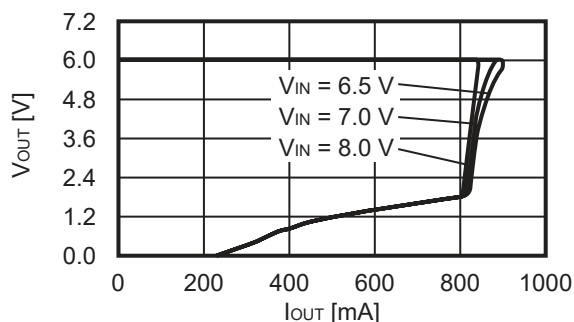
1.1 V_{OUT} = 1.0 V



1.2 V_{OUT} = 3.0 V



1.3 V_{OUT} = 6.0 V

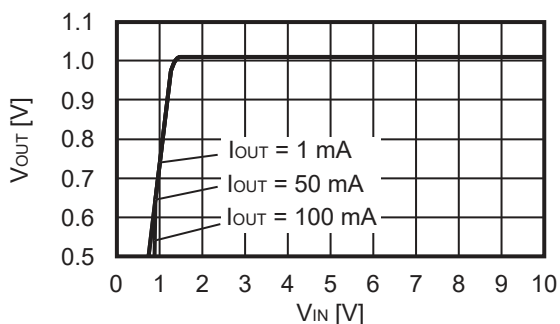


Remark In determining the output current, attention should be paid to the following.

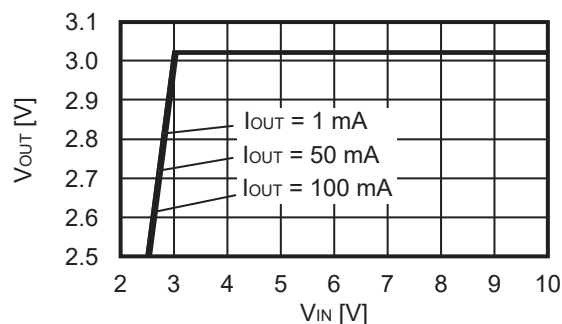
1. The minimum output current value and footnote *5 of Table 25 and Table 26 in "■ Electrical Characteristics"
2. Power dissipation

2. Output voltage vs. Input voltage (Ta = +25°C)

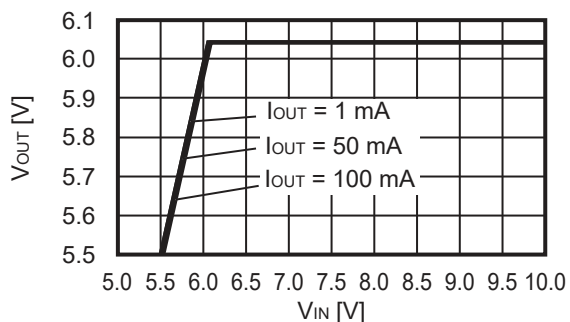
2.1 V_{OUT} = 1.0 V



2.2 V_{OUT} = 3.0 V

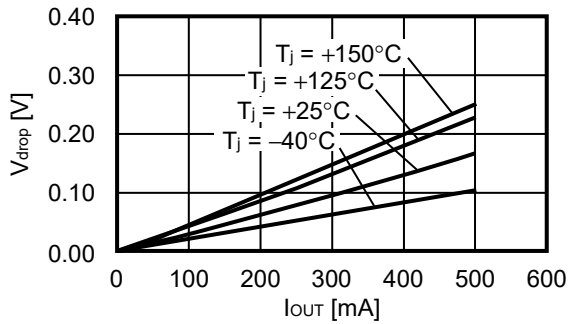


2.3 V_{OUT} = 6.0 V

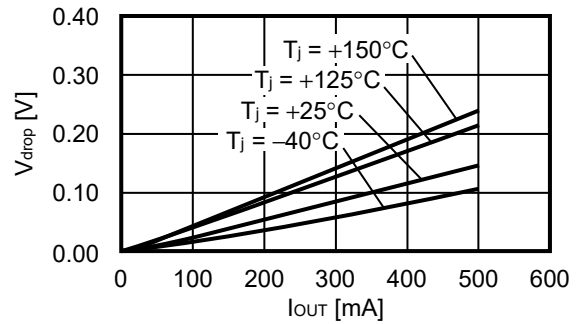


3. Dropout voltage vs. Output current

3.1 $V_{OUT} = 3.0\text{ V}$

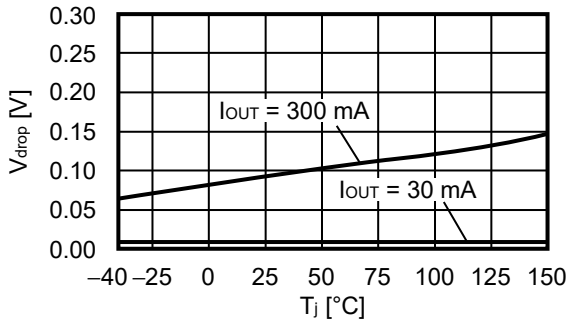


3.2 $V_{OUT} = 6.0\text{ V}$

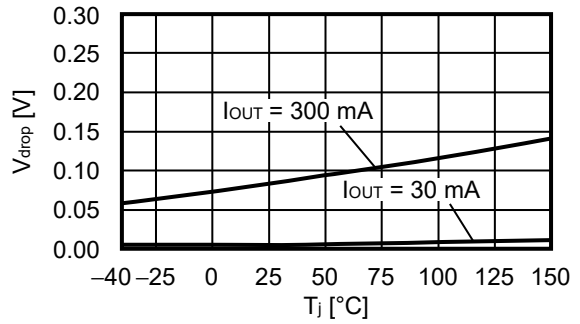


4. Dropout voltage vs. Junction temperature

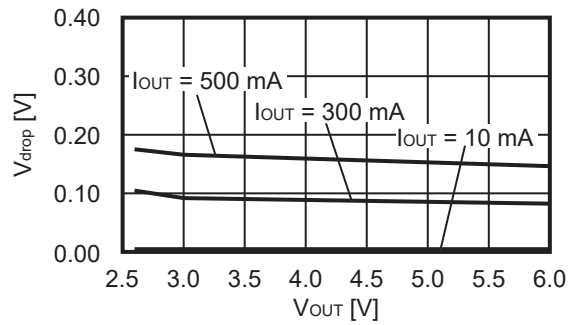
4.1 $V_{OUT} = 3.0\text{ V}$



4.2 $V_{OUT} = 6.0\text{ V}$

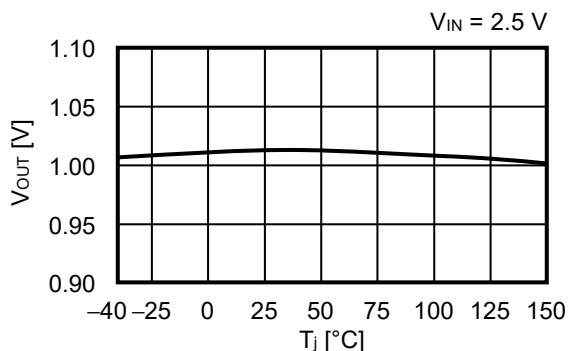


5. Dropout voltage vs. Set output voltage ($T_a = +25^\circ\text{C}$)

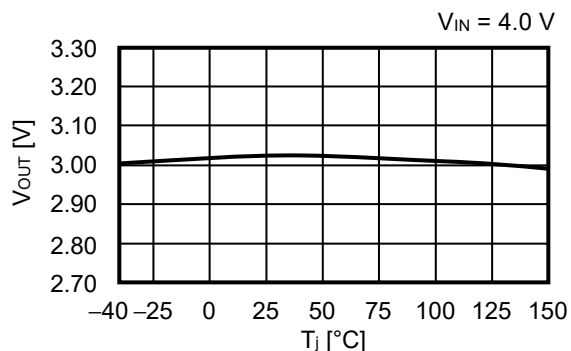


6. Output voltage vs. Junction temperature

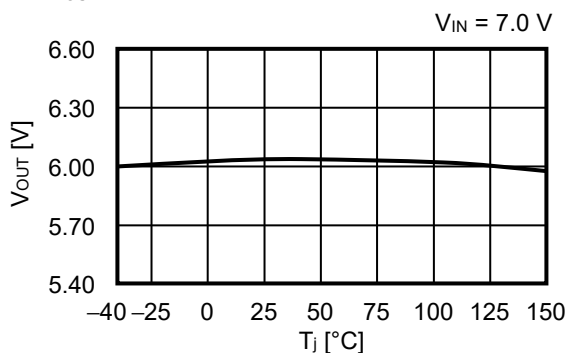
6.1 $V_{OUT} = 1.0\text{ V}$



6.2 $V_{OUT} = 3.0\text{ V}$

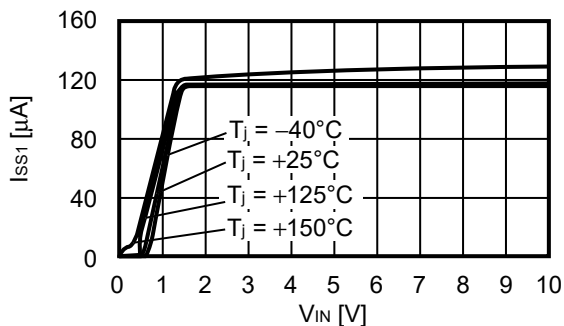


6.3 $V_{OUT} = 6.0\text{ V}$

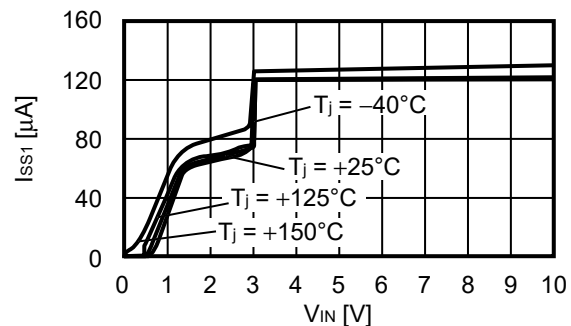


7. Current consumption during operation vs. Input voltage (When ON / OFF pin is ON, no load)

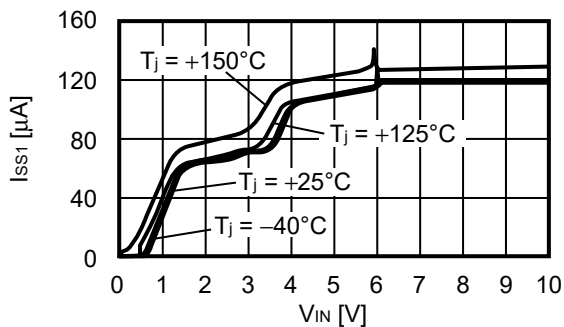
7.1 $V_{OUT} = 1.0\text{ V}$



7.2 $V_{OUT} = 3.0\text{ V}$

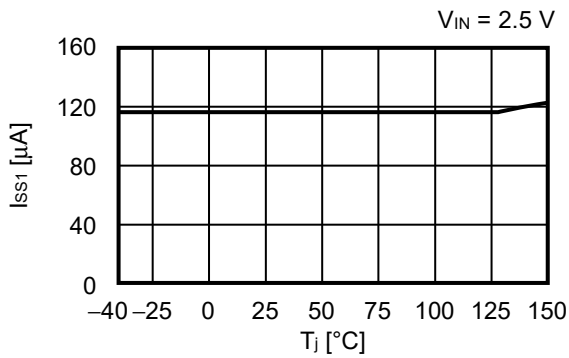


7.3 $V_{OUT} = 6.0\text{ V}$

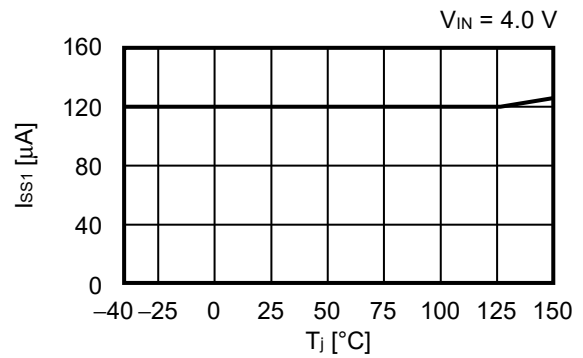


8. Current consumption during operation vs. Junction temperature

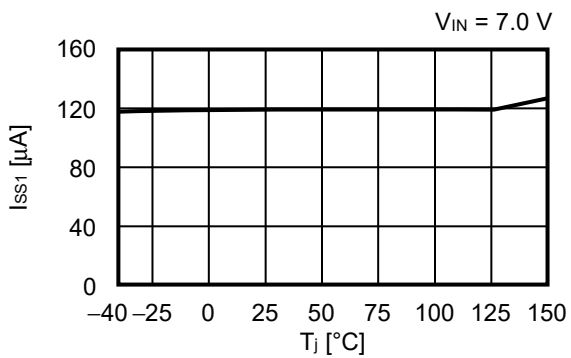
8.1 V_{OUT} = 1.0 V



8.2 V_{OUT} = 3.0 V

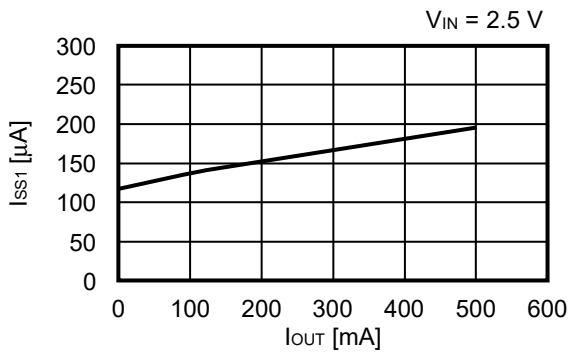


8.3 V_{OUT} = 6.0 V

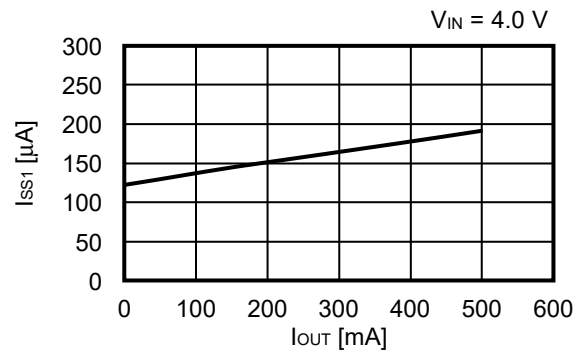


9. Current consumption during operation vs. Output current (T_a = +25°C)

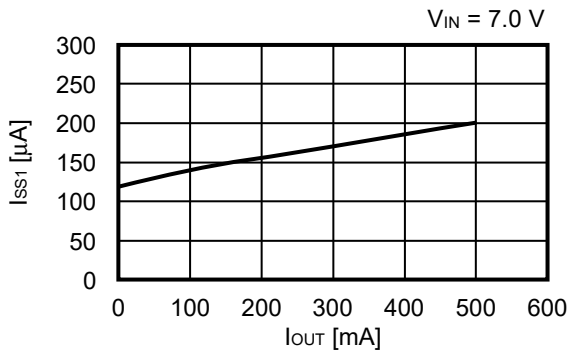
9.1 V_{OUT} = 1.0 V



9.2 V_{OUT} = 3.0 V

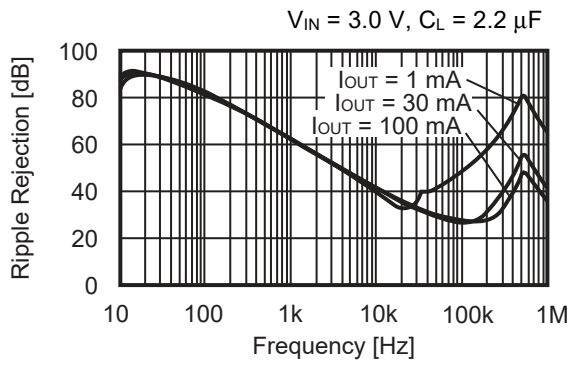


9.3 V_{OUT} = 6.0 V

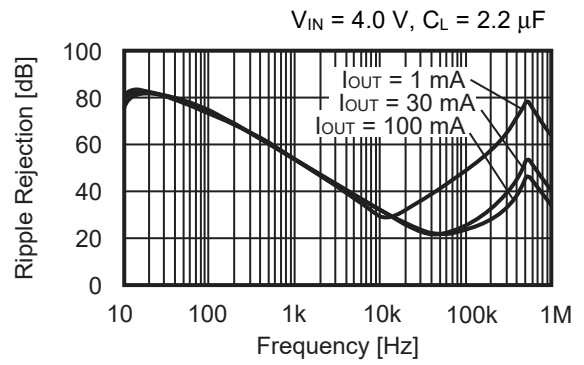


10. Ripple rejection (Ta = +25°C)

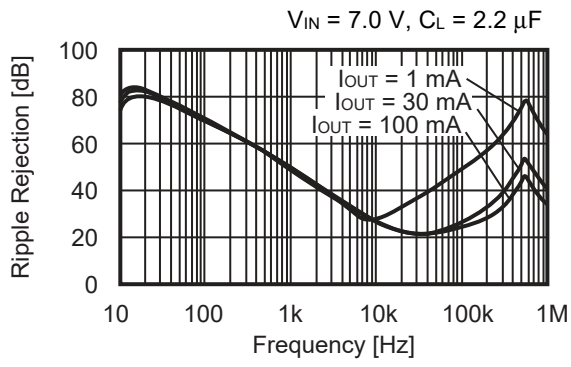
10.1 V_{OUT} = 1.0 V



10.2 V_{OUT} = 3.0 V



10.3 V_{OUT} = 6.0 V

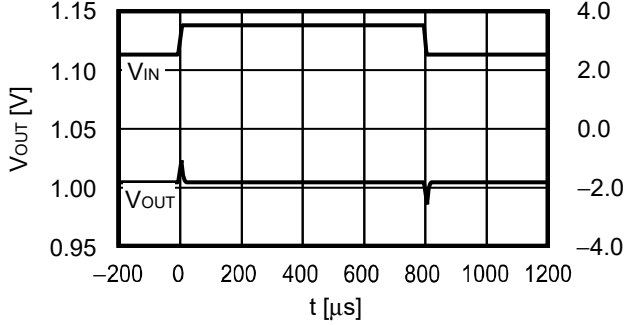


■ Reference Data

1. Characteristics of input transient response (Ta = +25°C)

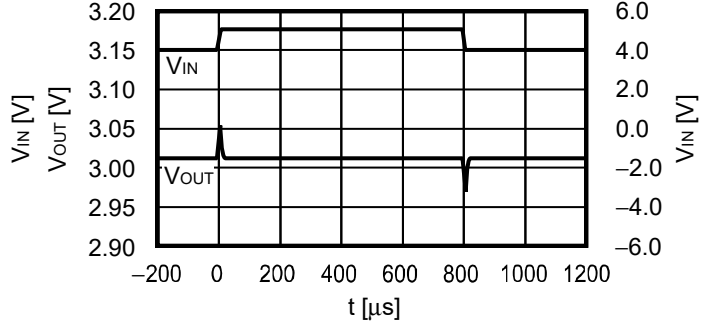
1.1 V_{OUT} = 1.0 V

I_{OUT} = 100 mA, C_L = 2.2 μF, V_{IN} = 2.5 V ↔ 3.5 V, t_r = t_f = 5.0 μs



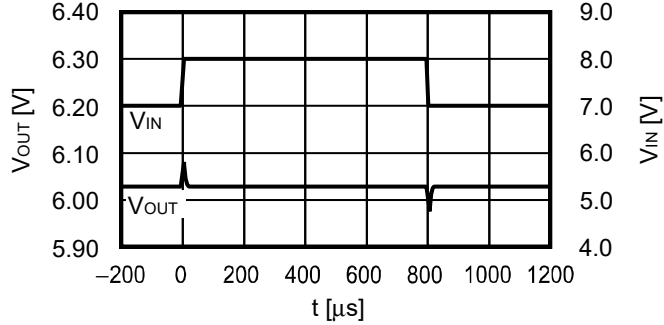
1.2 V_{OUT} = 3.0 V

I_{OUT} = 100 mA, C_L = 2.2 μF, V_{IN} = 4.0 V ↔ 5.0 V, t_r = t_f = 5.0 μs



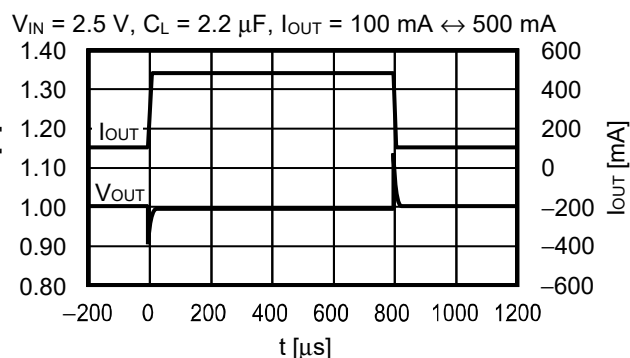
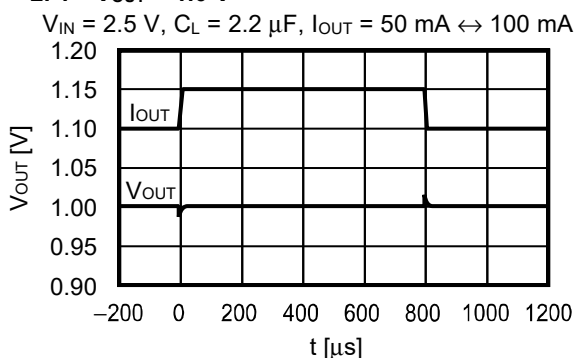
1.3 V_{OUT} = 6.0 V

I_{OUT} = 100 mA, C_L = 2.2 μF, V_{IN} = 7.0 V ↔ 8.0 V, t_r = t_f = 5.0 μs

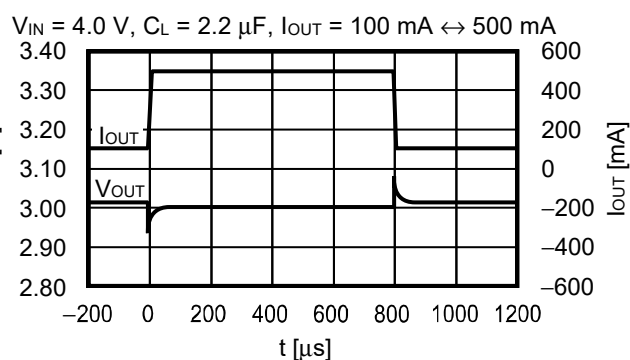
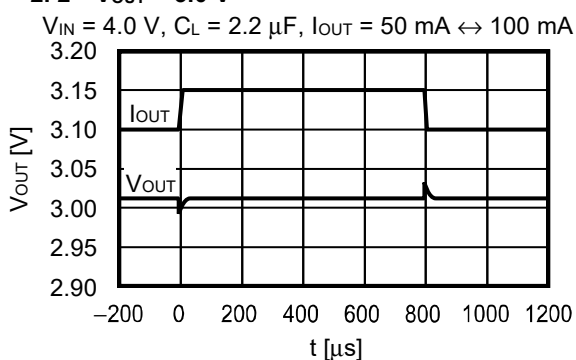


2. Characteristics of load transient response (Ta = +25°C)

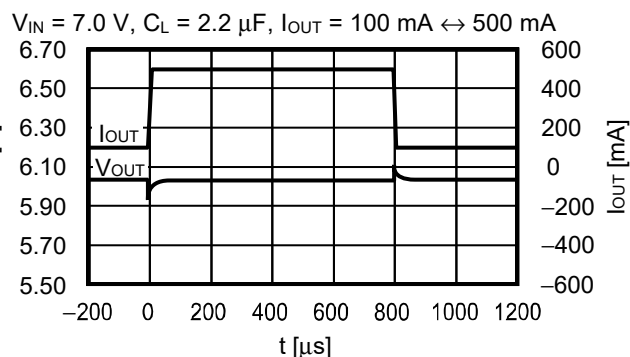
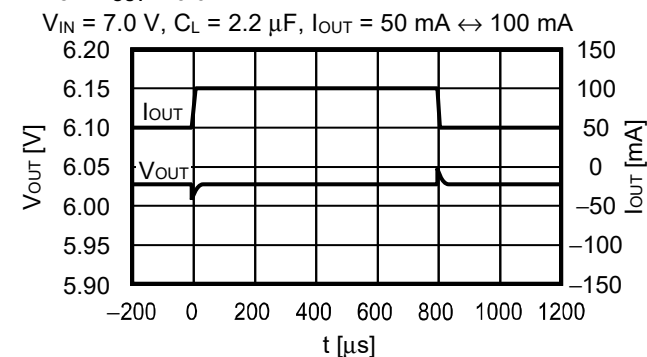
2.1 V_{OUT} = 1.0 V



2.2 V_{OUT} = 3.0 V



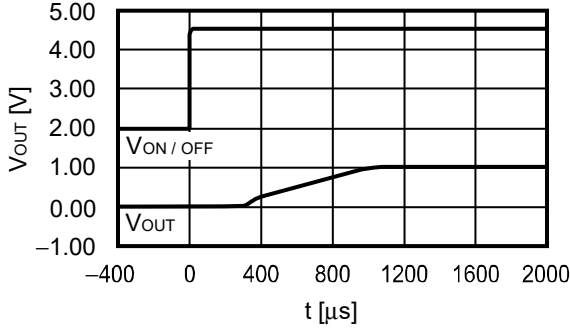
2.3 V_{OUT} = 6.0 V



3. Transient response characteristics of ON / OFF pin ($T_a = +25^\circ\text{C}$) (S-19243xxxA Series A / B / C / D type)

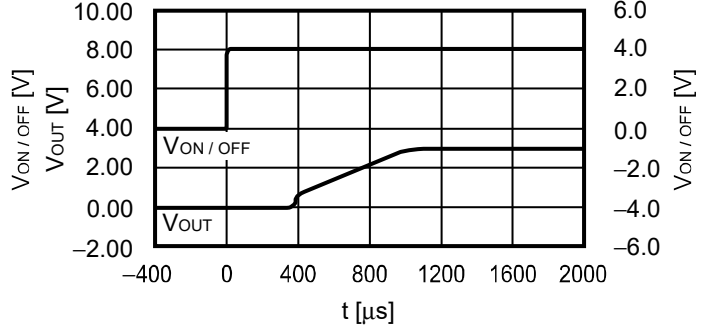
3.1 $V_{OUT} = 1.0\text{ V}$

$V_{IN} = 2.5\text{ V}$, $C_{IN} = C_L = 2.2\ \mu\text{F}$,
 $I_{OUT} = 100\text{ mA}$, $V_{ON/OFF} = 0\text{ V} \rightarrow 2.5\text{ V}$



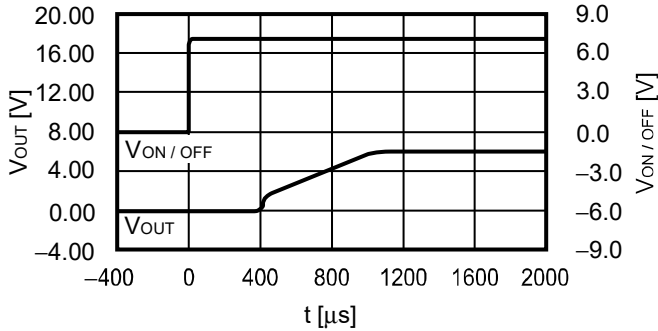
3.2 $V_{OUT} = 3.0\text{ V}$

$V_{IN} = 4.0\text{ V}$, $C_{IN} = C_L = 2.2\ \mu\text{F}$,
 $I_{OUT} = 100\text{ mA}$, $V_{ON/OFF} = 0\text{ V} \rightarrow 4.0\text{ V}$



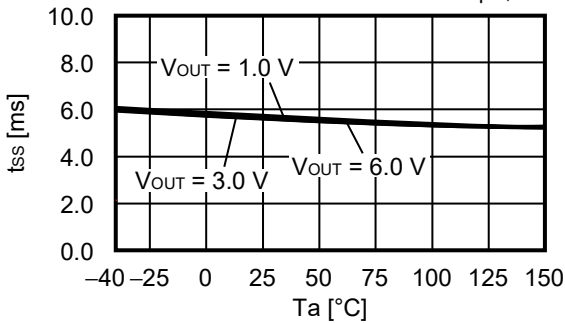
3.3 $V_{OUT} = 6.0\text{ V}$

$V_{IN} = 7.0\text{ V}$, $C_{IN} = C_L = 2.2\ \mu\text{F}$,
 $I_{OUT} = 100\text{ mA}$, $V_{ON/OFF} = 0\text{ V} \rightarrow 7.0\text{ V}$



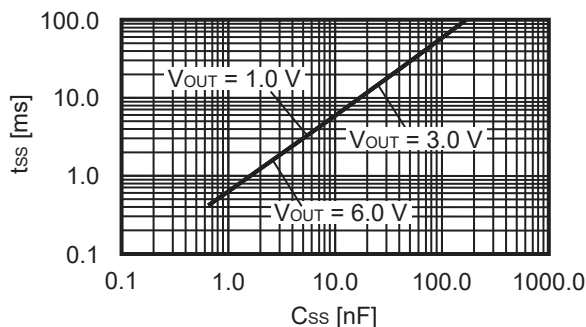
4. Soft-start time vs. Characteristics of operation ambient temperature

$V_{IN} = 2.5\text{ V}$, $V_{ON/OFF} = 0\text{ V} \rightarrow 2.5\text{ V}$ ($V_{OUT(S)} < 1.5\text{ V}$),
 $V_{IN} = V_{OUT} + 1.0\text{ V}$, $V_{ON/OFF} = 0\text{ V} \rightarrow V_{OUT} + 1.0\text{ V}$ ($1.5\text{ V} \leq V_{OUT(S)}$),
 $C_{IN} = C_L = 2.2\ \mu\text{F}$, $C_{SS} = 10\text{ nF}$



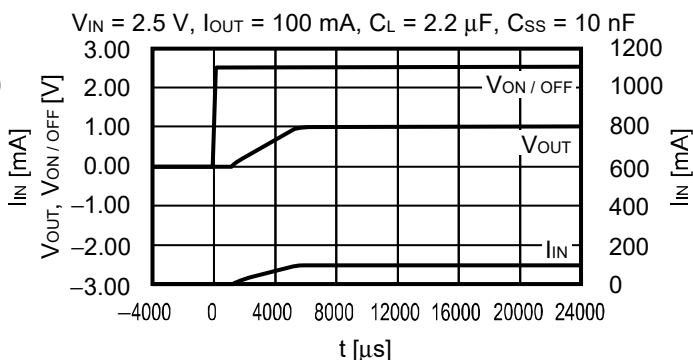
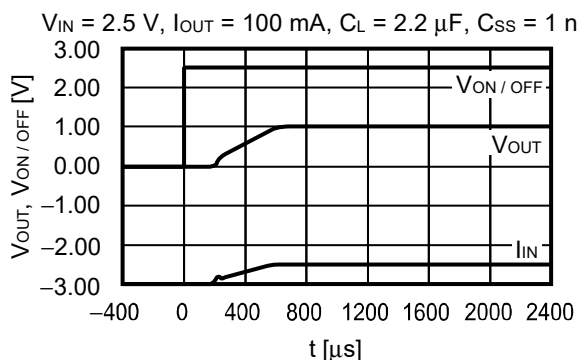
5. Soft-start time vs. Characteristics of soft-start capacitance ($T_a = +25^\circ\text{C}$)

$V_{IN} = 2.5\text{ V}$, $V_{ON/OFF} = 0\text{ V} \rightarrow 2.5\text{ V}$ ($V_{OUT(S)} < 1.5\text{ V}$),
 $V_{IN} = V_{OUT} + 1.0\text{ V}$, $V_{ON/OFF} = 0\text{ V} \rightarrow V_{OUT} + 1.0\text{ V}$ ($1.5\text{ V} \leq V_{OUT(S)}$),
 $C_{IN} = C_L = 2.2\ \mu\text{F}$

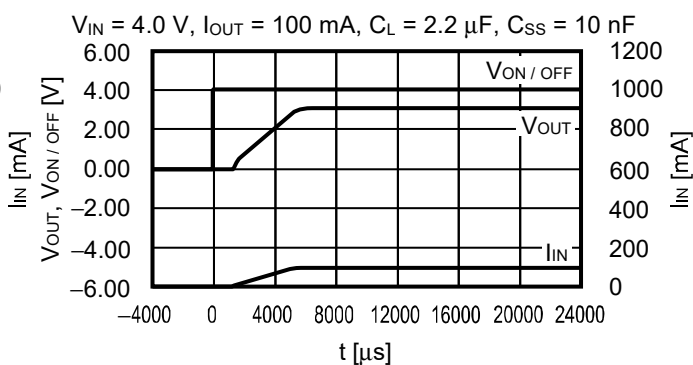
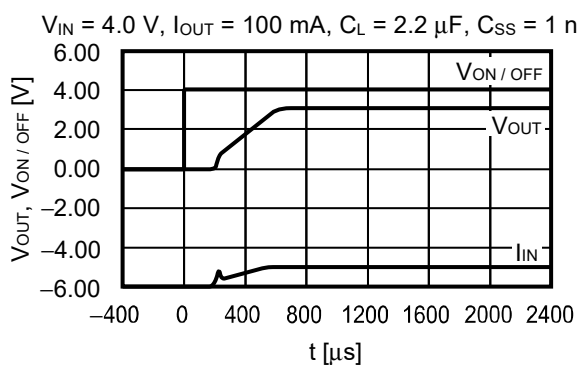


6. Inrush current characteristics (Ta = +25°C) (S-19243xxxA Series E / F / G / H type)

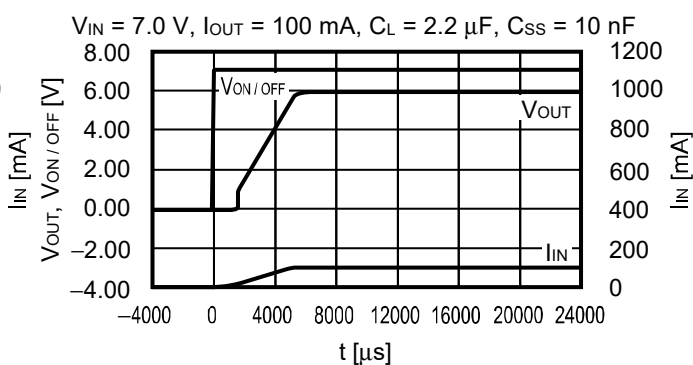
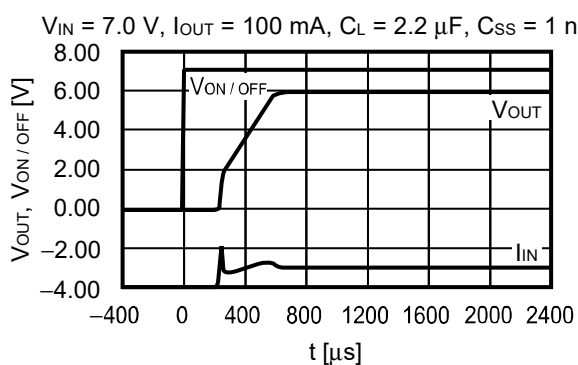
6.1 V_{OUT} = 1.0 V



6.2 V_{OUT} = 3.0 V



6.3 V_{OUT} = 6.0 V



7. Output capacitance vs. Characteristics of discharge time (Ta = +25°C)

$V_{IN} = 2.5\text{ V}, V_{ON/OFF} = 2.5\text{ V} \rightarrow V_{SS} (V_{OUT(S)} < 1.5\text{ V}),$
 $V_{IN} = V_{OUT} + 1.0\text{ V}, V_{ON/OFF} = V_{OUT} + 1.0\text{ V} \rightarrow V_{SS} (1.5\text{ V} \leq V_{OUT(S)}),$
 $I_{OUT} = 1\text{ mA}, t_r = 1\text{ }\mu\text{s}$

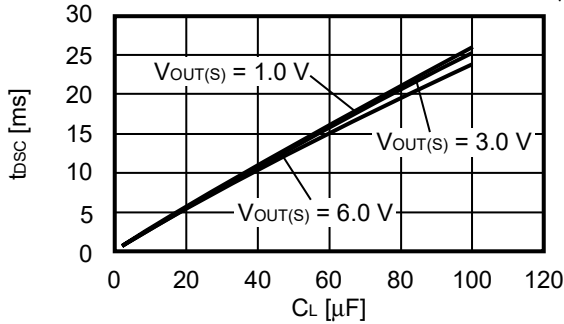
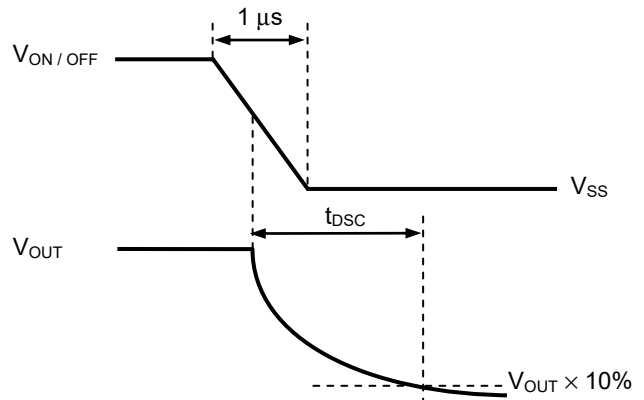


Figure 35 S-19243xxxA Series A / B type (with discharge shunt function)



$V_{IN} = 2.5\text{ V}, V_{ON/OFF} = 2.5\text{ V} \rightarrow V_{SS} (V_{OUT(S)} < 1.5\text{ V}),$
 $V_{IN} = V_{OUT} + 1.0\text{ V}, V_{ON/OFF} = V_{OUT} + 1.0\text{ V} \rightarrow V_{SS} (1.5\text{ V} \leq V_{OUT(S)})$

Figure 36 Measurement Condition of Discharge Time

8. Example of equivalent series resistance vs. Output current characteristics (Ta = +25°C)

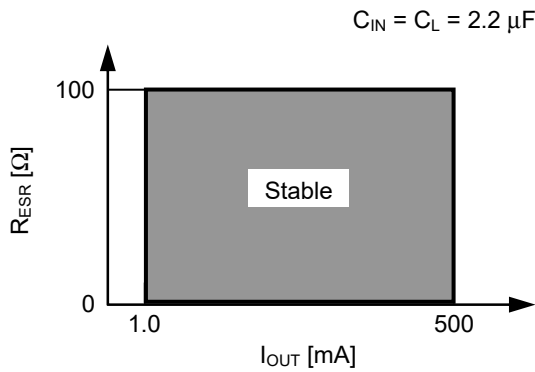
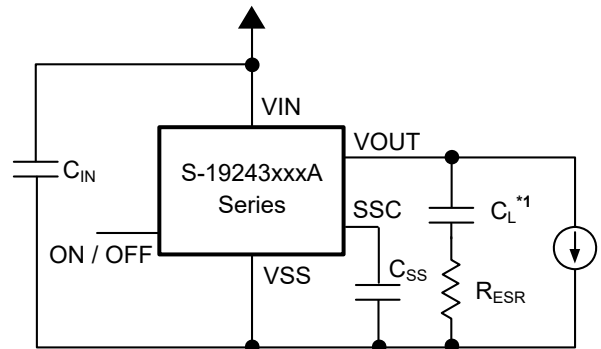


Figure 37

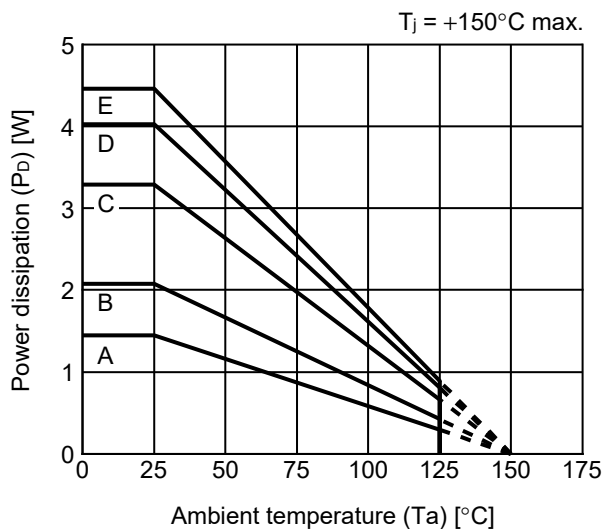


*1. C_L : TDK Corporation CGA6M2X8R1E225K (2.2 μF)

Figure 38

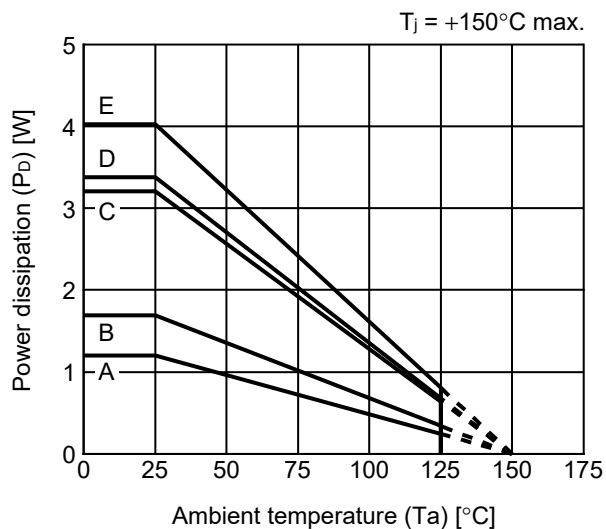
■ Power Dissipation

TO-252-5S(A)



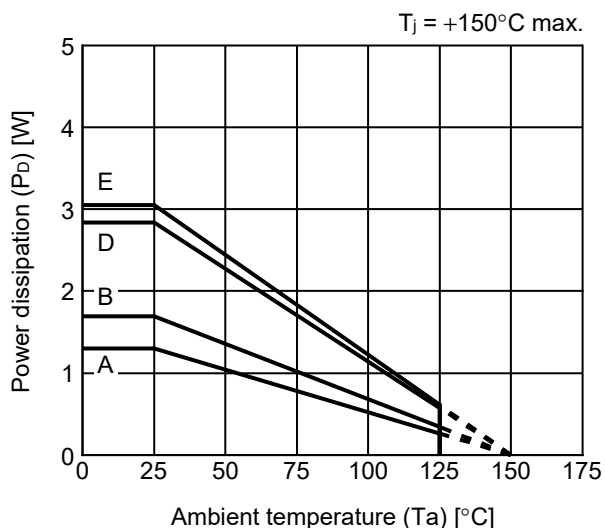
Board	Power Dissipation (Pd)
A	1.45 W
B	2.08 W
C	3.29 W
D	4.03 W
E	4.46 W

HSOP-8A



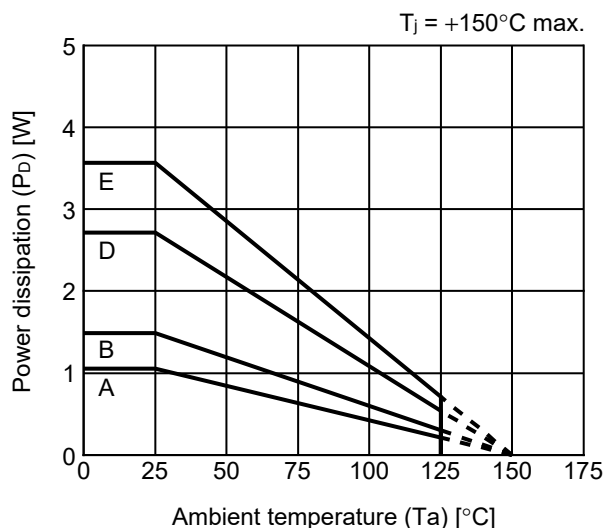
Board	Power Dissipation (Pd)
A	1.20 W
B	1.69 W
C	3.21 W
D	3.38 W
E	4.03 W

HSOP-6



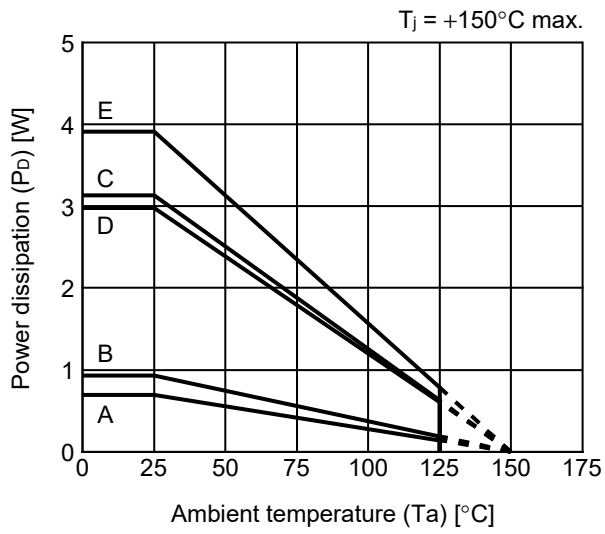
Board	Power Dissipation (Pd)
A	1.30 W
B	1.69 W
C	—
D	2.84 W
E	3.05 W

SOT-89-5



Board	Power Dissipation (Pd)
A	1.05 W
B	1.49 W
C	—
D	2.72 W
E	3.57 W

HSNT-8(2030)

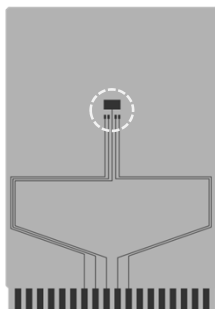


Board	Power Dissipation (Pd)
A	0.69 W
B	0.93 W
C	3.13 W
D	2.98 W
E	3.91 W

TO-252-5S Test Board

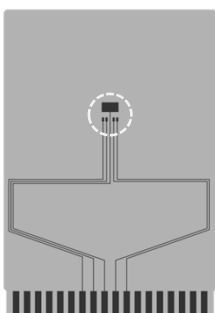
(1) Board A

 IC Mount Area



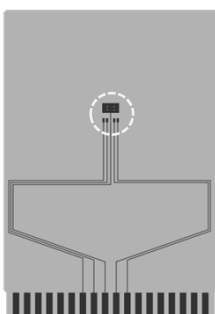
Item	Specification	
Size [mm]	114.3 x 76.2 x t1.6	
Material	FR-4	
Number of copper foil layer	2	
Copper foil layer [mm]	1	Land pattern and wiring for testing: t0.070
	2	-
	3	-
	4	74.2 x 74.2 x t0.070
Thermal via	-	

(2) Board B

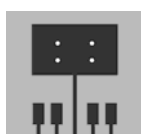


Item	Specification	
Size [mm]	114.3 x 76.2 x t1.6	
Material	FR-4	
Number of copper foil layer	4	
Copper foil layer [mm]	1	Land pattern and wiring for testing: t0.070
	2	74.2 x 74.2 x t0.035
	3	74.2 x 74.2 x t0.035
	4	74.2 x 74.2 x t0.070
Thermal via	-	

(3) Board C



Item	Specification	
Size [mm]	114.3 x 76.2 x t1.6	
Material	FR-4	
Number of copper foil layer	4	
Copper foil layer [mm]	1	Land pattern and wiring for testing: t0.070
	2	74.2 x 74.2 x t0.035
	3	74.2 x 74.2 x t0.035
	4	74.2 x 74.2 x t0.070
Thermal via	Number: 4 Diameter: 0.3 mm	




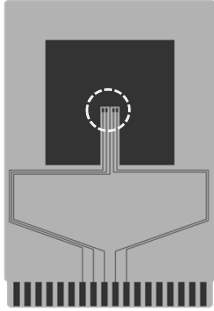
enlarged view

No. TO252-5S-A-Board-SD-1.0

TO-252-5S Test Board

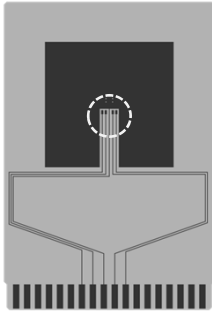
(4) Board D

 IC Mount Area



Item		Specification
Size [mm]		114.3 x 76.2 x t1.6
Material		FR-4
Number of copper foil layer		4
Copper foil layer [mm]	1	Pattern for heat radiation: 2000mm ² t0.070
	2	74.2 x 74.2 x t0.035
	3	74.2 x 74.2 x t0.035
	4	74.2 x 74.2 x t0.070
Thermal via		-

(5) Board E



Item		Specification
Size [mm]		114.3 x 76.2 x t1.6
Material		FR-4
Number of copper foil layer		4
Copper foil layer [mm]	1	Pattern for heat radiation: 2000mm ² t0.070
	2	74.2 x 74.2 x t0.035
	3	74.2 x 74.2 x t0.035
	4	74.2 x 74.2 x t0.070
Thermal via		Number: 4 Diameter: 0.3 mm



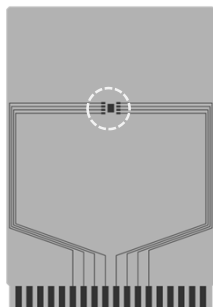
enlarged view

No. TO252-5S-A-Board-SD-1.0

HSOP-8A Test Board

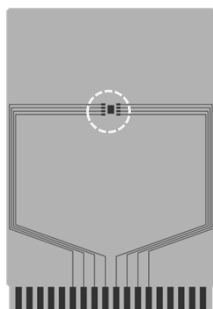
(1) Board A

 IC Mount Area



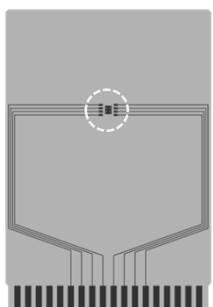
Item		Specification
Size [mm]		114.3 x 76.2 x t1.6
Material		FR-4
Number of copper foil layer		2
Copper foil layer [mm]	1	Land pattern and wiring for testing: t0.070
	2	-
	3	-
	4	74.2 x 74.2 x t0.070
Thermal via		-

(2) Board B

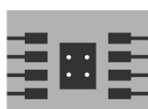


Item		Specification
Size [mm]		114.3 x 76.2 x t1.6
Material		FR-4
Number of copper foil layer		4
Copper foil layer [mm]	1	Land pattern and wiring for testing: t0.070
	2	74.2 x 74.2 x t0.035
	3	74.2 x 74.2 x t0.035
	4	74.2 x 74.2 x t0.070
Thermal via		-

(3) Board C



Item		Specification
Size [mm]		114.3 x 76.2 x t1.6
Material		FR-4
Number of copper foil layer		4
Copper foil layer [mm]	1	Land pattern and wiring for testing: t0.070
	2	74.2 x 74.2 x t0.035
	3	74.2 x 74.2 x t0.035
	4	74.2 x 74.2 x t0.070
Thermal via		Number: 4 Diameter: 0.3 mm



enlarged view

No. HSOP8A-A-Board-SD-1.0

HSOP-8A Test Board

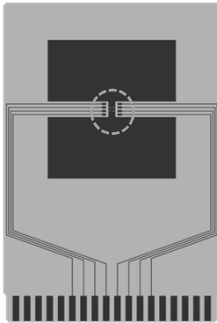
(4) Board D

 IC Mount Area



Item	Specification	
Size [mm]	114.3 x 76.2 x t1.6	
Material	FR-4	
Number of copper foil layer	4	
Copper foil layer [mm]	1	Pattern for heat radiation: 2000mm ² t0.070
	2	74.2 x 74.2 x t0.035
	3	74.2 x 74.2 x t0.035
	4	74.2 x 74.2 x t0.070
Thermal via	-	

(5) Board E




Item	Specification	
Size [mm]	114.3 x 76.2 x t1.6	
Material	FR-4	
Number of copper foil layer	4	
Copper foil layer [mm]	1	Pattern for heat radiation: 2000mm ² t0.070
	2	74.2 x 74.2 x t0.035
	3	74.2 x 74.2 x t0.035
	4	74.2 x 74.2 x t0.070
Thermal via	Number: 4 Diameter: 0.3 mm	



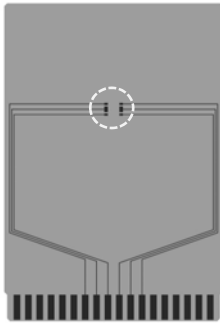
enlarged view

No. HSOP8A-A-Board-SD-1.0

HSOP-6 Test Board

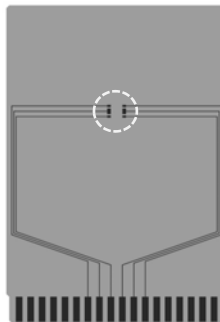
 IC Mount Area

(1) Board A



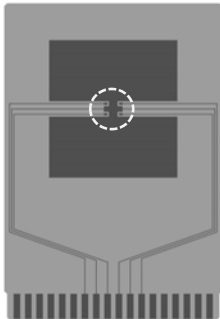
Item	Specification	
Size [mm]	114.3 x 76.2 x t1.6	
Material	FR-4	
Number of copper foil layer	2	
Copper foil layer [mm]	1	Land pattern and wiring for testing: t0.070
	2	-
	3	-
	4	74.2 x 74.2 x t0.070
Thermal via	-	

(2) Board B



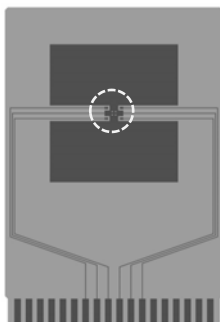
Item	Specification	
Size [mm]	114.3 x 76.2 x t1.6	
Material	FR-4	
Number of copper foil layer	4	
Copper foil layer [mm]	1	Land pattern and wiring for testing: t0.070
	2	74.2 x 74.2 x t0.035
	3	74.2 x 74.2 x t0.035
	4	74.2 x 74.2 x t0.070
Thermal via	-	

(3) Board D



Item	Specification	
Size [mm]	114.3 x 76.2 x t1.6	
Material	FR-4	
Number of copper foil layer	4	
Copper foil layer [mm]	1	Pattern for heat radiation: 2000mm ² t0.070
	2	74.2 x 74.2 x t0.035
	3	74.2 x 74.2 x t0.035
	4	74.2 x 74.2 x t0.070
Thermal via	-	

(4) Board E




Item	Specification	
Size [mm]	114.3 x 76.2 x t1.6	
Material	FR-4	
Number of copper foil layer	4	
Copper foil layer [mm]	1	Pattern for heat radiation: 2000mm ² t0.070
	2	74.2 x 74.2 x t0.035
	3	74.2 x 74.2 x t0.035
	4	74.2 x 74.2 x t0.070
Thermal via	Number: 4 Diameter: 0.3 mm	



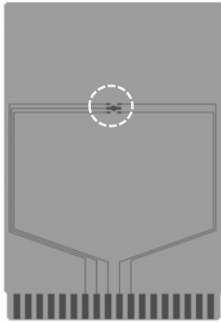
enlarged view

No. HSOP6-A-Board-SD-1.0

SOT-89-5 Test Board

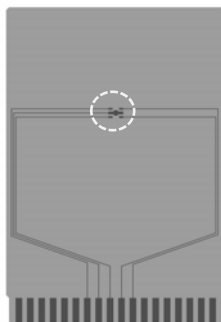
 IC Mount Area

(1) Board A



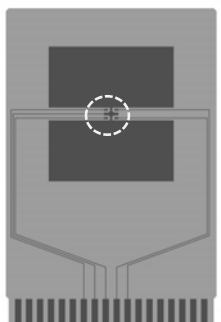
Item		Specification
Size [mm]		114.3 x 76.2 x t1.6
Material		FR-4
Number of copper foil layer		2
Copper foil layer [mm]	1	Land pattern and wiring for testing: t0.070
	2	-
	3	-
	4	74.2 x 74.2 x t0.070
Thermal via		-

(2) Board B



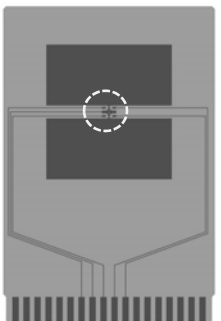
Item		Specification
Size [mm]		114.3 x 76.2 x t1.6
Material		FR-4
Number of copper foil layer		4
Copper foil layer [mm]	1	Land pattern and wiring for testing: t0.070
	2	74.2 x 74.2 x t0.035
	3	74.2 x 74.2 x t0.035
	4	74.2 x 74.2 x t0.070
Thermal via		-

(3) Board D



Item		Specification
Size [mm]		114.3 x 76.2 x t1.6
Material		FR-4
Number of copper foil layer		4
Copper foil layer [mm]	1	Pattern for heat radiation: 2000mm ² t0.070
	2	74.2 x 74.2 x t0.035
	3	74.2 x 74.2 x t0.035
	4	74.2 x 74.2 x t0.070
Thermal via		-

(4) Board E




Item		Specification
Size [mm]		114.3 x 76.2 x t1.6
Material		FR-4
Number of copper foil layer		4
Copper foil layer [mm]	1	Pattern for heat radiation: 2000mm ² t0.070
	2	74.2 x 74.2 x t0.035
	3	74.2 x 74.2 x t0.035
	4	74.2 x 74.2 x t0.070
Thermal via		Number: 4 Diameter: 0.3 mm



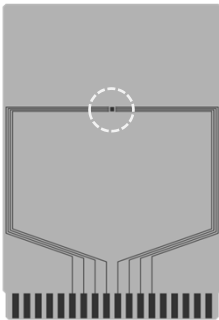
enlarged view

No. SOT895-A-Board-SD-1.0

HSNT-8(2030) Test Board

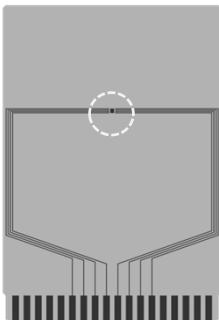
 IC Mount Area

(1) Board A



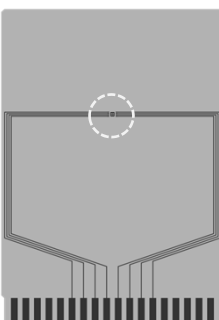
Item	Specification	
Size [mm]	114.3 x 76.2 x t1.6	
Material	FR-4	
Number of copper foil layer	2	
Copper foil layer [mm]	1	Land pattern and wiring for testing: t0.070
	2	-
	3	-
	4	74.2 x 74.2 x t0.070
Thermal via	-	

(2) Board B



Item	Specification	
Size [mm]	114.3 x 76.2 x t1.6	
Material	FR-4	
Number of copper foil layer	4	
Copper foil layer [mm]	1	Land pattern and wiring for testing: t0.070
	2	74.2 x 74.2 x t0.035
	3	74.2 x 74.2 x t0.035
	4	74.2 x 74.2 x t0.070
Thermal via	-	

(3) Board C




Item	Specification	
Size [mm]	114.3 x 76.2 x t1.6	
Material	FR-4	
Number of copper foil layer	4	
Copper foil layer [mm]	1	Land pattern and wiring for testing: t0.070
	2	74.2 x 74.2 x t0.035
	3	74.2 x 74.2 x t0.035
	4	74.2 x 74.2 x t0.070
Thermal via	Number: 4 Diameter: 0.3 mm	



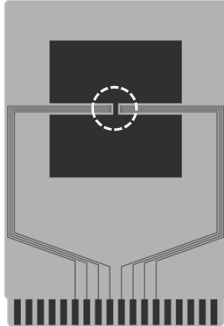
enlarged view

No. HSNT8-A-Board-SD-2.0

HSNT-8(2030) Test Board

 IC Mount Area

(4) Board D

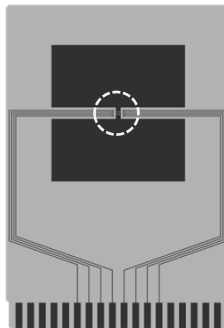


Item	Specification	
Size [mm]	114.3 x 76.2 x t1.6	
Material	FR-4	
Number of copper foil layer	4	
Copper foil layer [mm]	1	Pattern for heat radiation: 2000mm ² t0.070
	2	74.2 x 74.2 x t0.035
	3	74.2 x 74.2 x t0.035
	4	74.2 x 74.2 x t0.070
Thermal via	-	



enlarged view

(5) Board E

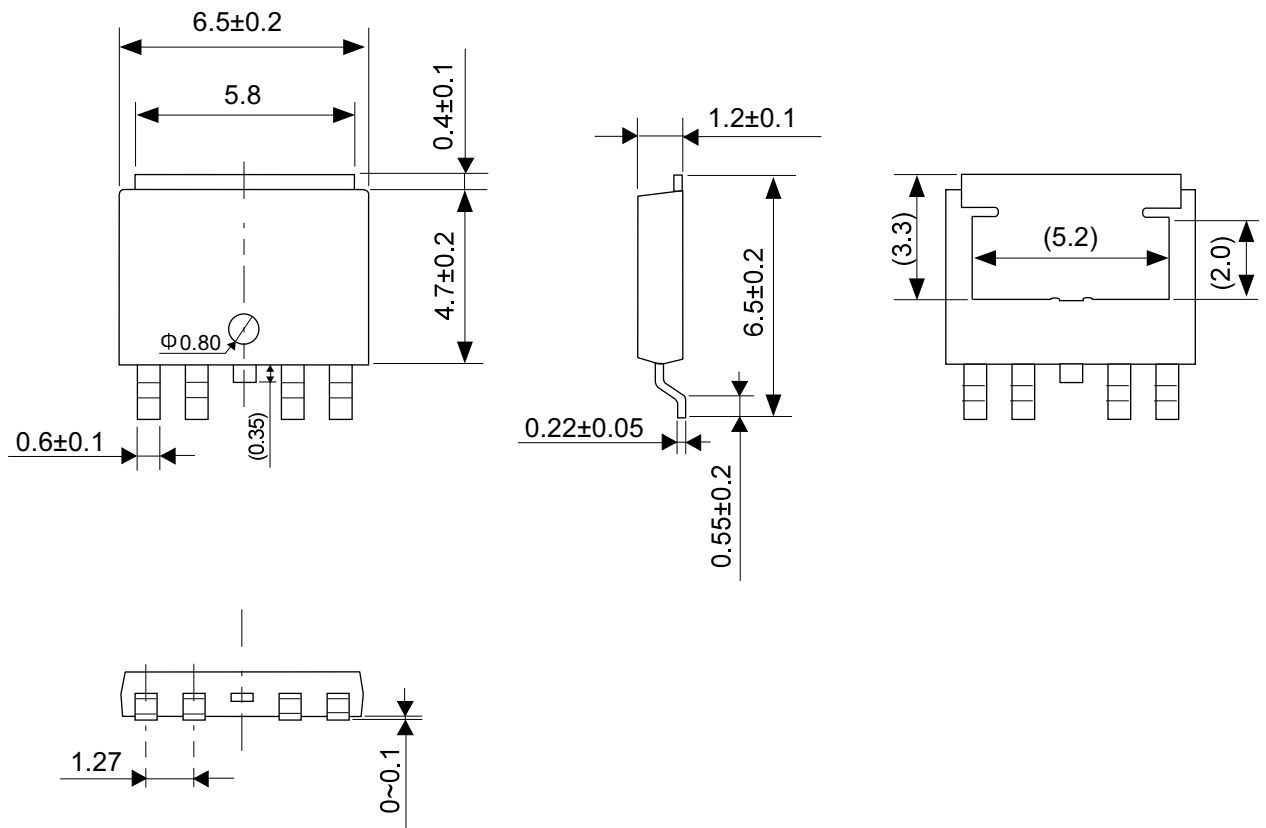


Item	Specification	
Size [mm]	114.3 x 76.2 x t1.6	
Material	FR-4	
Number of copper foil layer	4	
Copper foil layer [mm]	1	Pattern for heat radiation: 2000mm ² t0.070
	2	74.2 x 74.2 x t0.035
	3	74.2 x 74.2 x t0.035
	4	74.2 x 74.2 x t0.070
Thermal via	Number: 4 Diameter: 0.3 mm	



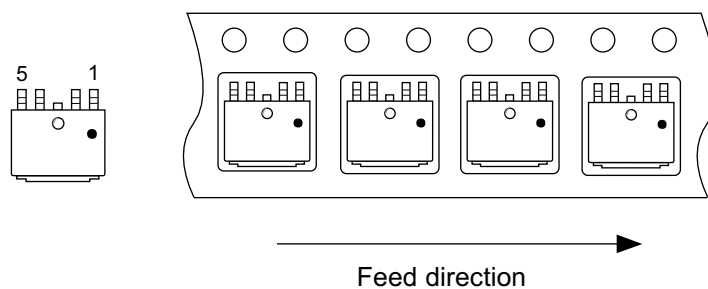
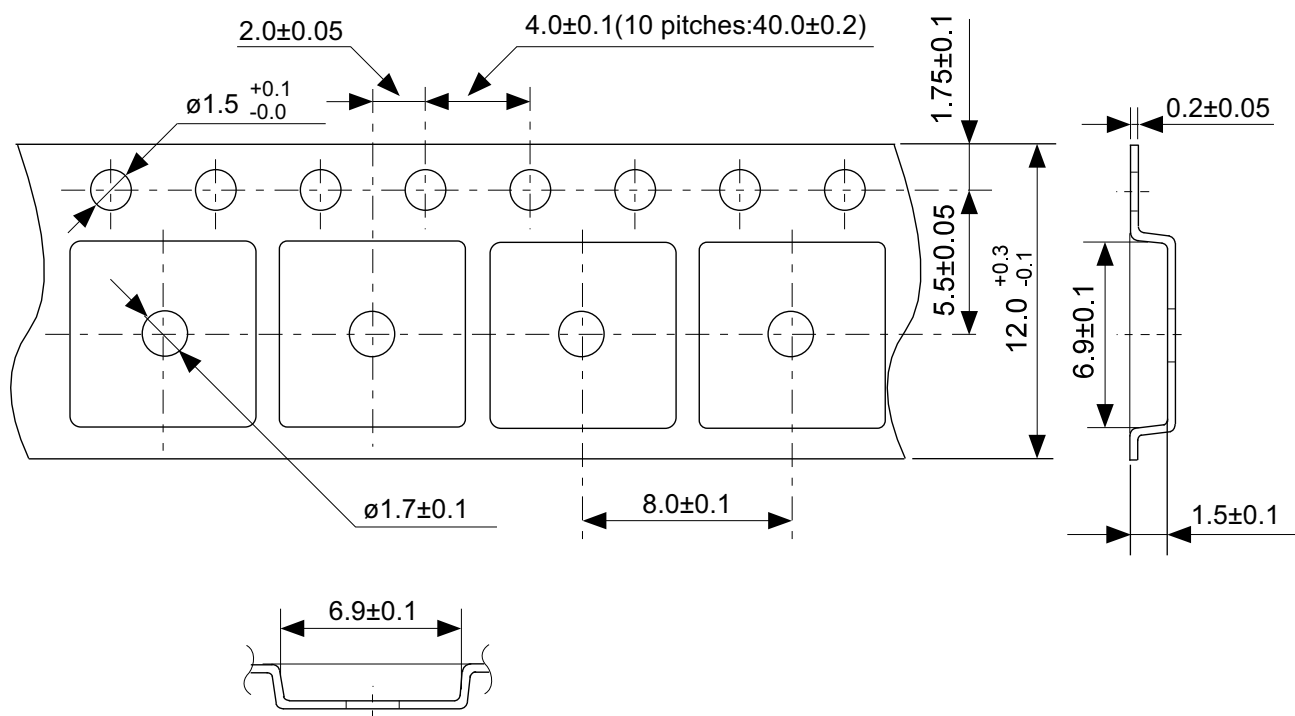
enlarged view

No. HSNT8-A-Board-SD-2.0



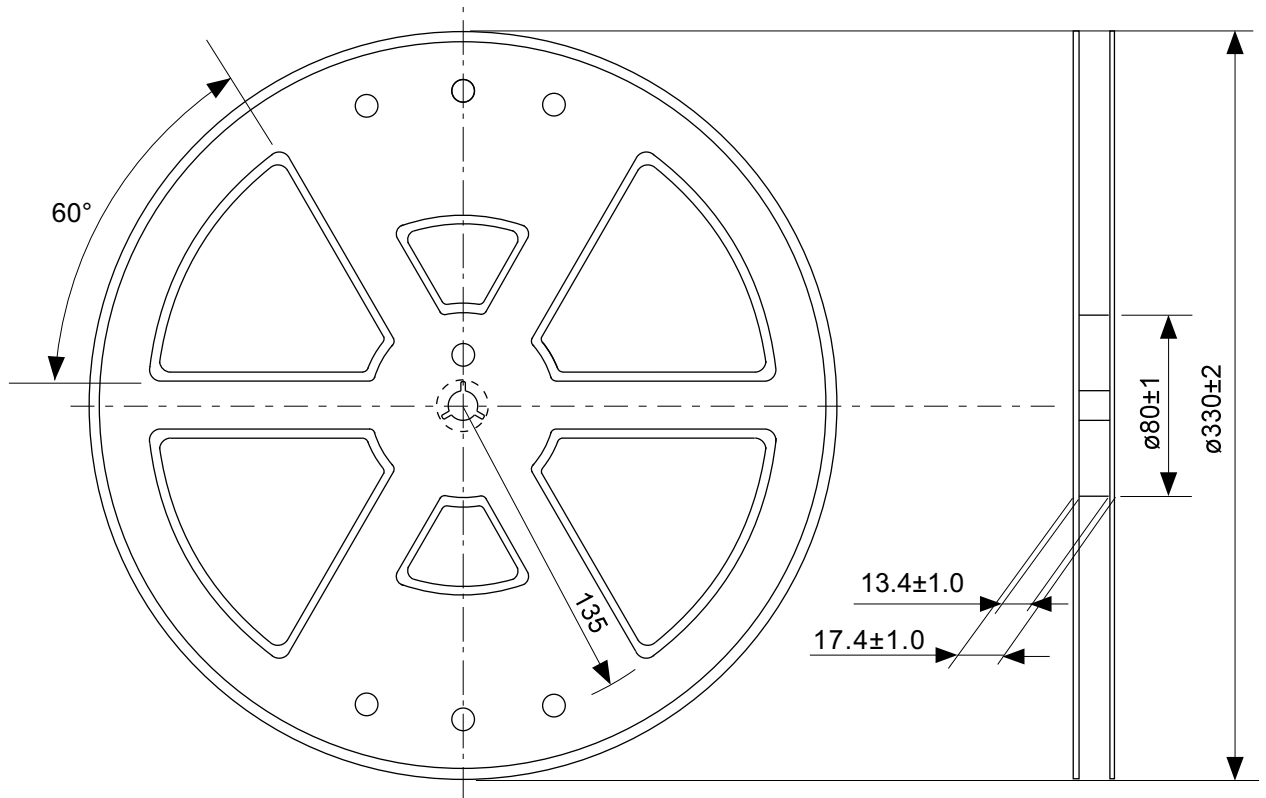
No. VA005-A-P-SD-2.0

TITLE	TO-252-5S-A-PKG Dimensions
No.	VA005-A-P-SD-2.0
ANGLE	
UNIT	mm
ABLIC Inc.	

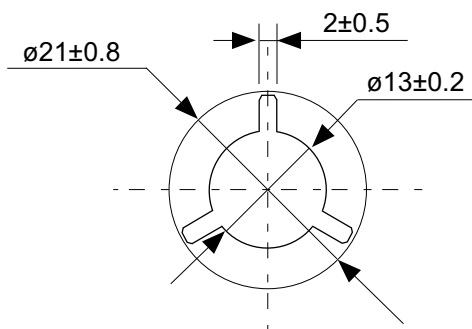


No. VA005-A-C-SD-1.0

TITLE	TO-252-5S-A-Carrier Tape
No.	VA005-A-C-SD-1.0
ANGLE	
UNIT	mm
ABLIC Inc.	

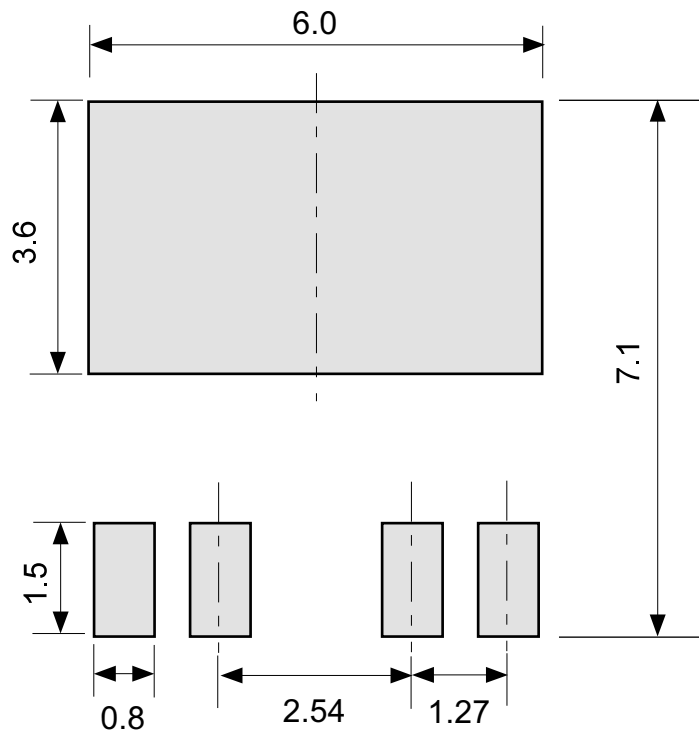


Enlarged drawing in the central part



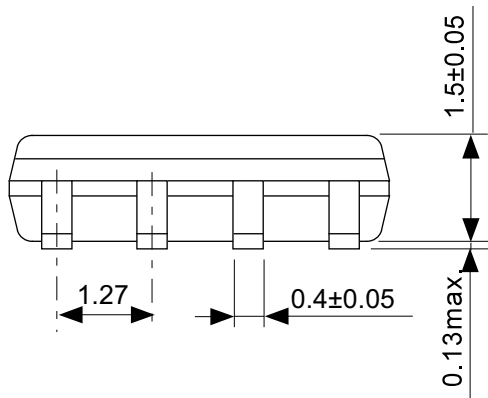
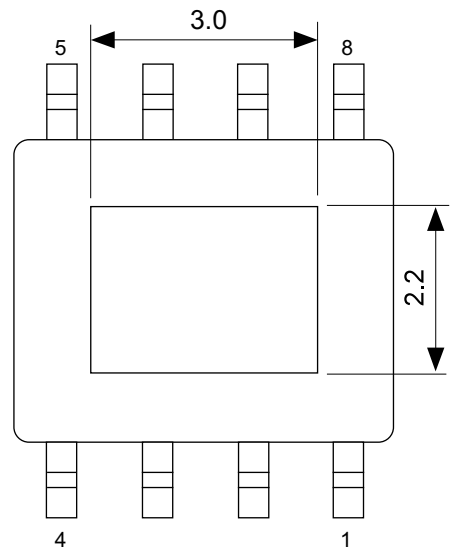
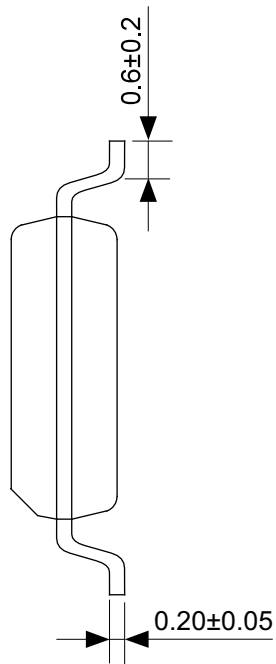
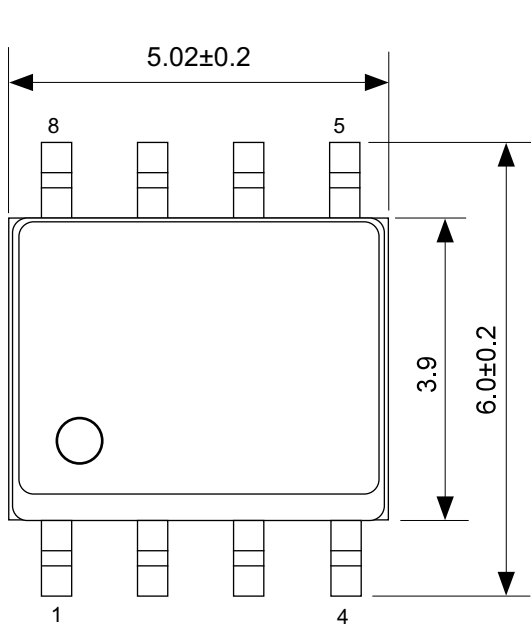
No. VA005-A-R-SD-1.1

TITLE	TO-252-5S-A-Reel		
No.	VA005-A-R-SD-1.1		
ANGLE		QTY.	4,000
UNIT	mm		
ABLIC Inc.			



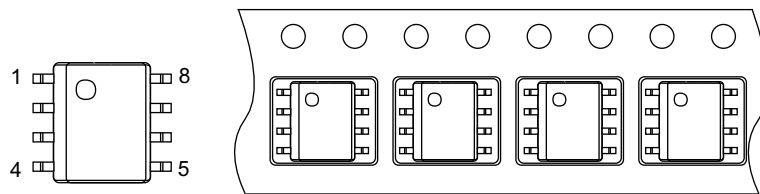
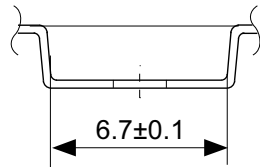
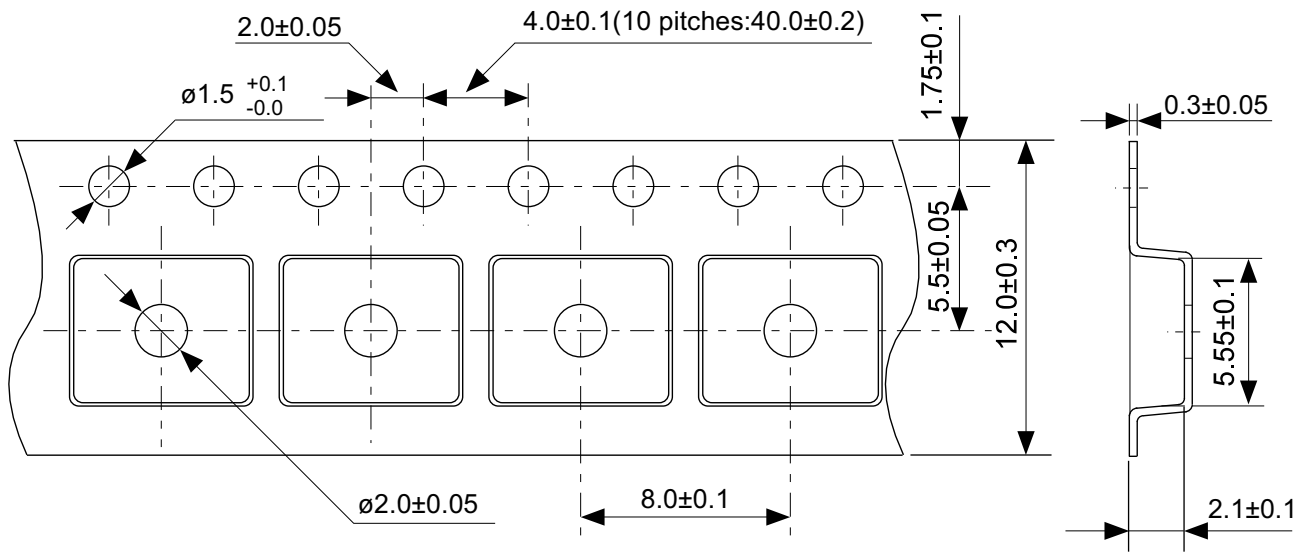
No. VA005-A-L-SD-1.0

TITLE	TO-252-5S-A -Land Recommendation
No.	VA005-A-L-SD-1.0
ANGLE	
UNIT	mm
ABLIC Inc.	



No. FH008-A-P-SD-2.0

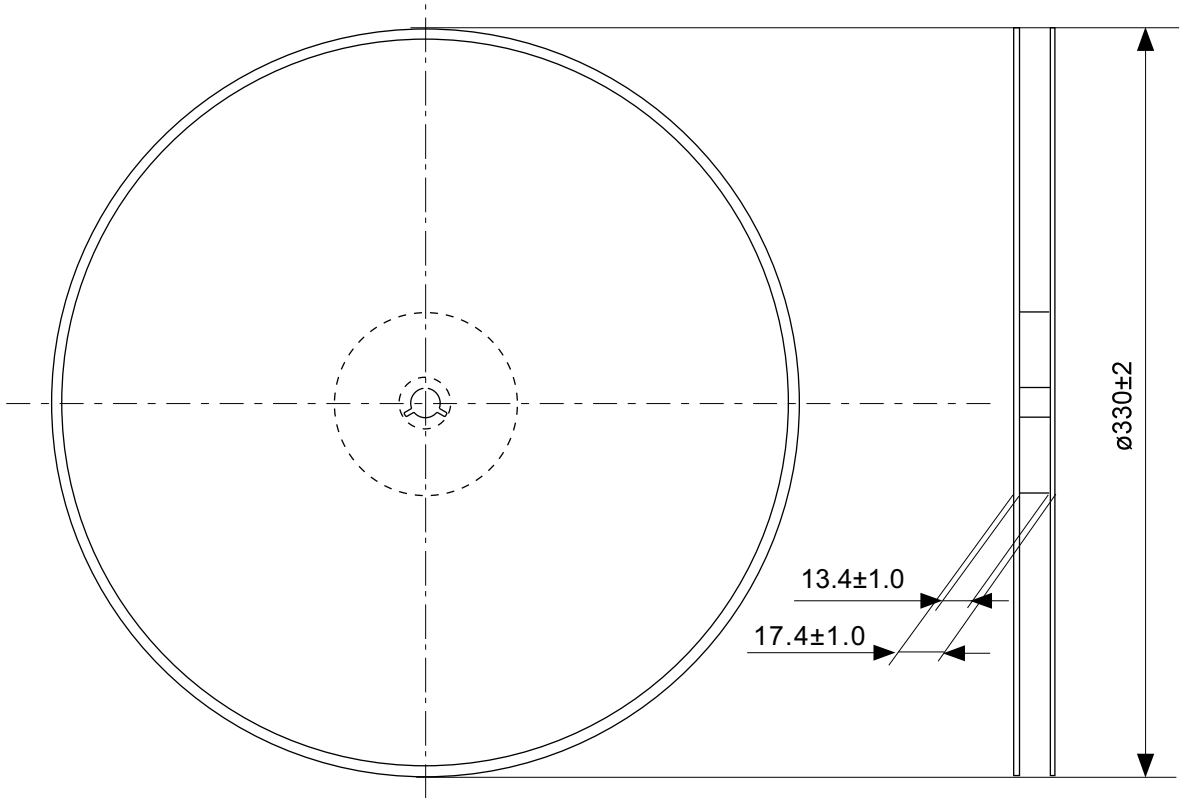
TITLE	HSOP8A-A-PKG Dimensions
No.	FH008-A-P-SD-2.0
ANGLE	
UNIT	mm
ABLIC Inc.	



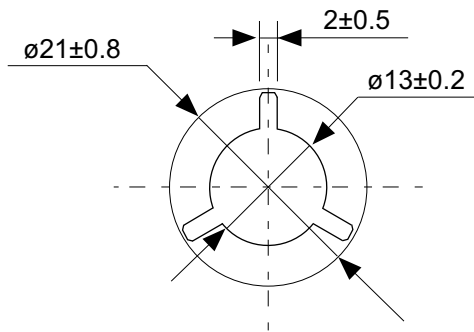
→
Feed direction

No. FH008-A-C-SD-1.0

TITLE	HSOP8A-A-Carrier Tape
No.	FH008-A-C-SD-1.0
ANGLE	
UNIT	mm
ABLIC Inc.	

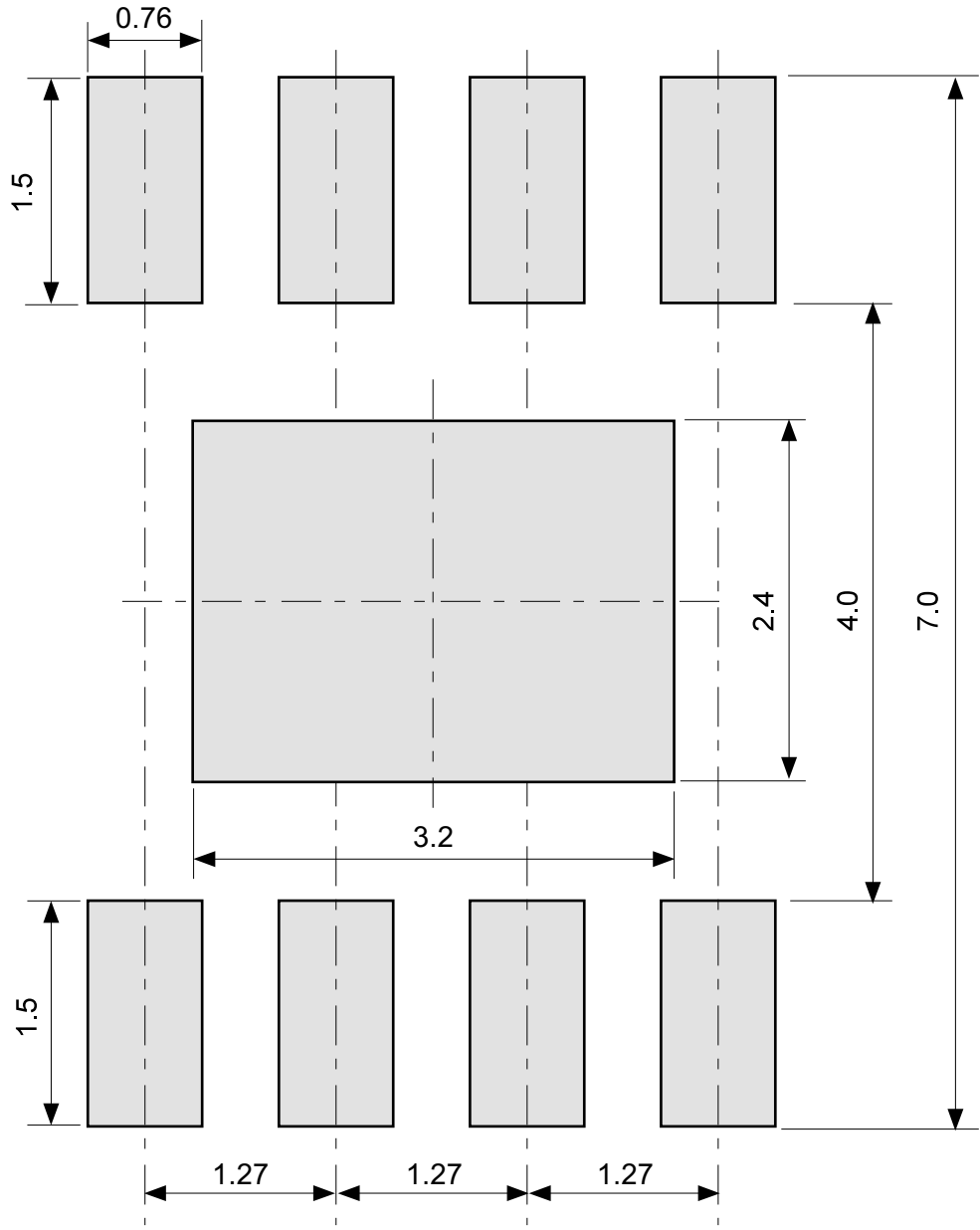


Enlarged drawing in the central part



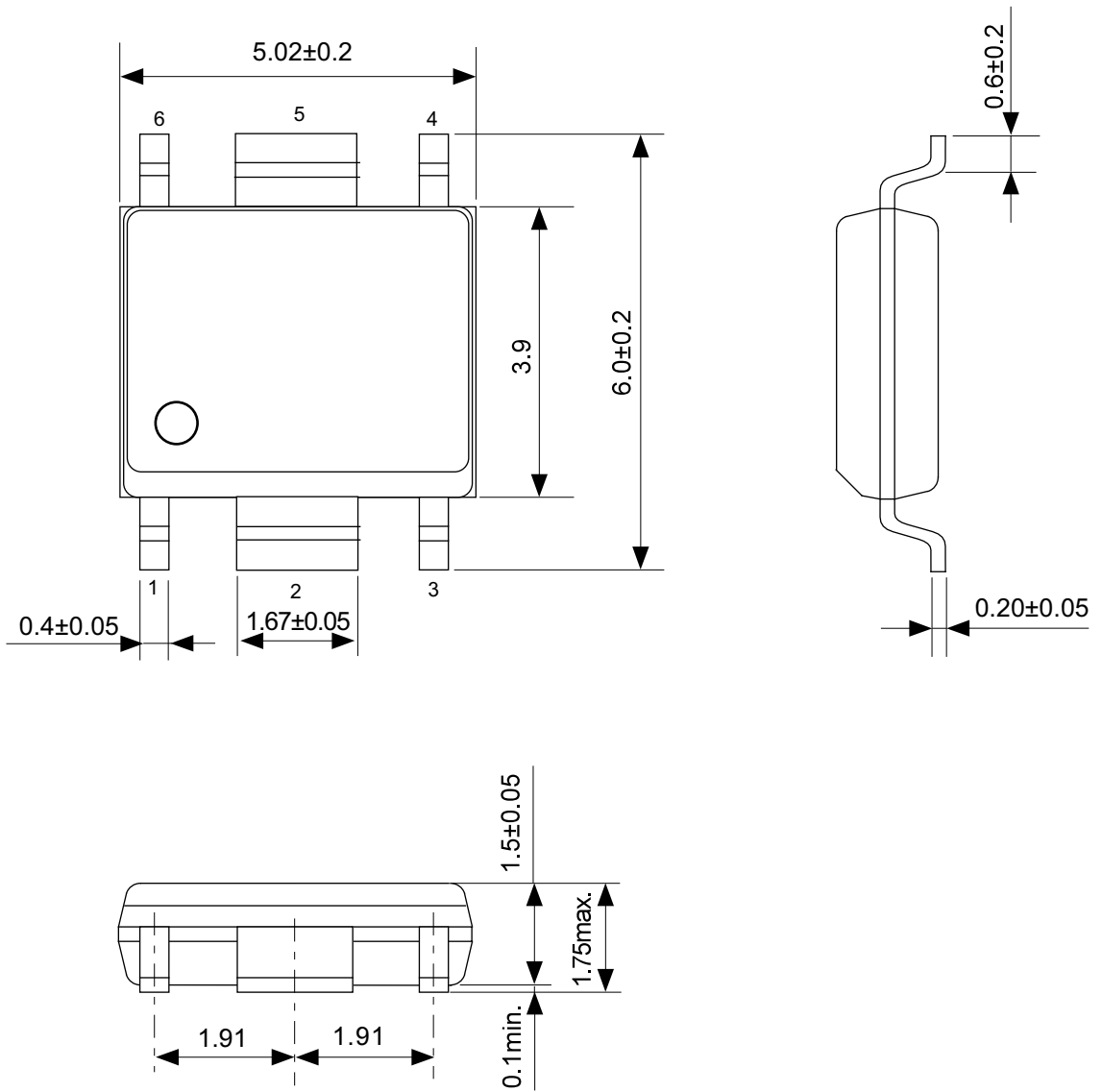
No. FH008-A-R-SD-1.1

TITLE	HSOP8A-A-Reel		
No.	FH008-A-R-SD-1.1		
ANGLE		QTY.	4,000
UNIT	mm		
ABLIC Inc.			

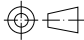


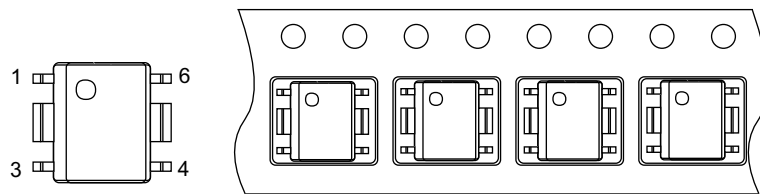
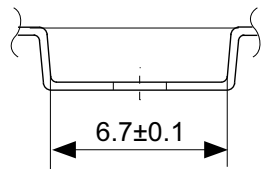
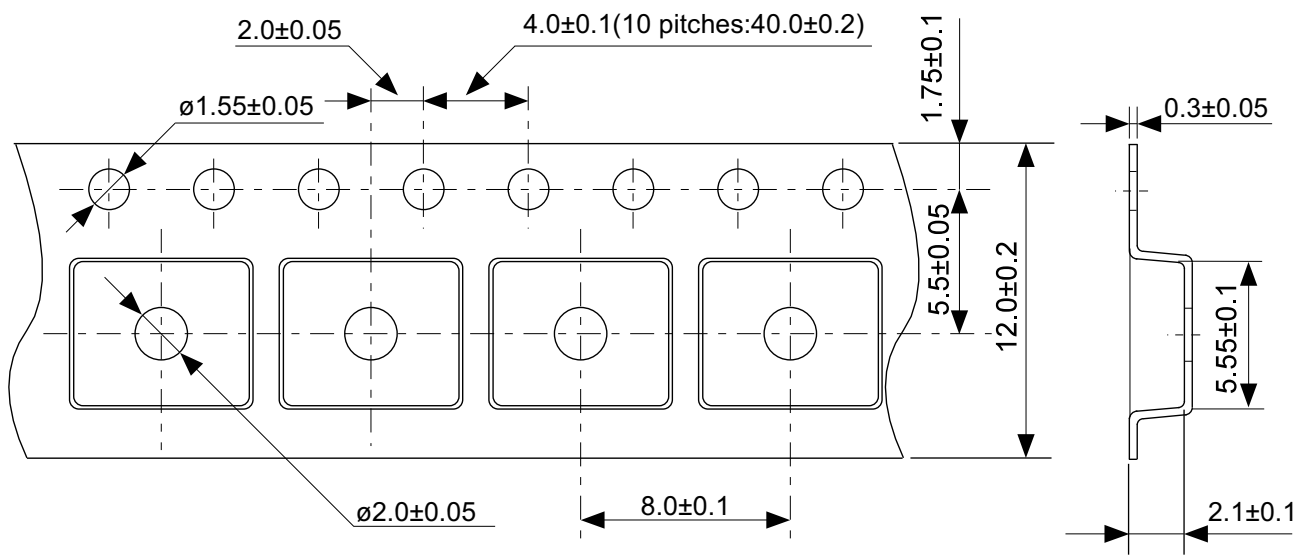
No. FH008-A-L-SD-1.0

TITLE	HSOP8A-A -Land Recommendation
No.	FH008-A-L-SD-1.0
ANGLE	
UNIT	mm
ABLIC Inc.	



No. FH006-A-P-SD-2.1

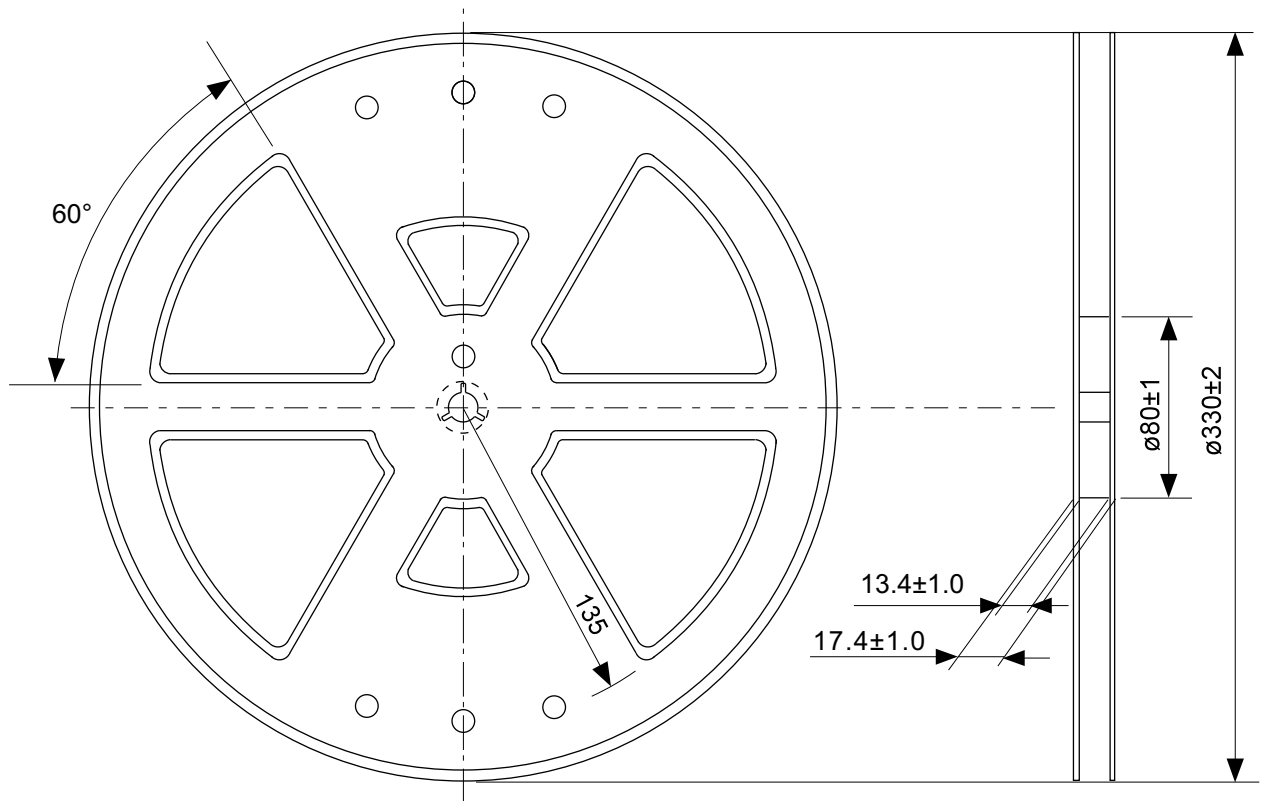
TITLE	HSOP6-A-PKG Dimensions
No.	FH006-A-P-SD-2.1
ANGLE	
UNIT	mm
ABLIC Inc.	



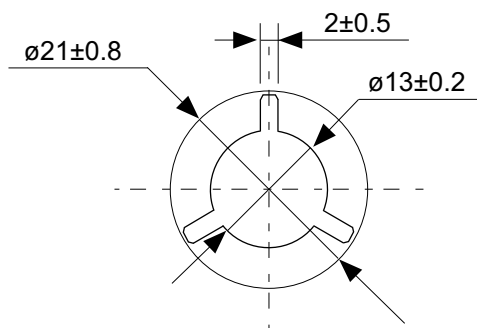
→
Feed direction

No. FH006-A-C-SD-2.0

TITLE	HSOP6-A-Carrier Tape
No.	FH006-A-C-SD-2.0
ANGLE	
UNIT	mm
ABLIC Inc.	

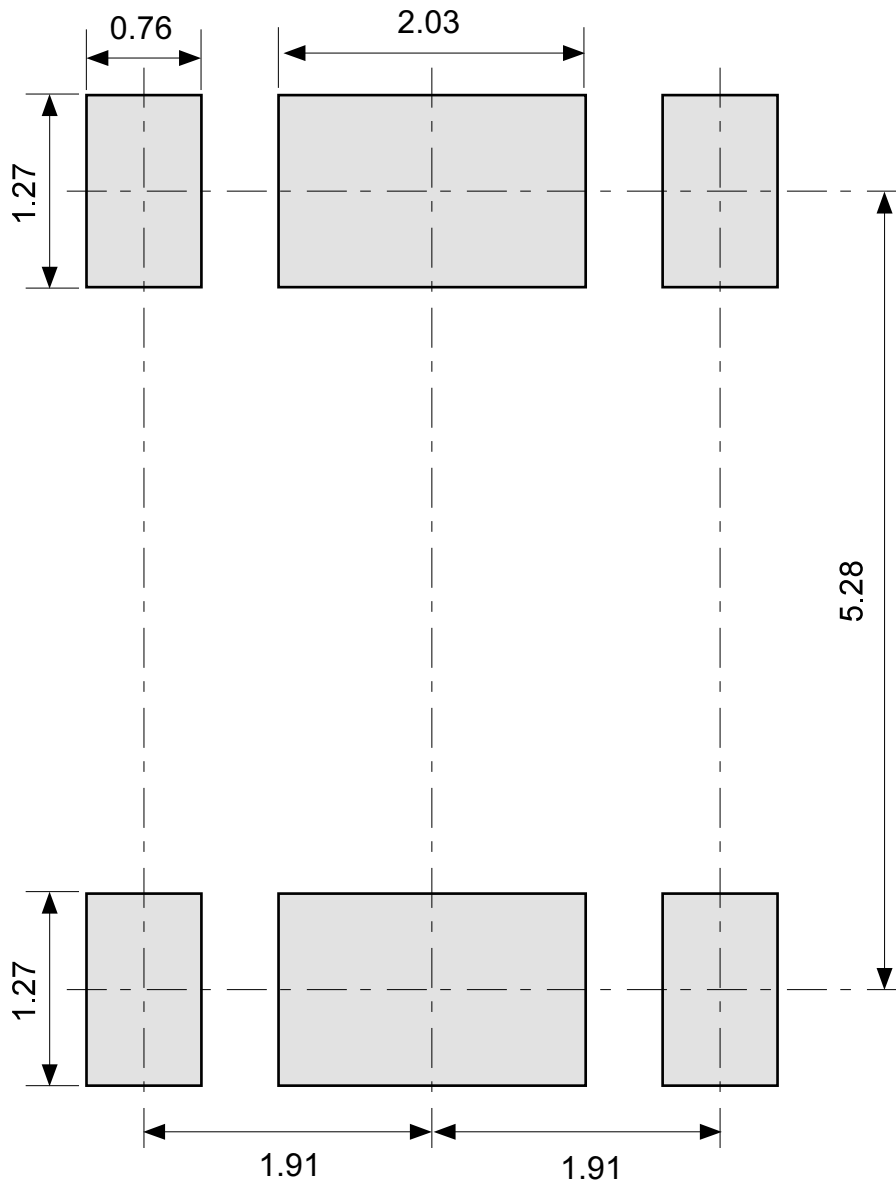


Enlarged drawing in the central part



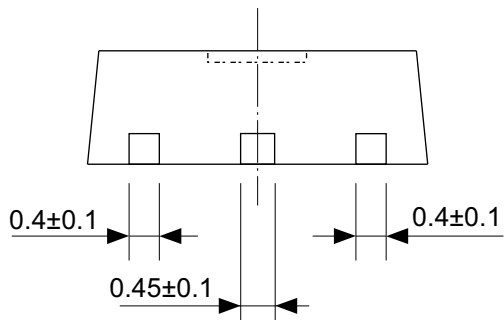
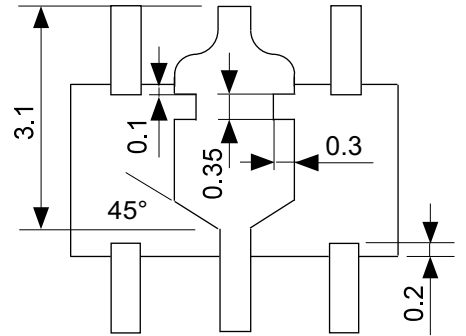
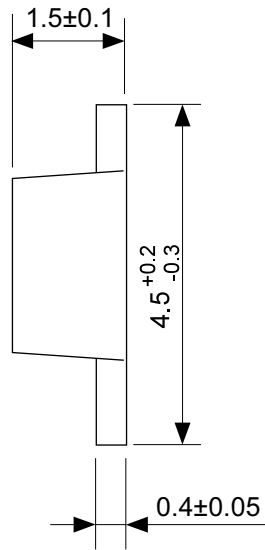
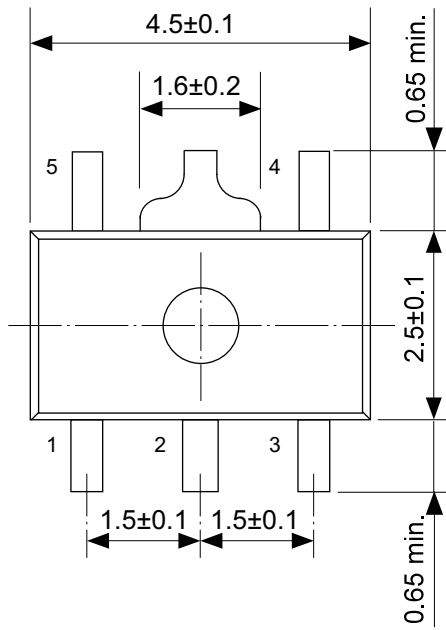
No. FH006-A-R-S1-2.0

TITLE	HSOP6-A-Reel		
No.	FH006-A-R-S1-2.0		
ANGLE		QTY.	4,000
UNIT	mm		
ABLIC Inc.			



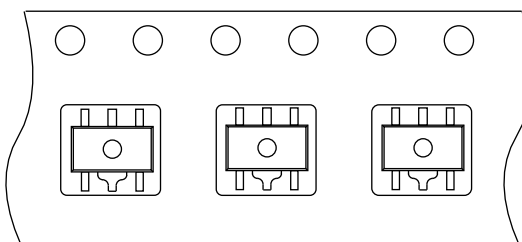
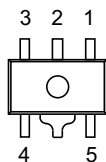
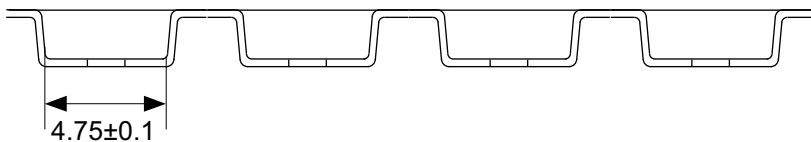
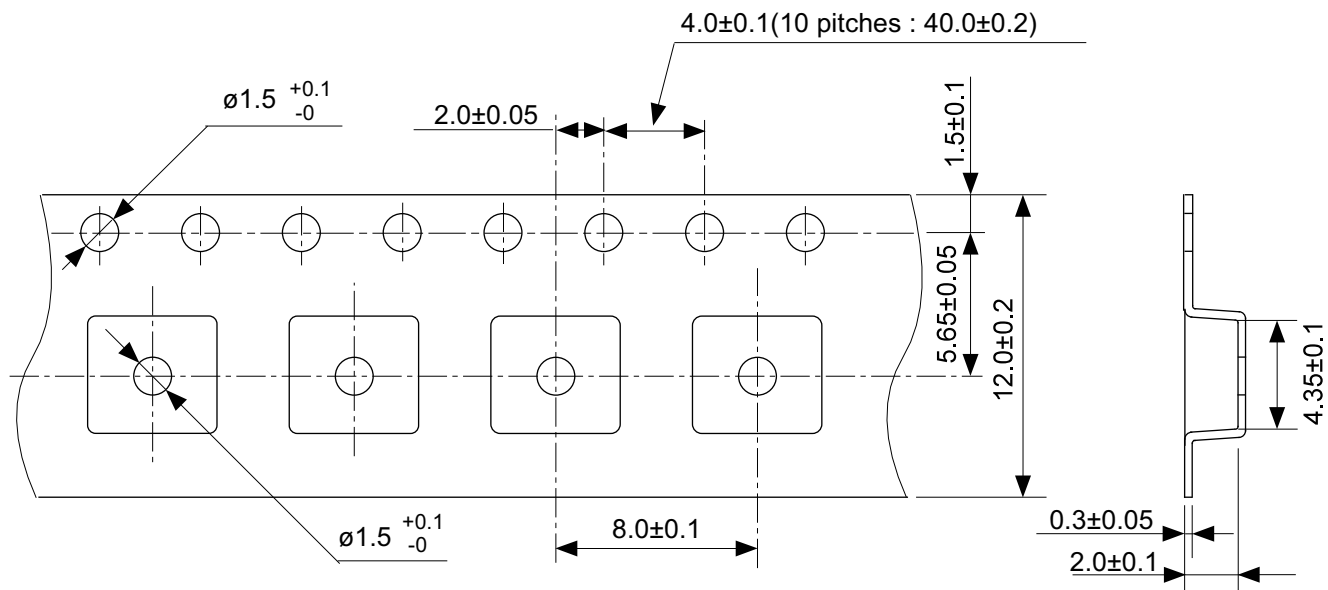
No. FH006-A-L-SD-2.0

TITLE	HSOP6-A -Land Recommendation
No.	FH006-A-L-SD-2.0
ANGLE	
UNIT	mm
ABLIC Inc.	



No. UP005-A-P-SD-2.0

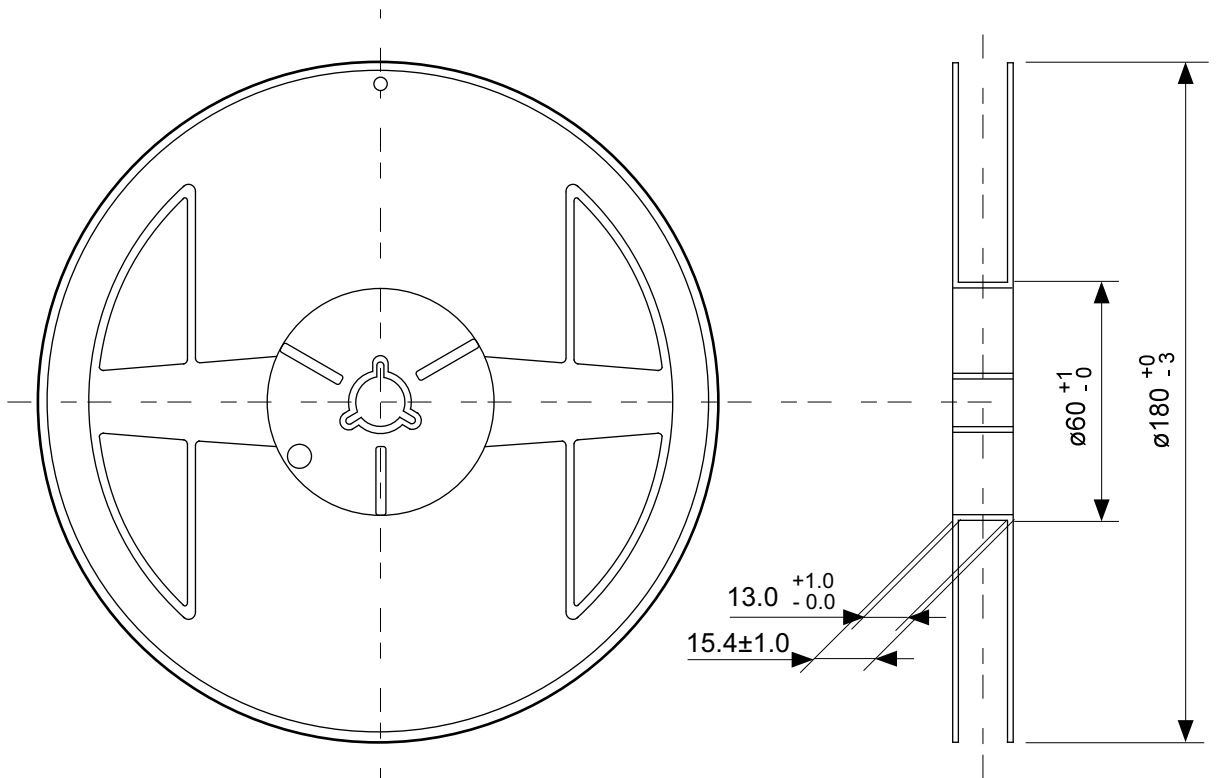
TITLE	SOT895-A-PKG Dimensions
No.	UP005-A-P-SD-2.0
ANGLE	
UNIT	mm
ABLIC Inc.	



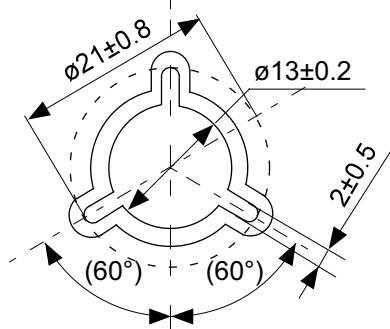
→
Feed direction

No. UP005-A-C-SD-2.0

TITLE	SOT895-A-Carrier Tape
No.	UP005-A-C-SD-2.0
ANGLE	
UNIT	mm
ABLIC Inc.	

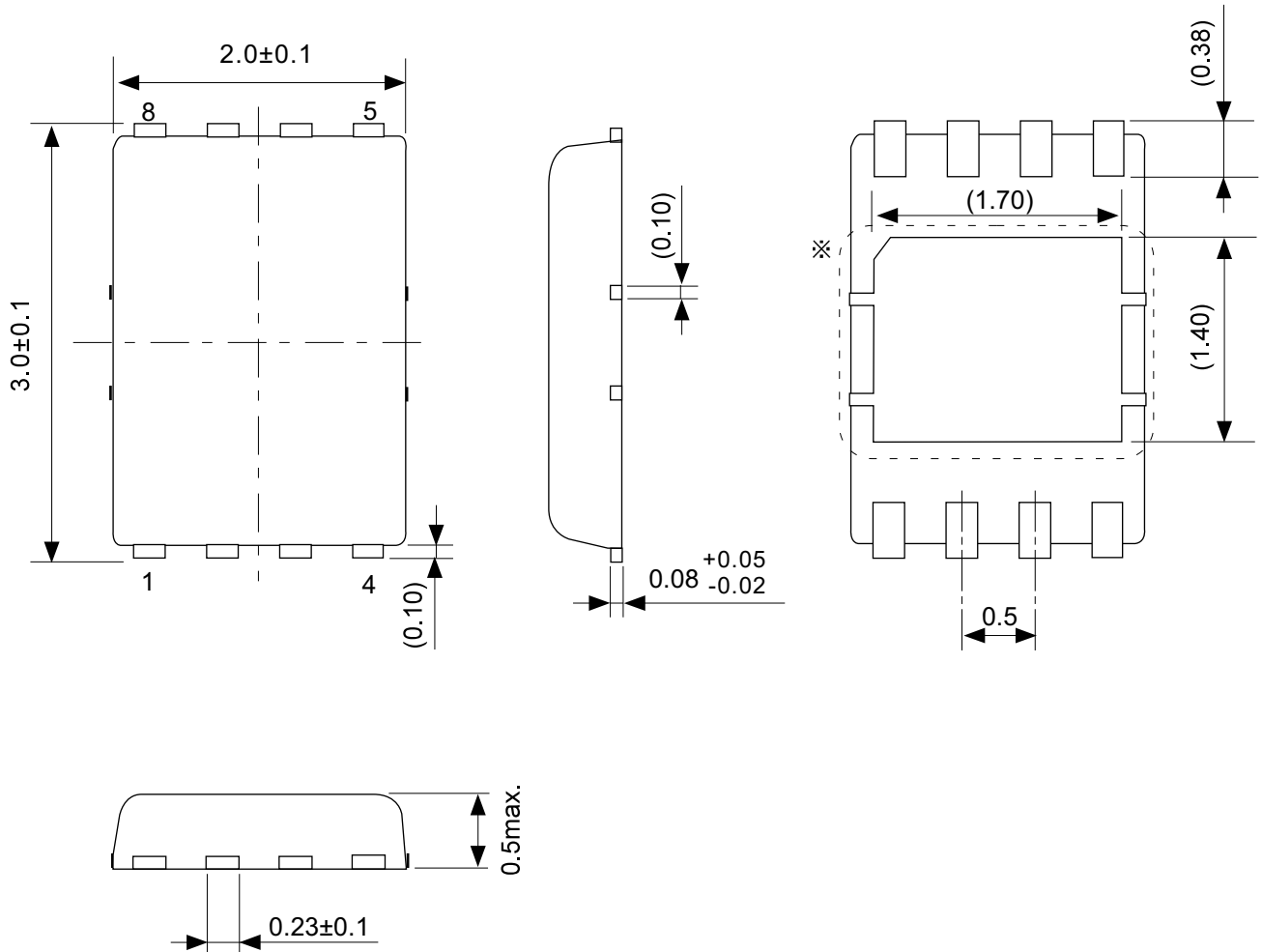


Enlarged drawing in the central part



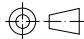
No. UP005-A-R-SD-2.0

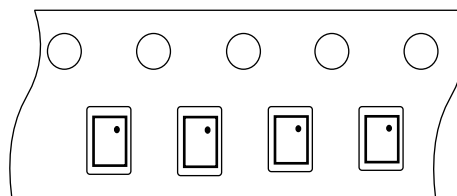
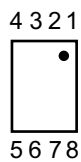
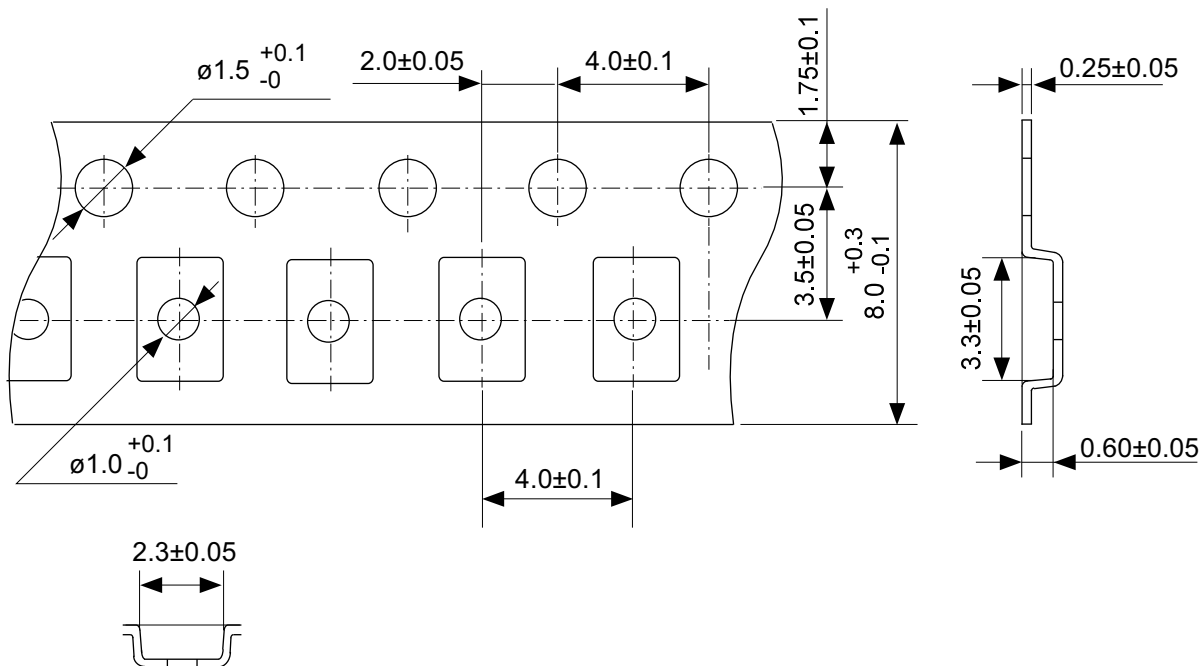
TITLE	SOT895-A-Reel		
No.	UP005-A-R-SD-2.0		
ANGLE		QTY.	1,000
UNIT	mm		
ABLIC Inc.			



\ast The heat sink of back side has different electric potential depending on the product.
 Confirm specifications of each product.
 Do not use it as the function of electrode.

No. PP008-A-P-SD-2.0

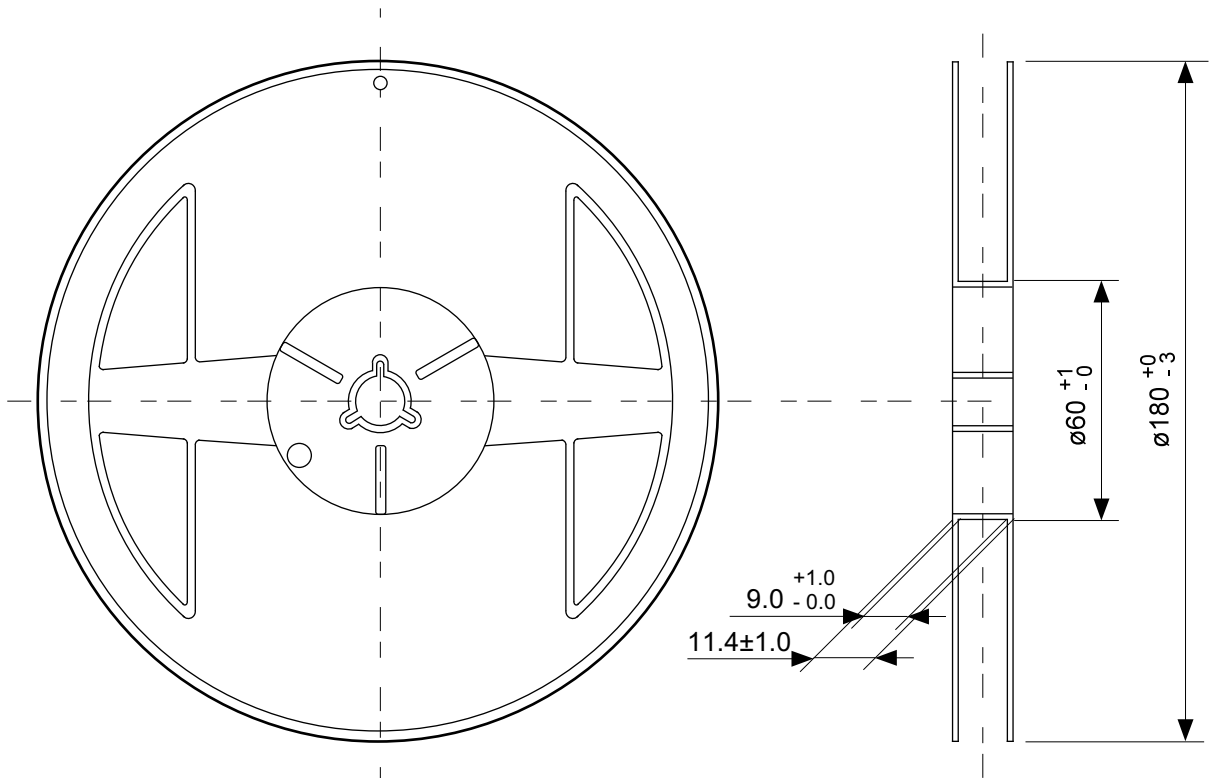
TITLE	HSNT-8-A-PKG Dimensions
No.	PP008-A-P-SD-2.0
ANGLE	
UNIT	mm
ABLIC Inc.	



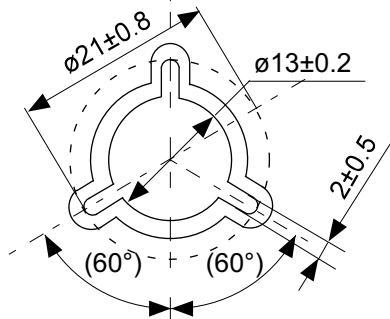
Feed direction

No. PP008-A-C-SD-1.0

TITLE	HSNT-8-A-Carrier Tape
No.	PP008-A-C-SD-1.0
ANGLE	
UNIT	mm
ABLIC Inc.	

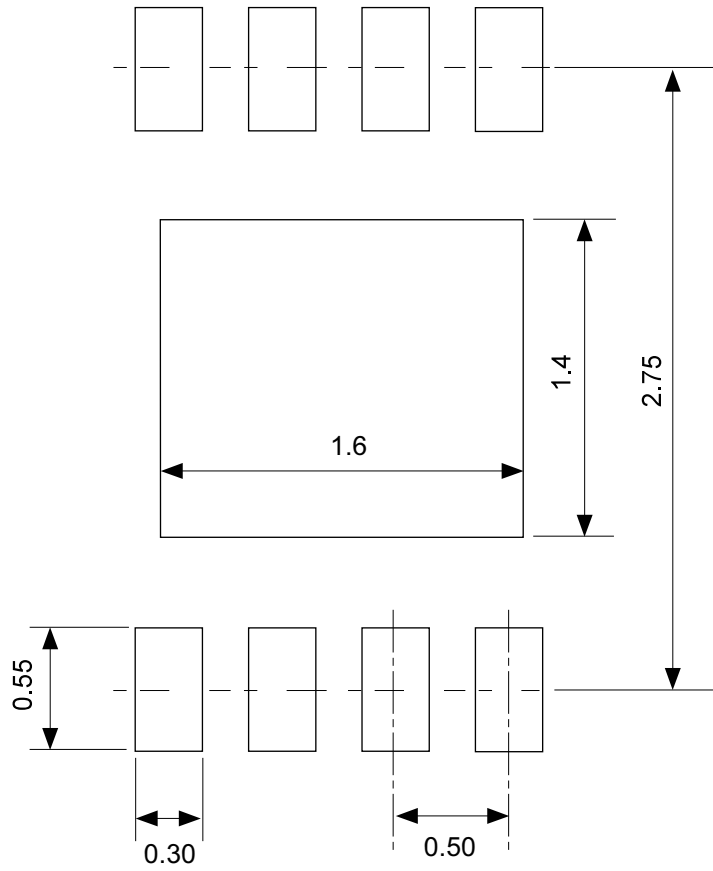


Enlarged drawing in the central part



No. PP008-A-R-SD-2.0

TITLE	HSNT-8-A-Reel		
No.	PP008-A-R-SD-2.0		
ANGLE		QTY.	5,000
UNIT	mm		
ABLIC Inc.			



No. PP008-A-L-SD-1.0

TITLE	HSNT-8-A -Land Recommendation
No.	PP008-A-L-SD-1.0
ANGLE	
UNIT	mm
ABLIC Inc.	

Disclaimers (Handling Precautions)

1. All the information described herein (product data, specifications, figures, tables, programs, algorithms and application circuit examples, etc.) is current as of publishing date of this document and is subject to change without notice.
2. The circuit examples and the usages described herein are for reference only, and do not guarantee the success of any specific mass-production design.
ABLIC Inc. is not liable for any losses, damages, claims or demands caused by the reasons other than the products described herein (hereinafter "the products") or infringement of third-party intellectual property right and any other right due to the use of the information described herein.
3. ABLIC Inc. is not liable for any losses, damages, claims or demands caused by the incorrect information described herein.
4. Be careful to use the products within their ranges described herein. Pay special attention for use to the absolute maximum ratings, operation voltage range and electrical characteristics, etc.
ABLIC Inc. is not liable for any losses, damages, claims or demands caused by failures and / or accidents, etc. due to the use of the products outside their specified ranges.
5. Before using the products, confirm their applications, and the laws and regulations of the region or country where they are used and verify suitability, safety and other factors for the intended use.
6. When exporting the products, comply with the Foreign Exchange and Foreign Trade Act and all other export-related laws, and follow the required procedures.
7. The products are strictly prohibited from using, providing or exporting for the purposes of the development of weapons of mass destruction or military use. ABLIC Inc. is not liable for any losses, damages, claims or demands caused by any provision or export to the person or entity who intends to develop, manufacture, use or store nuclear, biological or chemical weapons or missiles, or use any other military purposes.
8. The products are not designed to be used as part of any device or equipment that may affect the human body, human life, or assets (such as medical equipment, disaster prevention systems, security systems, combustion control systems, infrastructure control systems, vehicle equipment, traffic systems, in-vehicle equipment, aviation equipment, aerospace equipment, and nuclear-related equipment), excluding when specified for in-vehicle use or other uses by ABLIC, Inc. Do not apply the products to the above listed devices and equipments.
ABLIC Inc. is not liable for any losses, damages, claims or demands caused by unauthorized or unspecified use of the products.
9. In general, semiconductor products may fail or malfunction with some probability. The user of the products should therefore take responsibility to give thorough consideration to safety design including redundancy, fire spread prevention measures, and malfunction prevention to prevent accidents causing injury or death, fires and social damage, etc. that may ensue from the products' failure or malfunction.
The entire system in which the products are used must be sufficiently evaluated and judged whether the products are allowed to apply for the system on customer's own responsibility.
10. The products are not designed to be radiation-proof. The necessary radiation measures should be taken in the product design by the customer depending on the intended use.
11. The products do not affect human health under normal use. However, they contain chemical substances and heavy metals and should therefore not be put in the mouth. The fracture surfaces of wafers and chips may be sharp. Be careful when handling these with the bare hands to prevent injuries, etc.
12. When disposing of the products, comply with the laws and ordinances of the country or region where they are used.
13. The information described herein contains copyright information and know-how of ABLIC Inc. The information described herein does not convey any license under any intellectual property rights or any other rights belonging to ABLIC Inc. or a third party. Reproduction or copying of the information from this document or any part of this document described herein for the purpose of disclosing it to a third-party is strictly prohibited without the express permission of ABLIC Inc.
14. For more details on the information described herein or any other questions, please contact ABLIC Inc.'s sales representative.
15. This Disclaimers have been delivered in a text using the Japanese language, which text, despite any translations into the English language and the Chinese language, shall be controlling.

2.4-2019.07