

61350-1 ✓ ACTIVE

FASTON | FASTON 187

TE Internal #: 61350-1

Quick Disconnects, Receptacle, 14 – 12 AWG Wire Size, .51 – 1.31 mm² Wire Size, Mating Tab Width 4.75 mm [.187 in], Flag, Brass, FASTON 187

[View on TE.com >](#)



Terminals & Splices > Quick Disconnects



Quick Disconnect Terminal Type: **Receptacle**

Wire Size: .51 – 1.31 mm²

Mating Tab Width: 4.75 mm [.187 in]

Mating Tab Thickness: .51 mm [.02 in]

Features

Product Type Features

| | |
|-----------------|--------|
| Insertion Force | Normal |
|-----------------|--------|

Configuration Features

| | |
|---------------------|--------|
| Connection Capacity | Single |
|---------------------|--------|

| | |
|-----------------------------------|---------------|
| Compatible With Wire & Cable Type | Discrete Wire |
|-----------------------------------|---------------|

Contact Features

| | |
|--------------------------------|------------|
| Quick Disconnect Terminal Type | Receptacle |
|--------------------------------|------------|

| | |
|------------------|-------------------|
| Mating Tab Width | 4.75 mm [.187 in] |
|------------------|-------------------|

| | |
|----------------------|-----------------|
| Mating Tab Thickness | .51 mm [.02 in] |
|----------------------|-----------------|

| | |
|----------------------|------|
| Terminal Orientation | Flag |
|----------------------|------|

| | |
|-----------------------|-------|
| Contact Base Material | Brass |
|-----------------------|-------|

| | |
|---------------------------|----------|
| Terminal Plating Material | Unplated |
|---------------------------|----------|

| | |
|------------|---------|
| Crimp Type | F-Crimp |
|------------|---------|

| | |
|-------------|------|
| Barrel Type | Open |
|-------------|------|

Termination Features



| | |
|-----------------------|--------------|
| Product Terminates To | Wire & Cable |
|-----------------------|--------------|

Mechanical Attachment

| | |
|-------------------------|------|
| Wire Insulation Support | With |
|-------------------------|------|

| | |
|-----------------------|--------|
| Mating Retention Type | Dimple |
|-----------------------|--------|

Dimensions

| | |
|-----------------------------|-----------------|
| Terminal Material Thickness | .36 mm[.014 in] |
|-----------------------------|-----------------|

| | |
|----------------|---------------|
| Product Length | 14 mm[.55 in] |
|----------------|---------------|

| | |
|--------------------------------------|-----------------------------|
| Compatible Insulation Diameter Range | 2.29 – 3.3 mm[.09 – .13 in] |
|--------------------------------------|-----------------------------|

| | |
|-----------|----------------------------|
| Wire Size | .51 – 1.31 mm ² |
|-----------|----------------------------|

Usage Conditions

| | |
|-------------------|-------------|
| Insulation Option | Uninsulated |
|-------------------|-------------|

| | |
|-----------------------------|----------------------------|
| Operating Temperature Range | -40 – 110 °C[-40 – 230 °F] |
|-----------------------------|----------------------------|

Industry Standards

| | |
|-----------------|---------|
| Agency/Standard | CSA, UL |
|-----------------|---------|

Packaging Features

| | |
|--------------------|------|
| Packaging Quantity | 3000 |
|--------------------|------|

| | |
|------------------|------------|
| Packaging Method | Strip/Reel |
|------------------|------------|

Product Compliance

[For compliance documentation, visit the product page on TE.com>](#)

| | |
|------------------------------|-----------|
| EU RoHS Directive 2011/65/EU | Compliant |
|------------------------------|-----------|

| | |
|-----------------------------|-----------|
| EU ELV Directive 2000/53/EC | Compliant |
|-----------------------------|-----------|

| | |
|---|---|
| China RoHS 2 Directive MIIT Order No 32, 2016 | No Restricted Materials Above Threshold |
|---|---|

| | |
|--|---|
| EU REACH Regulation (EC) No. 1907/2006 | Current ECHA Candidate List: JUNE 2023 (235) Candidate List Declared Against: JUNE 2022 (224) Does not contain REACH SVHC |
|--|---|

| | |
|-----------------|---|
| Halogen Content | Low Halogen - Br, Cl, F, I < 900 ppm per homogenous material. Also BFR/CFR/PVC Free |
|-----------------|---|

| | |
|---------------------------|--|
| Solder Process Capability | Not applicable for solder process capability |
|---------------------------|--|

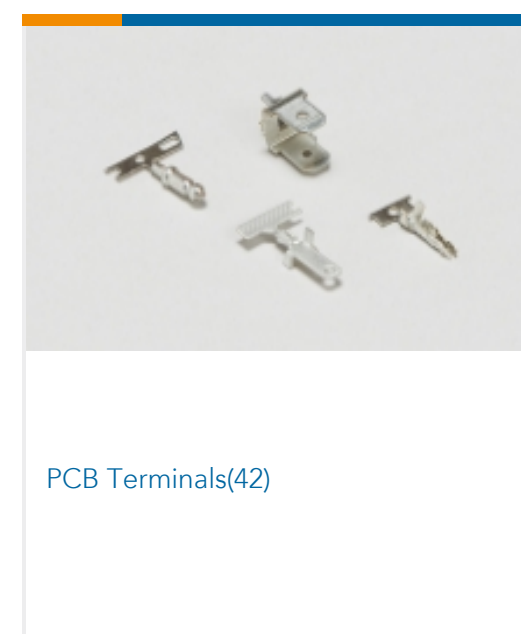
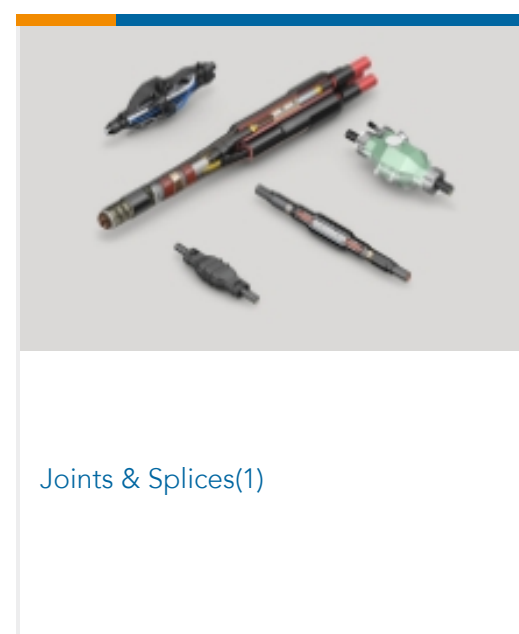
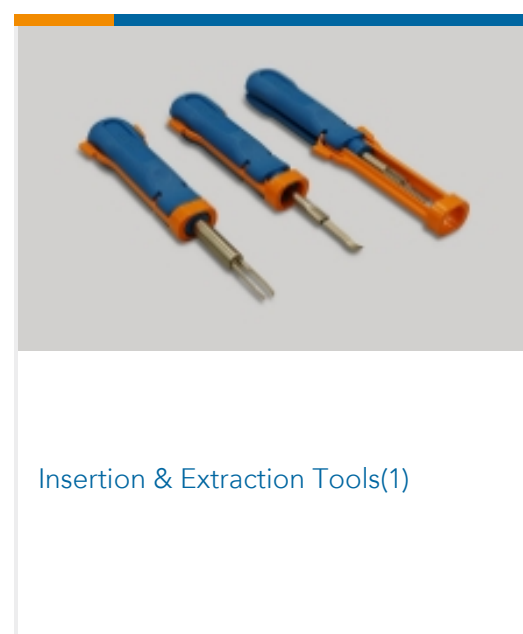
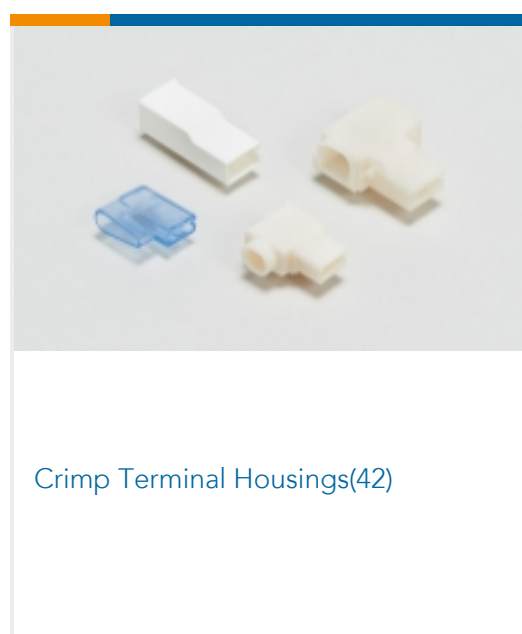
Product Compliance Disclaimer

This information is provided based on reasonable inquiry of our suppliers and represents our current actual knowledge based on the information they provided. This information is subject to change. The part numbers that TE has identified as EU RoHS compliant have a maximum concentration of 0.1% by weight in homogenous materials for lead, hexavalent chromium, mercury, PBB, PBDE, DBP, BBP, DEHP, DIBP, and 0.01% for cadmium, or qualify for an exemption to these limits as defined in the Annexes of Directive 2011/65/EU (RoHS2). Finished electrical and electronic equipment products will be CE marked as required by Directive 2011/65/EU. Components may not be CE marked. Additionally, the part numbers that TE has identified as EU ELV compliant have a maximum concentration of 0.1% by weight in homogenous materials for lead, hexavalent chromium, and mercury, and 0.01% for cadmium, or qualify for an exemption to these limits as defined in the Annexes of Directive 2000/53/EC (ELV). Regarding the REACH Regulation, the information TE provides on SVHC in articles for this part number is based on the latest European Chemicals Agency (ECHA) 'Guidance on requirements for substances in articles' posted at this URL: <https://echa.europa.eu/guidance-documents/guidance-on-reach>

Compatible Parts



Also in the Series | FASTON 187





Quick Disconnects(209)



Splices(1)

Customers Also Bought



TE Part #DT06-12SA-CE12
PLG, 12P, BLK, E,SEAL RET,ENH KEY,
XCAP,A



TE Part #521597-2
ULTRA-POD 187 ASY REC 18-14 TPBR



TE Part #1393030-8
SSR-240D25R=PANL MNT,25A,
240VAC,R-DC i/p



TE Part #1415526-1
PT78722



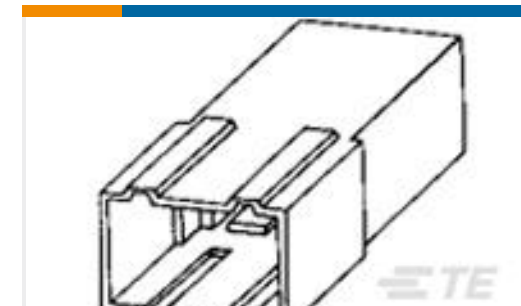
TE Part #2232343-1
250 PL EX FLAG REC. 18-12AWG PTBR



TE Part #927835-1
TIMER, RECEPTACLE AND TAB



TE Part #280771
FF 250 & 375 REC HSG 2P NYLON
NAT



TE Part #280072
FF 375 TAB HSG 4P NYLON NAT



TE Part #1217092-1
PL 250 TERMINAL RECEPTACLE 16-12
AWG BR

Documents

Product Drawings

[187 FASTON REC 20-16 AWG BR](#)

English

CAD Files

[Customer View Model](#)

[ENG_CVM_CVM_61350-1_AA.2d_dxf.zip](#)

English

[3D PDF](#)



3D

Customer View Model

[ENG_CVM_CVM_61350-1_AA.3d_igs.zip](#)

English

Customer View Model

[ENG_CVM_CVM_61350-1_AA.3d_stp.zip](#)

English

By downloading the CAD file I accept and agree to the [Terms and Conditions](#) of use.

Product Specifications

[Application Specification](#)

English