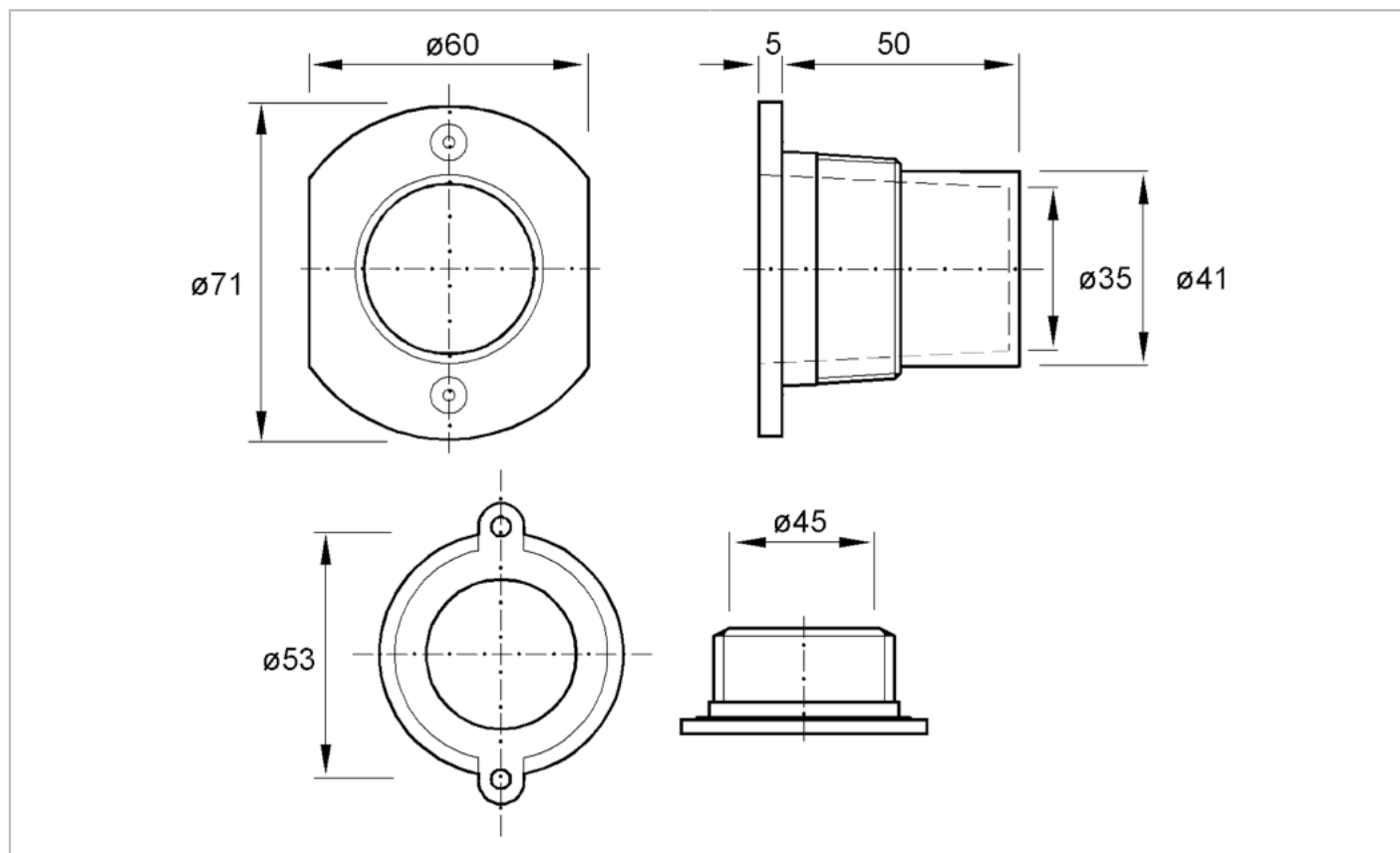


U10082



Mounting adapter for capacitive sensors

WELL, 30MM, 1-1/2" NPT



Application	
Design	for types M30
Pressure rating [bar]	6.9
Operating conditions	
Ambient temperature [°C]	-25...70
Mechanical data	
Weight [g]	22.68
Material	HDPE
Process connection	1 1/2" NPT
Remarks	
Pack quantity	1 pcs.