



Main

Range of Product	Harmony ST6
Product or Component Type	Touch panel screen
Software Designation	EcoStruxure Operator Terminal Expert
Processor name	ARM Cortex-A8

Complementary

Display size	4 inch
Display Type	Colour TFT LCD
Display colour	16 million colours
Display Resolution	480 x 272 pixels
Touch panel	Single touch analogue resistive
Backlight lifespan	20000 hours white
Brightness	16 levels
Character font	ASCII ASCII (European characters) Chinese (simplified Chinese) Japanese (ANK, Kanji) Katakana Korean Taiwanese (traditional Chinese)
[Us] rated supply voltage	24 V DC +/- 20 %)
Inrush current	30 A
Local signalling	Status LED green, steady offline Status LED green, steady operating Status LED green, flashing operating Status LED green, faded stand-by Status LED orange, flashing software starting up Status LED red, steady power supply (ON) Status LED red, flashing operating Status LED red, off power supply (OFF)
Power consumption in W	7.8 W
Number of pages	200 application pages
Processor frequency	800 MHz
Port Ethernet	10/100BASE
Memory description	Device memory 1 GB User data memory 128 MB Backup memory 512 kB
Integrated connection type	1 COM1 serial link - female RJ45 - RS232C/RS485 2400...115200 bps)bottom 1 USB 2.0 type Aback 1 USB 2.0 type micro Bback 2 Ethernet - female RJ45bottom
Supply	External supply
Realtime clock	Built-in 0...50 °C Built-in 10...90 % RH

Downloadable protocols	Modbus Uni-TE Third party protocols
Product brand	Schneider Electric Modicon Mitsubishi Melsec Omron Sysmac Rockwell Automation Allen-Bradley Siemens Simatic
Fixing mode	Ø 22 mm hole 1.5 to 6 mm thick panel UL 61010-2-201 Ø 22 mm hole EN 61131-2 Ø 22 mm hole IEC 61000-6-2
Enclosure Material	PC
Front material	Plastic
Marking	CE
Cut-out dimensions	Ø 22.5 mm
Height	4.26 in (108.2 mm)
Width	5.73 in (145.6 mm)
Depth	2.12 in (53.9 mm)
Net Weight	1.08 lb(US) (0.49 kg)

Environment

Immunity to microbreaks	2 ms
Standards	EN 61000-6-4 EN 61000-6-2 EN 61131-2 UL 61010-2-201 CSA C22.2 No 61010-2-201 CSA C22.2 No 213
Product Certifications	CSA CE EAC (pending) KC UL Class 1 Division 2
Directives	2014/35/EU - low voltage directive 2014/30/EU - electromagnetic compatibility
Ambient air temperature for operation	32...122 °F (0...50 °C)
Ambient Air Temperature for Storage	-4...140 °F (-20...60 °C)
Relative humidity	10...90 % non-condensing
Operating altitude	6561.68 ft (2000 m)
IP degree of protection	IP20 IEC 61131-2 rear panel) IP65 IEC 61131-2 front panel)
NEMA degree of protection	NEMA 4 front panel (indoor use) NEMA 13 front panel (in enclosure)
Shock resistance	147 m/s ² 11 ms X, Y, Z directions for 10 cycles (approx. 100 min))EN/IEC 61131-2
Vibration resistance	+/- 3.5 mm 5...9 Hz) X, Y, Z directions for 10 cycles (approx. 100 min) EN/IEC 61131-2 9.8 m/s ² 9...150 Hz)
Electromagnetic compatibility	Electrical fast transient/burst immunity test 2 kV power ports) IEC 61000-4-4 Electrical fast transient/burst immunity test 1 kV signal ports) Electrostatic discharge immunity test 6 kV contact discharge) EN/IEC 61000-4-2 level 3 Electrostatic discharge immunity test 8 kV air discharge)

Ordering and shipping details

Category	22565 - HARMONY BASIC HMI
Discount Schedule	MC2
GTIN	3606481856395
Nbr. of units in pkg.	1
Package weight(Lbs)	22.65 oz (642 g)
Returnability	Yes
Country of origin	ID

Packing Units

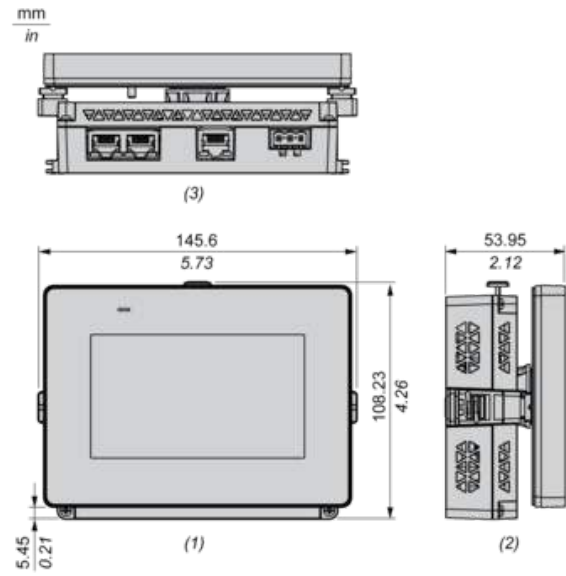
Unit Type of Package 1	PCE
Package 1 Height	3.35 in (8.5 cm)
Package 1 width	5.31 in (13.5 cm)
Package 1 Length	8.46 in (21.5 cm)
Unit Type of Package 2	S03
Number of Units in Package 2	9
Package 2 Weight	14.59 lb(US) (6.616 kg)
Package 2 Height	11.81 in (30 cm)
Package 2 width	11.81 in (30 cm)
Package 2 Length	15.75 in (40 cm)
Unit Type of Package 3	P06
Number of Units in Package 3	72
Package 3 Weight	132.23 lb(US) (59.98 kg)
Package 3 Height	31.50 in (80 cm)
Package 3 width	23.62 in (60 cm)
Package 3 Length	31.50 in (80 cm)

Offer Sustainability

Sustainable offer status	Green Premium product
California proposition 65	WARNING: This product can expose you to chemicals including: Lead and lead compounds, which is known to the State of California to cause cancer and birth defects or other reproductive harm. For more information go to www.P65Warnings.ca.gov
REACH Regulation	REACH Declaration
EU RoHS Directive	Pro-active compliance (Product out of EU RoHS legal scope) EU RoHS Declaration
Mercury free	Yes
RoHS exemption information	Yes
China RoHS Regulation	China RoHS Declaration
Environmental Disclosure	Product Environmental Profile
Circularity Profile	End Of Life Information
WEEE	The product must be disposed on European Union markets following specific waste collection and never end up in rubbish bins.

Dimensions

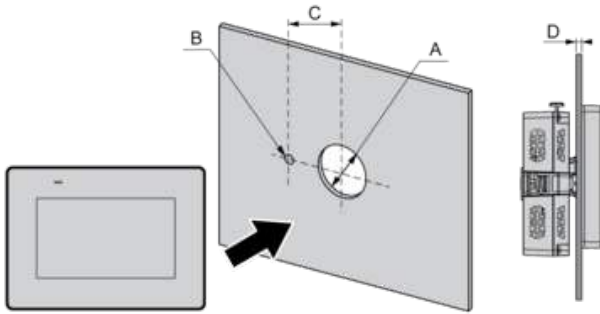
Dimensions with rear module attached to display module



- (1) : Front
- (2) : Left
- (3) : Bottom

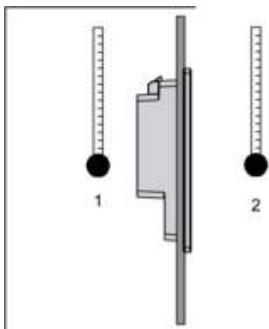
Mounting and Clearance

Panel Cut Dimensions

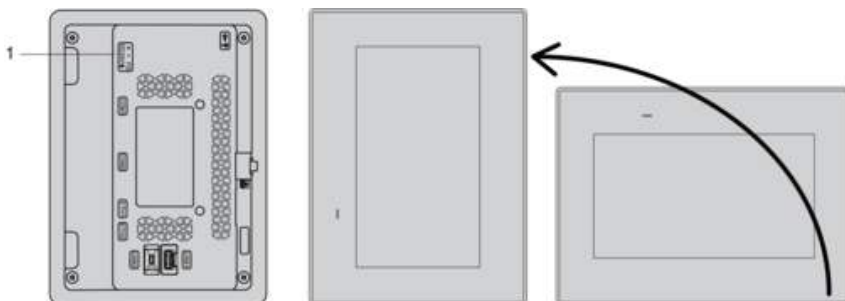


A		B		C		D (Thickness range)	
mm	in.	mm	in.	mm	in.	mm	in.
22.5 (+0/-0.3)	0.88 (+0/-0.01)	4.0 (+0/-0.2)	0.15 (+0/-0.007)	30.0 (+0/-0.2)	1.18 (+0/-0.007)	1.5...6.0 (0.06...0.23)	3.0...6.0 (0.12...0.23)

Installation Requirements

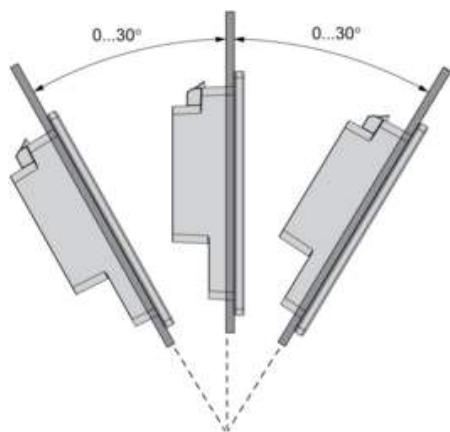


- 1 : Internal temperature
- 2 : External temperature



- 1 : Power connector

Mounting Angle



Clearance

