

LightOWL® PIR AND ULTRASONIC WALL MOUNT SENSOR

CEILING AND WALL MOUNT OCCUPANCY SENSORS

FEATURES

- IntelliDAPT® self-adaptive technology—no manual adjustment required
- All-digital dual technology passive infrared (PIR) and ultrasonic (US) sensor
- Non-volatile memory for sensor settings
- 1,600 square-foot coverage area
- Optional relay and photocell control
- Low voltage device: 24VDC
- 5 year warranty



RELATED PRODUCTS

- [Occupancy Sensor Accessories](#)
- [Universal Voltage Power Packs](#)
- [Heavy Duty Universal Voltage Power Packs](#)
- [MPSHD Pack](#)
- [MP347A Power Pack](#)

SPECIFICATIONS

CONSTRUCTION

- Casing - Rugged, high-impact, injection-molded plastic KJB ABS Cicolac (UL-945VA)
- Color-coded leads are 6" long (152.4mm)
- 5.0 oz. (142g)
- Off-white
- Red-Infrared motion
- Green-Ultrasonic detection
- Dual-element pyrometer and 12-element cylindrical rugged lens

MOUNTING

- Mounting base provided
- Recommended MAX mounting height: 12ft. (3.66m)

ELECTRICAL

- Operating frequency: 32kHz
- 24VDC, 33 mA (uses UVPP and MP-Series power pack—not included)
- 24VDC active high-logic control signal with short circuit protection and optional dry contact

OPERATIONS

- IntelliDAPT
 - Auto reset from test setting
 - Self-adjusting timer
 - Self-adjusting passive infrared and acoustic thresholds
 - Automatic false-ON/false-OFF corrections
- Coverage
 - 1,600 square feet (365.76 square meters)
- Timer Settings
 - Automatic mode: 8–30 minutes (self-adjusts based on occupancy)
 - Test mode: 8 seconds (for an easy check at installation)
- RP Option
 - Relay and photocell included
 - Relay: N/O + N/C contacts; SPDT; 500 mA rated @ 24VDC; three-wire isolated relay

- RP Option (Continued)
 - Photocell: adjustable natural-light override ranges from 0 to 100 foot-candles (0–1,000 lux)
 - Factory set at 3,000 lux (disable photocell)

OPERATING ENVIRONMENT

- Indoor use only
- Operating temperature: 32° to 104°F (0° to 40°C)
- Relative humidity (non-condensing): 0% to 95%

CERTIFICATIONS

- Listed UL and cUL
- This product qualifies as “designated country construction material” per FAR 52.225-11 Buy American-Construction Materials under Trade Agreements effective 5/27/2020. See [Buy American Solutions](#).

WARRANTY

- 5 year warranty
- See [HCS Standard Warranty](#) for additional information

ORDERING GUIDE

Example: LODTRP-T

CATALOG #

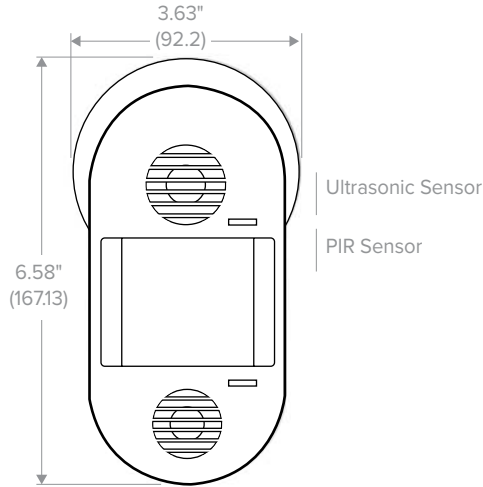
LO	DT		
Series	Technology	Relay/Photocell Option	TAA
LO	DT	RP Relay Photocell	Blank Standard Product
		Blank No Relay Photocell	T TAA

*Buy American Solutions
TAA
FAR §52.225-11
LODTRP

LightOWL® PIR AND ULTRASONIC WALL MOUNT SENSOR

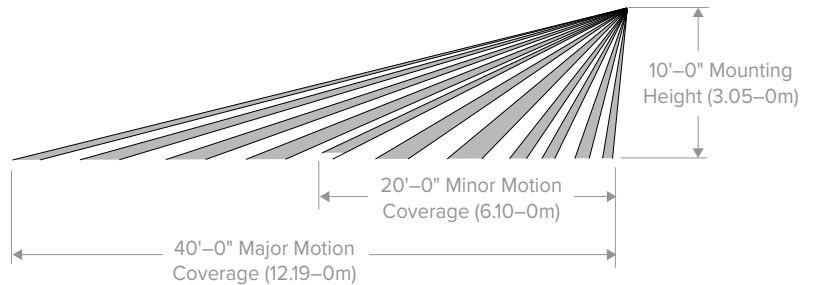
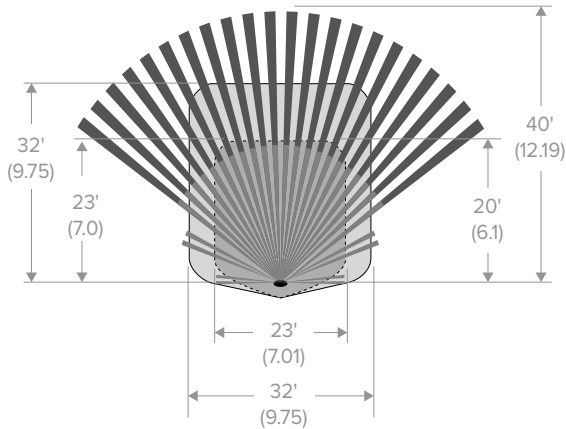
CEILING AND WALL MOUNT OCCUPANCY SENSORS

DIMENSIONS



ADDITIONAL INFORMATION

Coverage Patterns



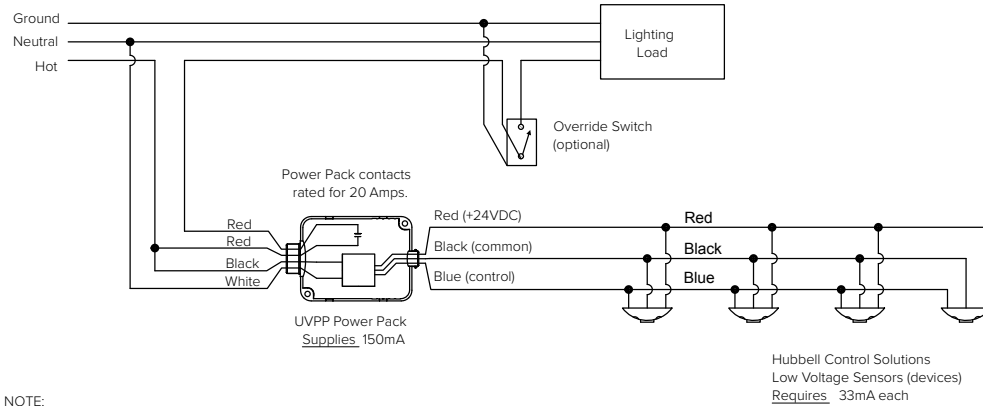
- US Minor Motion
- IR Minor Motion
- US Major Motion
- IR Major Motion

LightOWL® PIR AND ULTRASONIC WALL MOUNT SENSOR

CEILING AND WALL MOUNT OCCUPANCY SENSORS

ADDITIONAL INFORMATION

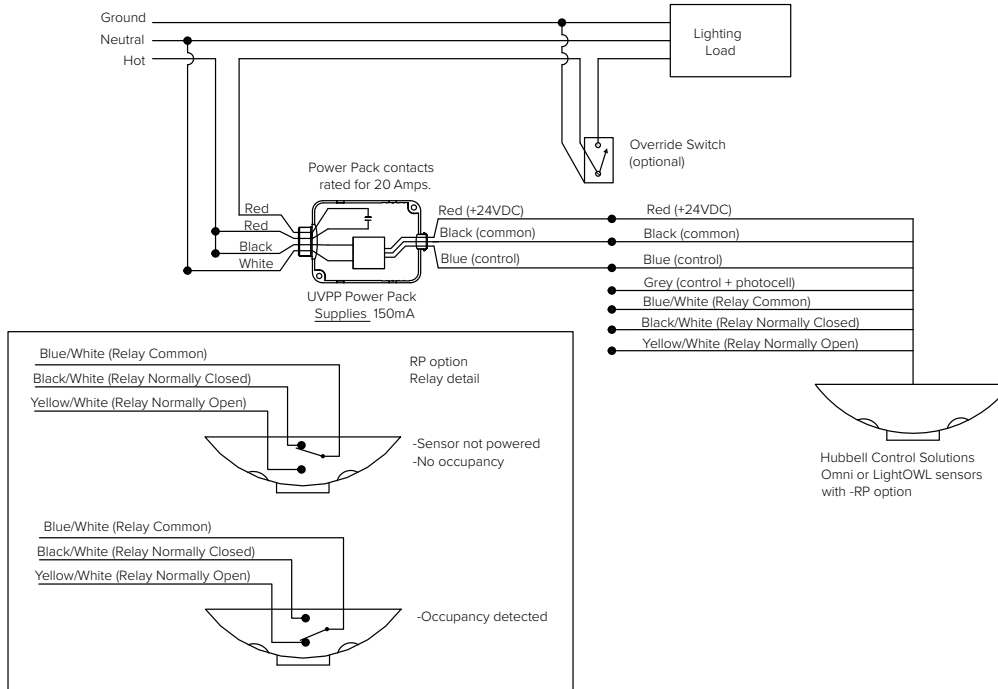
Wiring Diagrams



NOTE:

- DO NOT attempt to power more than 4 devices, be it sensors or slave packs, from a single power pack.

1 Circuit with up to 4 Sensors and UVPP



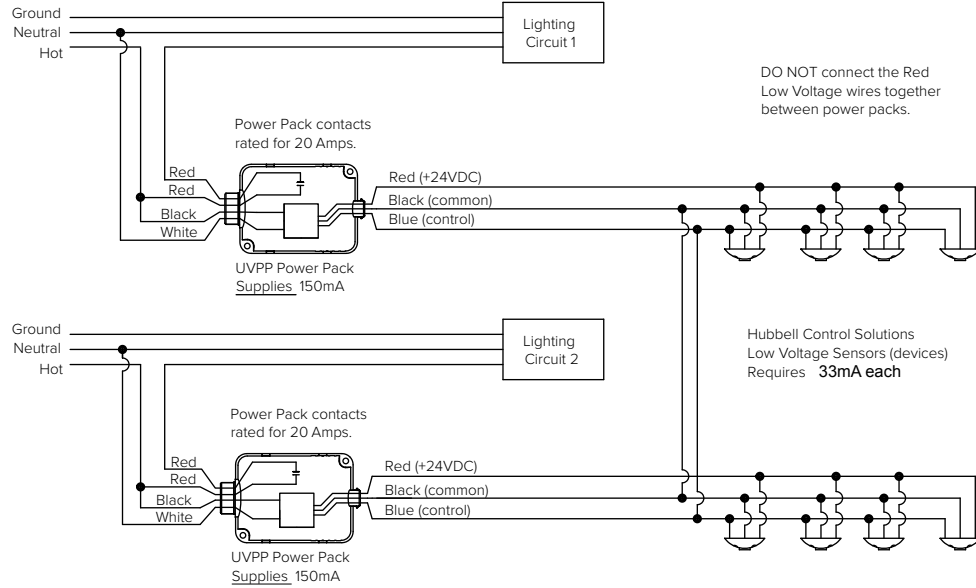
1 Circuit with up to 4 Sensors and UVPP

LightOWL® PIR AND ULTRASONIC WALL MOUNT SENSOR

CEILING AND WALL MOUNT OCCUPANCY SENSORS

ADDITIONAL INFORMATION

Wiring Diagrams



NOTES:

1. Lighting load turns on when at least one sensor detects motion
2. DO NOT attempt to power more than 4 devices, be it sensors or slave packs, from a single power pack
3. No more than 4 power packs should be connected in this way

1 Circuit with RP Option Wiring