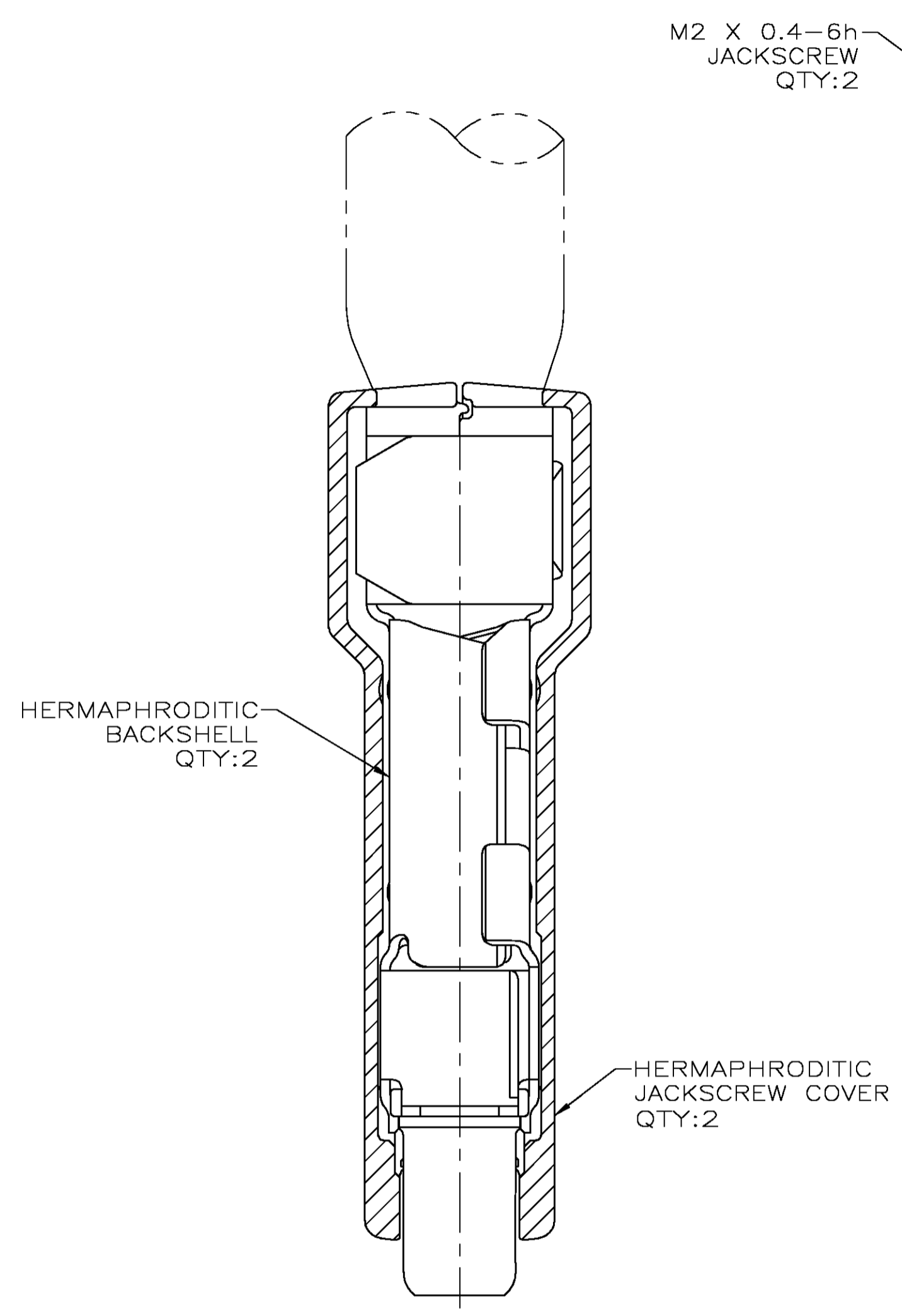
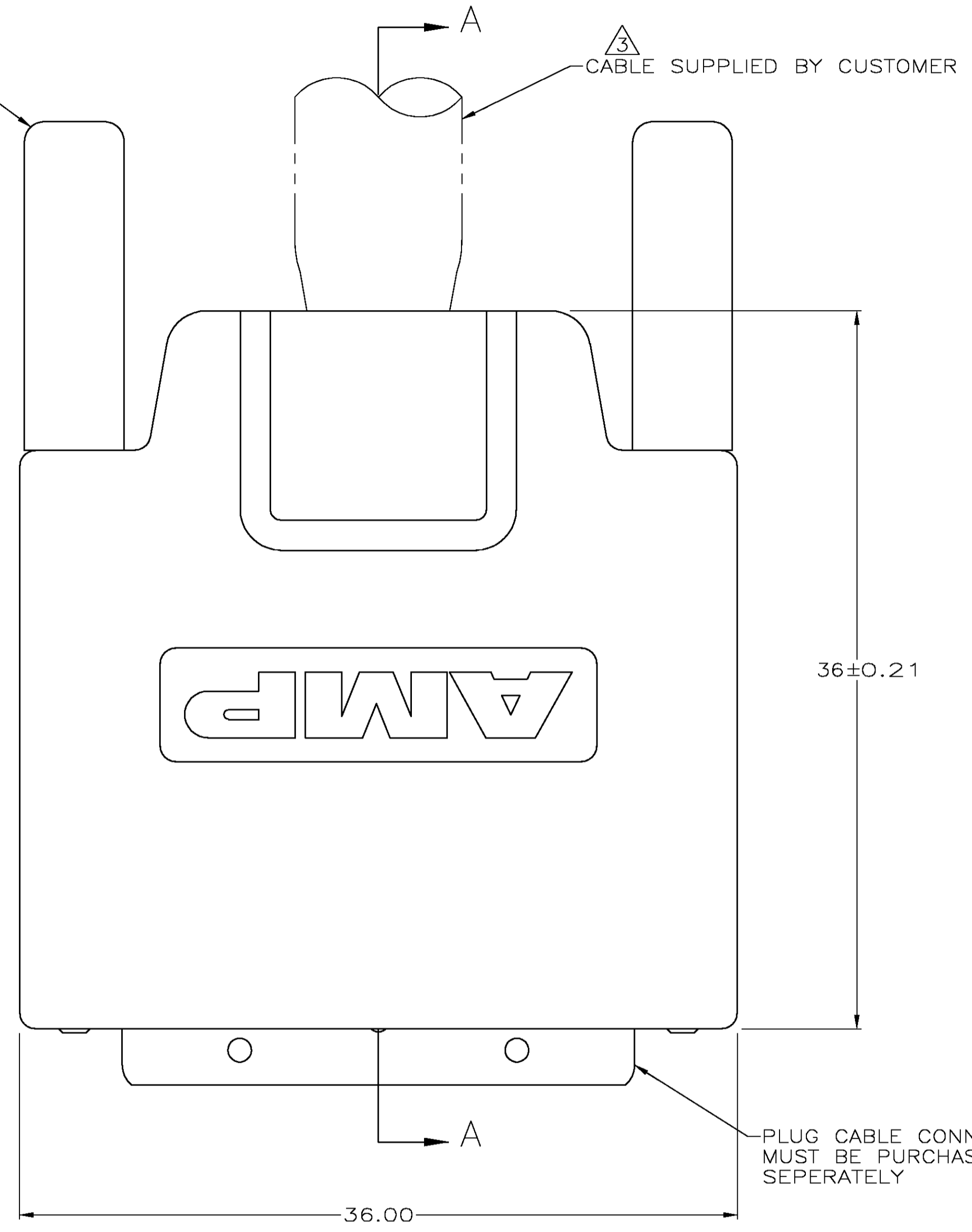


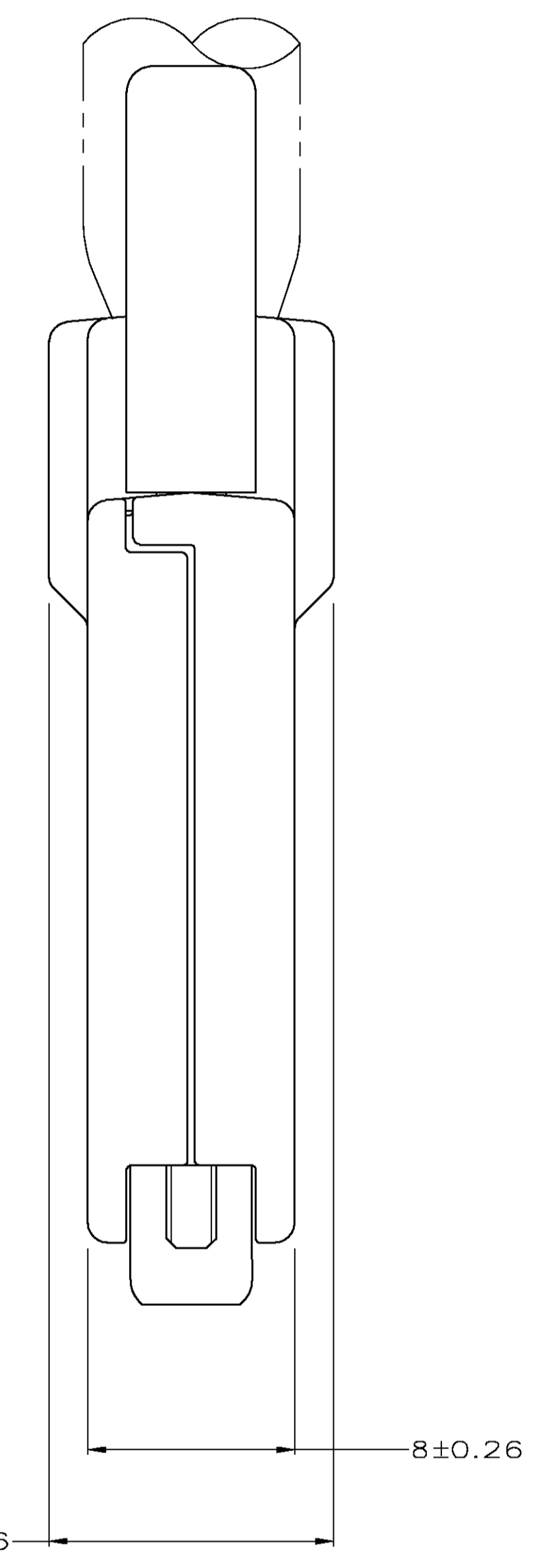
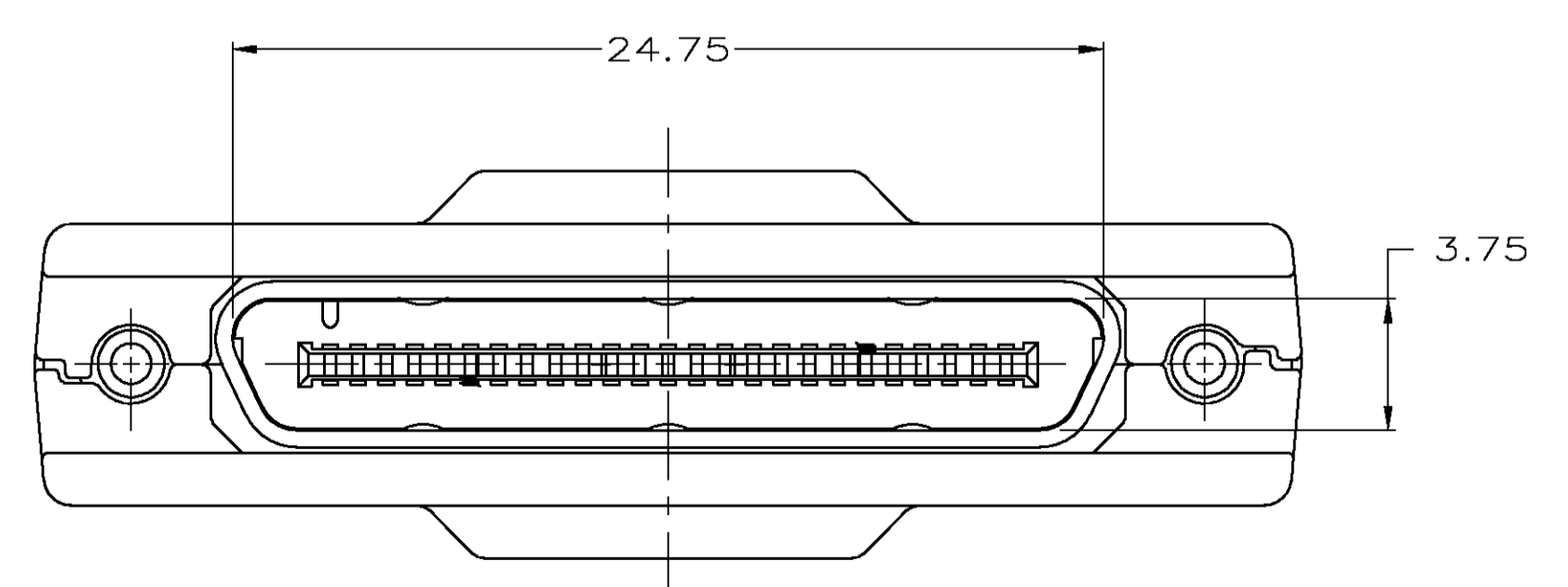
LOC		DIST		REVISIONS			
P	LTR	DESCRIPTION	DATE	DWN	APPD		
C		REDRAWN PER EC OS13-0148-04		OBMAROS	TS	JG	



SECTION A-A



PLUG CABLE CONNECTOR MUST BE PURCHASED SEPERATELY



- ⚠ MATERIAL:
 HERMAPHRODITIC BACKSHELL- STEEL.
 JACKSCREW - STEEL.
 JACKSCREW HEAD - ABS MOLDING COMPOUND, COLOR-BLACK.
 HERMAPHRODITIC JACKSCREW COVER- UL 94V-0 RATED
 ABS MOLDING COMPOUND, COLOR-BLACK.
- ⚠ PLATING:
 HERMAPHRODITIC BACKSHELL- 5µm MIN BRIGHT NICKEL OVER
 2.5µm MIN COPPER.
 JACKSCREW - BLUE CHROMATE OVER ZINC.
- ⚠ RECOMMENDED WIRE: 30 AWG WITH A 0.56-0.64 INSULATION DIAMETER,
 WIRE MUST BE APPROVED BY AMP ENGINEERING.

OBSELETE	INDIVIDUAL KIT	787233-2
	BULK, 100 KITS	787233-1
	PACKAGING	PART NO

THIS DRAWING IS A CONTROLLED DOCUMENT.

DIMENSIONS:	TOLERANCES UNLESS OTHERWISE SPECIFIED:	DRN T. SHUEY	OBMAROS	tyco Electronics	Tyco Electronics Corporation Harrisburg, Pa 17105-3608
mm	0 PL ± - 1 PL ± - 2 PL ± 0.13 3 PL ± - 4 PL ± - ANGLES ± -	CHK J. GERACE	OBMAROS	NAME M. WALMSLEY	PRODUCT SPEC 108-1471
MATERIAL	FINISH	SIZE	CAGE CODE	DRAWING NO	RESTRICTED TO
⚠	⚠	—	A1	00779	—
CUSTOMER DRAWING			SCALE	5:1	SHEET 1 OF 1

AMP 4805 REV 31MAR2000