

- NOTES:
- MATERIALS: HOUSING - LIQUID CRYSTAL POLYMER (LCP) GLASS-FILLED, UL94V-0  
TERMINALS - HIGH PERFORMANCE COPPER ALLOY
  - FINISH: 30μ INCH MIN GOLD IN CONTACT AREA, SELECTIVE MATTE TIN ON PCB TAILS, NICKEL OVERALL.
  - REFER TO MOLEX PCB ROUTING GUIDE AS-76060-990 FOR ANTIPAD AND ROUTING RECOMMENDATIONS.
  - CONNECTORS SUPPLIED WITH A 2-56 UNC-2A SCREW.
  - "THESE DIMENSIONS REPRESENT THE AREA NEEDED TO ACCOMMODATE CONNECTOR INSERTION AND REPAIR ON THE PC BOARD. THIS IS REFERRED TO AS THE "CONNECTOR KEEP OUT ZONE" AND DOES NOT REPRESENT THE ACTUAL PERIMETER OF THE CONNECTOR. WHEN LAYING OUT A PC BOARD FOR CONNECTORS STACK TOGETHER, USE A 1.9mm PROGRESSION."
  - SEE SHEETS 2 & 3 FOR PART NUMBERS AND BOARD RELATIONSHIPS.
  - FOR GROUNDED GUIDE PINS USE Ø 3.56 ±0.08 (PTH), Ø3.66 (DRILL) & Ø6.5 (PAD).
  - MINIMUM CIRCUIT BOARD THICKNESS: 1.0mm.
  - REFER TO MOLEX PRODUCT SPECIFICATION PS-170540-999 FOR PERFORMANCE SPECIFICATIONS AND ADDITIONAL PCB INFORMATION.
  - THIS PART CONFORMS TO CLASS B REQUIREMENTS OF MOLEX COSMETIC SPEC PS-45499-002.
  - PARTS PACKAGED PER PK-70873-759.

THIS DRAWING CONTAINS INFORMATION THAT IS PROPRIETARY TO MOLEX ELECTRONIC TECHNOLOGIES, LLC AND SHOULD NOT BE USED WITHOUT WRITTEN PERMISSION											
MIGRATED TO NX EC NO: 168852 DRWN: NVELUSAMY CHKD: CD REV / APPR: GGA	GENERAL TOLERANCES (UNLESS SPECIFIED)		DIMENSION UNITS	SCALE							
			MM	4:1							
	ANGULAR TOL ± 2.0 °		DRWN BY	DATE	IMPACT 5-PAIR 85-OHM LEFT GUIDED BACKPLANE SALES ASSEMBLY DRAWING						
	4 PLACES ±		JBINGHAM	2010/05/19							
	3 PLACES ±		CHKD BY	DATE	PRODUCT CUSTOMER DRAWING						
	2 PLACES ± 0.13		JLAURX	2010/05/19							
	1 PLACE ± 0.25		APPR BY	DATE	SERIES MATERIAL NUMBER CUSTOMER 170475 SEE TABLE GENERAL MARKET						
	0 PLACES ±		JLAURX	2013/05/21							
	DRAFT WHERE APPLICABLE MUST REMAIN WITHIN DIMENSIONS		DRAWING SIZE	THIRD ANGLE PROJECTION	DOCUMENT NUMBER		DOC TYPE	DOC PART	SHEET NUMBER		
			C		SD-170475-0002		PSD	001	1 OF 3		

# PART NUMBER LOGIC

170475-\*\*\*\*

MODULE TYPE  
 3 = GUIDE LEFT, MATTE TIN  
 7 = GUIDE LEFT END WALL, MATTE TIN

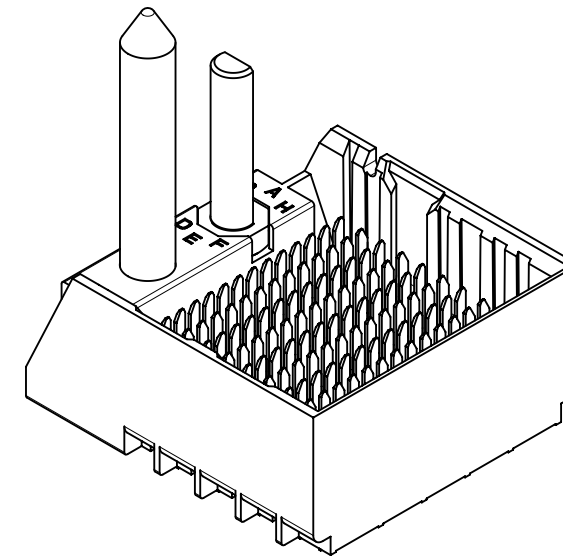
# OF COLUMNS  
 1 = 10 COL  
 2 = 12 COL  
 6 = 16 COL  
 8 = 8 COL

P=PIN LENGTH  
 3 = 4.50 (SHORT COMPLIANT, 0.46±0.05 PTH)  
 4 = 4.90 (SHORT COMPLIANT, 0.46±0.05 PTH)  
 5 = 5.50 (SHORT COMPLIANT, 0.46±0.05 PTH)  
 6 = 4.50 (MICRO COMPLIANT, 0.39±0.05 PTH)  
 7 = 4.90 (MICRO COMPLIANT, 0.39±0.05 PTH)  
 8 = 5.50 (MICRO COMPLIANT, 0.39±0.05 PTH)

KEY ORIENTATION  
 0 = NO KEY  
 1 = A  
 2 = B  
 3 = C  
 4 = D  
 5 = E  
 6 = F  
 7 = G  
 8 = H

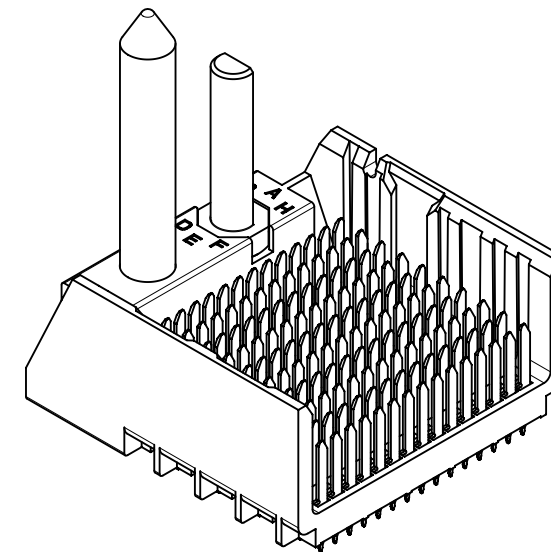
## PART NUMBER CHART

MATERIAL NUMBER	# OF COLUMNS	# OF DIFF PAIR	DIM. A	DIM. B	GUIDE LEFT END WALL OPTION
170475-78**	8	40	23.1	13.30	
170475-71**	10	50	26.9	17.10	
170475-72**	12	60	30.7	20.90	
170475-76**	16	80	38.3	28.50	



GUIDE LEFT  
END WALL  
OPTION

MATERIAL NUMBER	# OF COLUMNS	# OF DIFF PAIR	DIM. A	DIM. B	GUIDE LEFT OPEN WALL OPTION
170475-38**	8	40	21.7	13.30	
170475-31**	10	50	25.5	17.10	
170475-32**	12	60	29.3	20.90	
170475-36**	16	80	36.9	28.50	

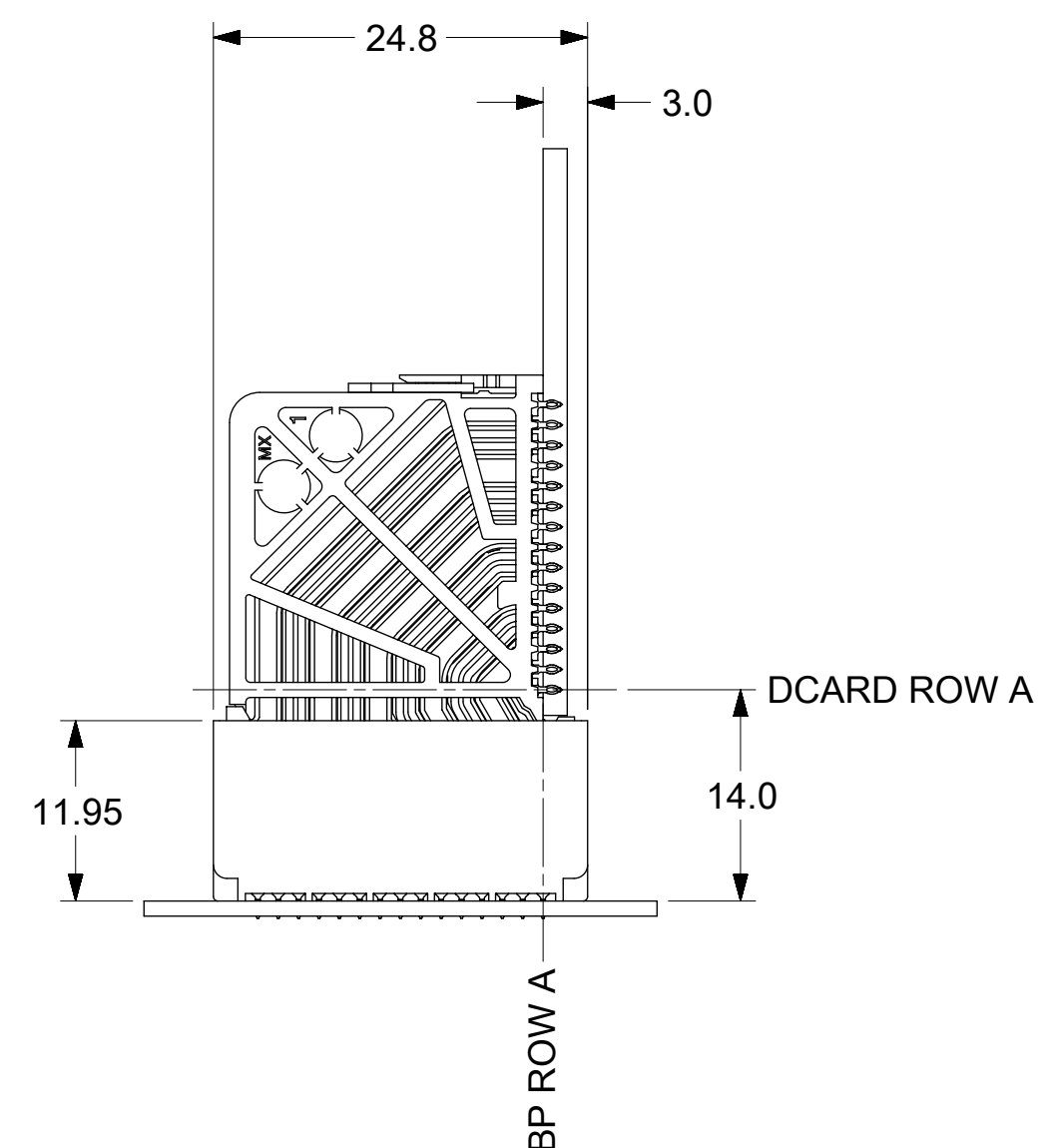
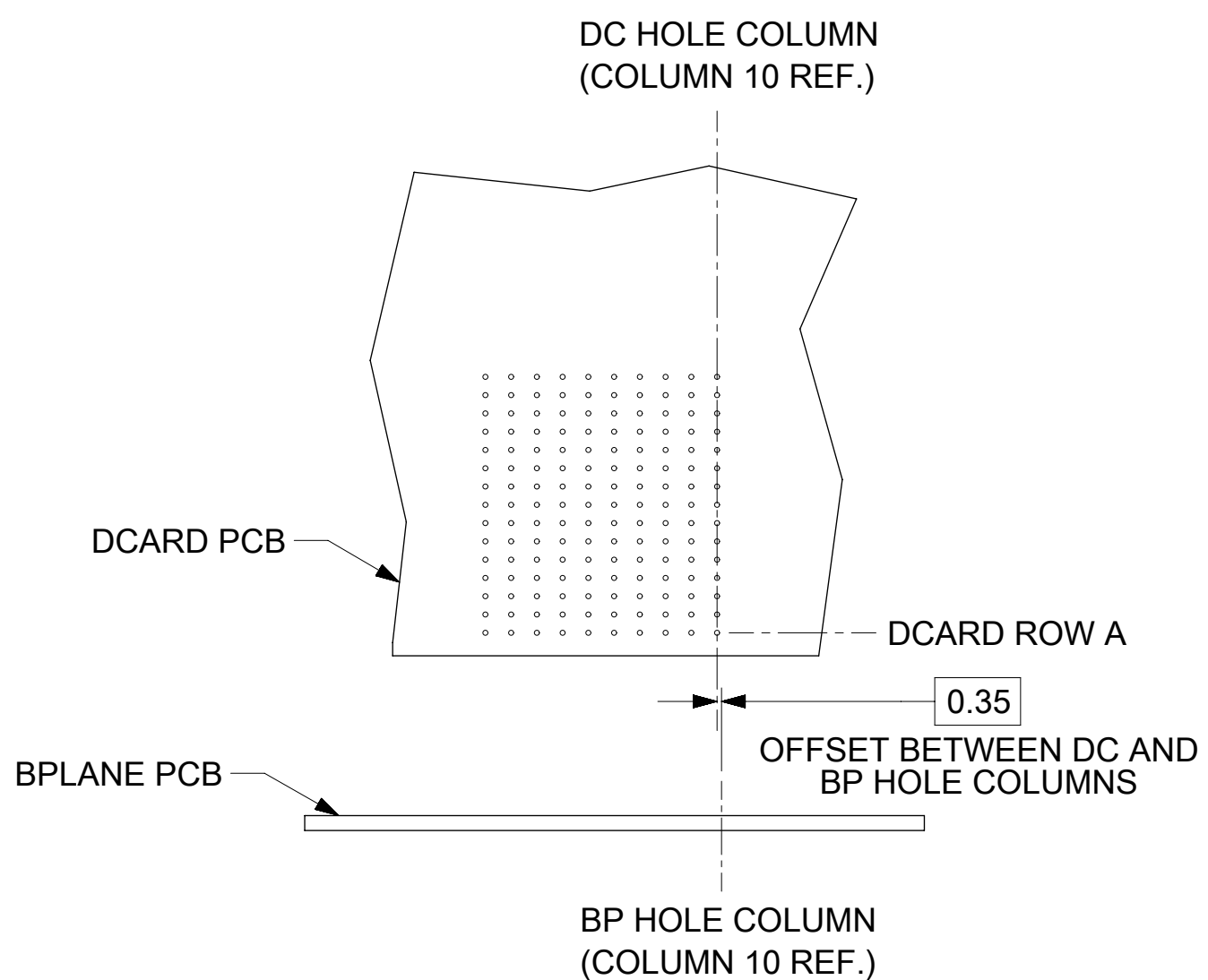
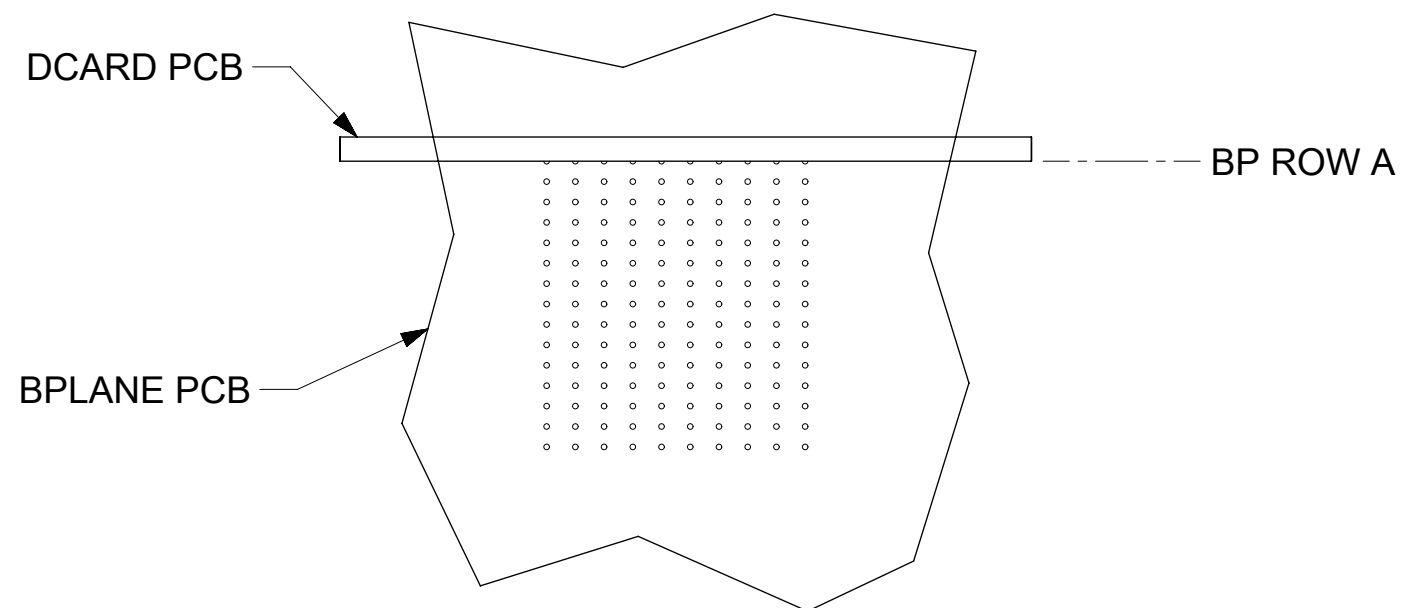


GUIDE LEFT  
OPEN WALL  
OPTION

THIS DRAWING CONTAINS INFORMATION THAT IS PROPRIETARY TO MOLEX ELECTRONIC TECHNOLOGIES, LLC AND SHOULD NOT BE USED WITHOUT WRITTEN PERMISSION

MIGRATED TO NX EC NO: 168852 DRWN: NVELUSAMY CHKD: CD REV / APPR: GGA	2017/10/25	2017/11/30	2017/12/01	GENERAL TOLERANCES (UNLESS SPECIFIED)	DIMENSION UNITS	SCALE			
				ANGULAR TOL ± 2.0 °	MM	2:1			
				4 PLACES ±	DRWN BY	DATE		IMPACT 5-PAIR 85-OHM LEFT GUIDED BACKPLANE SALES ASSEMBLY DRAWING	
				3 PLACES ±	JBINGHAM	2010/05/19			
				2 PLACES ± 0.13	CHKD BY	DATE			
			1 PLACE ± 0.25	JLAURX	2010/05/19				
			0 PLACES ±	APPR BY	DATE	PRODUCT CUSTOMER DRAWING			
			DRAFT WHERE APPLICABLE MUST REMAIN WITHIN DIMENSIONS	JLAURX	2013/05/21	SERIES	MATERIAL NUMBER	CUSTOMER	
				DRAWING SIZE	THIRD ANGLE PROJECTION	170475	SEE TABLE	GENERAL MARKET	
				C		DOCUMENT NUMBER	DOC TYPE	DOC PART	SHEET NUMBER
						SD-170475-0002	PSD	001	2 OF 3

# IMPACT 5 PAIR BOARD RELATIONSHIPS



THIS DRAWING CONTAINS INFORMATION THAT IS PROPRIETARY TO MOLEX ELECTRONIC TECHNOLOGIES, LLC AND SHOULD NOT BE USED WITHOUT WRITTEN PERMISSION

MIGRATED TO NX EC NO: 168852 DRWN: NVELUSAMY CHKD: CD REV / APPR: GGA	2017/10/25		2017/11/30		2017/12/01		GENERAL TOLERANCES (UNLESS SPECIFIED)		DIMENSION UNITS: MM		SCALE: 3:1		<b>molex</b> IMPACT 5-PAIR 85-OHM LEFT GUIDED BACKPLANE SALES ASSEMBLY DRAWING		
	4 PLACES ±		3 PLACES ±		2 PLACES ± 0.13		1 PLACE ± 0.25		DRWN BY: JBINGHAM		DATE: 2010/05/19				
	0 PLACES ±		DRAFT WHERE APPLICABLE MUST REMAIN WITHIN DIMENSIONS		DRAWING SIZE: C		THIRD ANGLE PROJECTION		CHKD BY: JLAURX		DATE: 2010/05/19		SERIES: 170475 MATERIAL NUMBER: SEE TABLE CUSTOMER: GENERAL MARKET		
	D3								APPR BY: JLAURX		DATE: 2013/05/21				