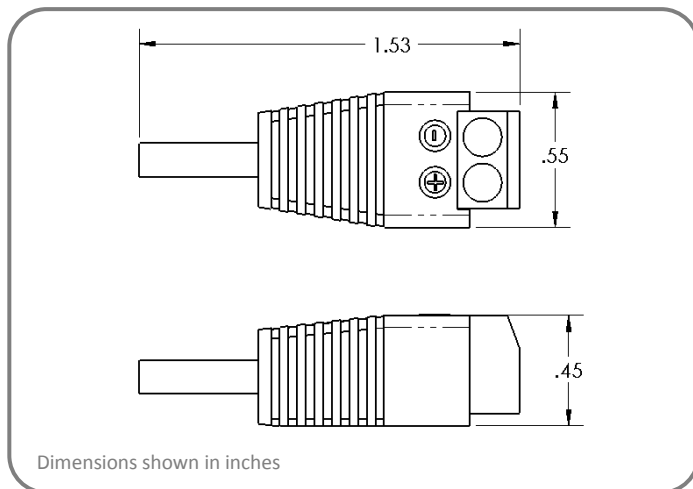


inspired LED

Plug-in Screw Terminal

Inspired LED's solderless **Plug-in Screw Terminals** are a quick, convenient, in-field solution for creating custom length cables for LED systems. These innovative accessories easily connect to any bulk cable sized 16-22AWG, allowing it to plug directly into Inspired LED strips or panels with 3.5mm end jacks. Installing the perfect low-voltage lighting system has never been easier!



Product Specifications: (SKU# 4781)

- Designed for in-field system design & customization
- Solderless termination of 16-22 AWG wire to 3.5mm plug
- Max Load- 5 AMPs with plug-in system, 3 AMPs with hardwired system

Instructions:

- 1** Use scissors or wire cutters to cut bulk cable to length as needed
- 2** Strip cable back ¼" to expose (+) and (-) wire, if using Inspired LED cable, white writing indicates (+)
- 3** Examine plug-in screw terminal to identify (+) and (-) polarity
- 4** Use small screw driver to loosen screws on the top of connector piece
- 5** Taking note to match (+) polarity of cable to polarity of plug-in screw terminal, insert wires into silver terminals
- 6** Use screw driver to tighten screws, securing wire in place
- 7** Use plug-in screw terminal to connect directly to 3.5mm end jack of Inspired LED flex or panels
- 8** Connect system to class 2 power source to verify connections, then continue with installation as needed

Troubleshooting: If LEDs are flickering, double check connection to be sure flex is fully inserted and secured, if no lights turn on check to be sure polarities are properly matched



inspiredled.com



orders@inspiredled.com



(480) 941-4286