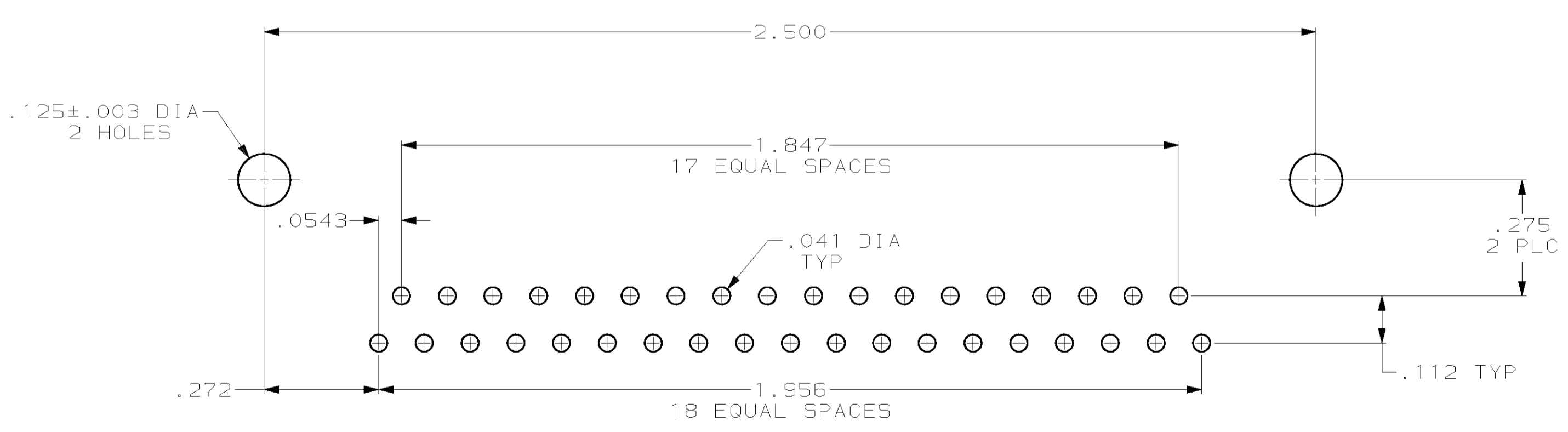
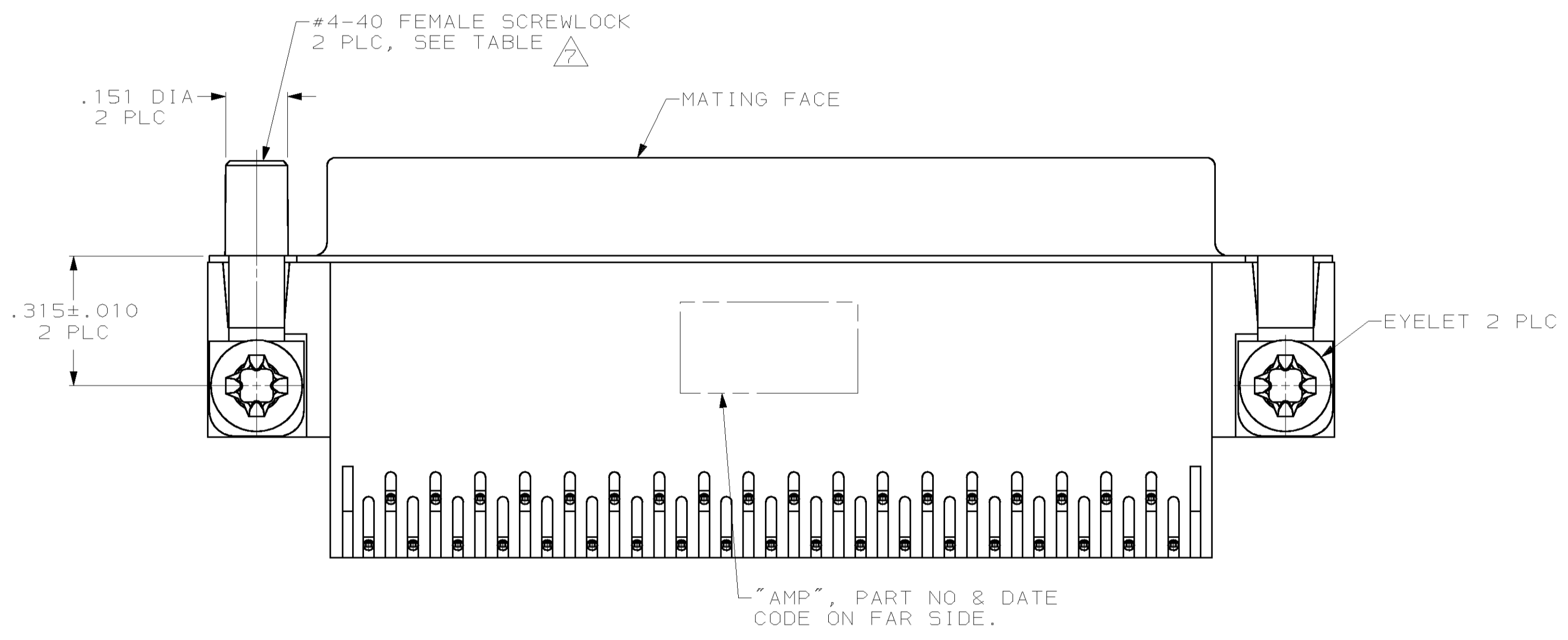
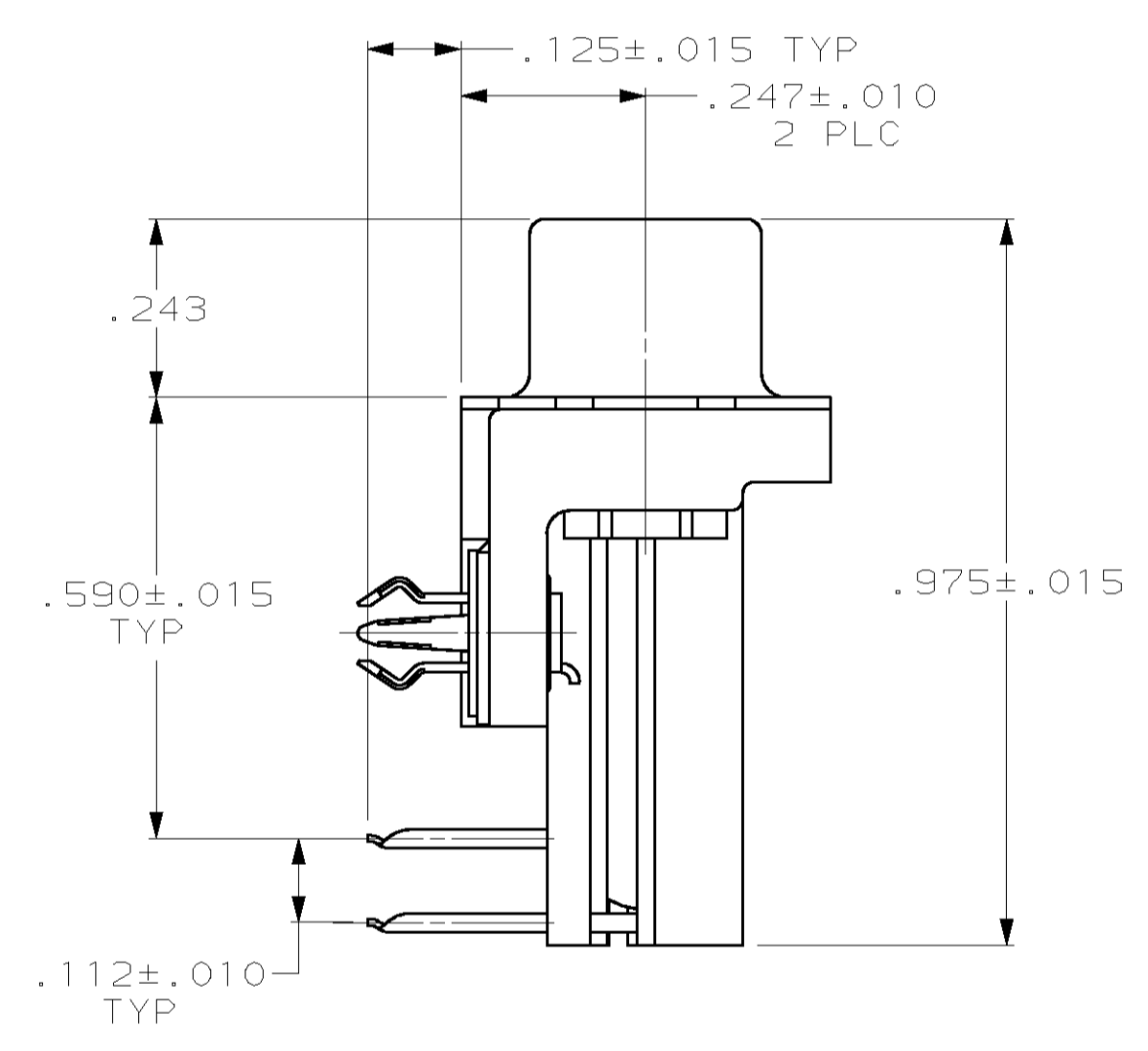
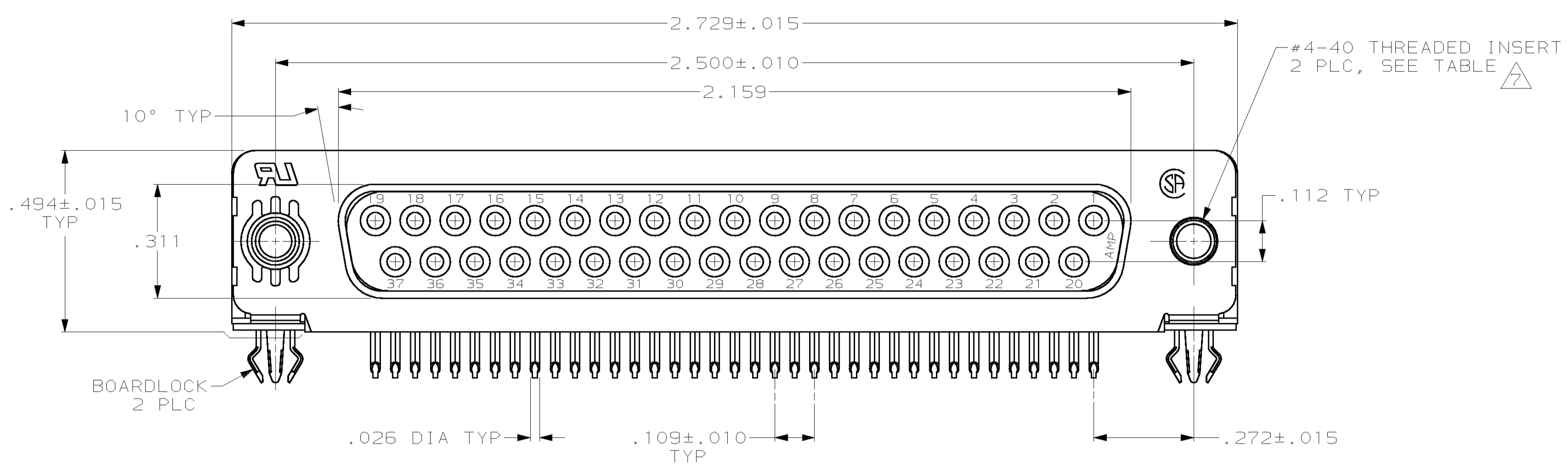


LOC	DIST	REVISIONS			
F	CHR	DESCRIPTION	DATE	ENR	APVD
T		REV PER EC 0640-0285-99	15FEB00	DD	KB
U		REV PER EC 001D-0142-00	08 MAY 00	DB	JK



RECOMMENDED P.C. BOARD MOUNTING DIMENSIONS

- CONNECTOR MATES WITH ANY 25 POSN PLUG IN AMPLIMITE™ SERIES.
- MOLDED PARTS: FLAME RETARDANT 94V-0 RATED THERMOPLASTIC, BLACK.  
SHELL: STEEL PER ASTM A109  
CONTACTS: PHOSPHOR BRONZE PER QQ-B-750  
EYELETS: BRASS  
SCREWLOCKS: ZINC  
INSERTS: ZINC  
BOARDLOCKS: COPPER ALLOY
- SHELL: .000100 MIN TIN OR TIN-LEAD  
CONTACTS: SEE TABLE  
EYELETS: TIN  
SCREWLOCKS: CLEAR CHROMATE  
BOARDLOCKS: TIN-LEAD  
INSERTS: CLEAR CHROMATE
- GOLD PLATING PER MIL-G-45204, NICKEL PLATING PER QQ-N-290, TIN PLATING PER MIL-T-10727.
- GOLD FLASH FOR A DISTANCE OF .100 MIN FROM MATING END, .000100-.000200 BRIGHT TIN OR BRIGHT TIN-LEAD ON TERMINATION END, ALL OVER .000050 NICKEL ON ENTIRE CONTACT.
- .000030 GOLD FOR A DISTANCE OF .100 MIN FROM MATING END, .000100-.000200 BRIGHT TIN OR BRIGHT TIN-LEAD ON TERMINATION END, ALL OVER .000050 NICKEL ON ENTIRE CONTACT.
- SCREWLOCKS & INSERTS WILL WITHSTAND 4 IN-LBS TORQUE & 20 LBS PULL OUT FORCE FROM MATING FACE SIDE.

SUPSD BY 747839-4	FEMALE SCREWLOCKS	△6	747839-6
OBSOLETE	FEMALE SCREWLOCKS	△5	747839-5
	THREADED INSERTS	△6	747839-4
SUPSD BY 747839-4	THREADED INSERTS	△5	747839-3
OBSOLETE	.125 DIA HOLES	△6	747839-2
OBSOLETE	.125 DIA HOLES	△5	747839-1
	MOUNTING HARDWARE		
	CONTACT FINISH	△4	
	PART NUMBER		

THIS DRAWING IS A CONTROLLED DOCUMENT.

DW	J. GALLUCCI/BC	25-JAN-91
CHK	W.G. LENKER	15-APR-91
APVD	J. YOUNG	15-APR-91

**AMP** AMP Incorporated  
Harrisburg, PA 17105-3608

NAME: RECEPTACLE ASSEMBLY, SIZE 4, 37 POSITION, RIGHT ANGLE, FRONT METAL SHELL, .590 SERIES, .026 DIA POSTS, BOARDLOCKS, AMPLIMITE™ HD-20

PRODUCT SPEC: 108-40025  
APPLICATION SPEC: 114-40010

SIZE: A1  
CAGE CODE: 00779  
DRAWING NO: 747839

REVISIONS: 1 OF 1  
SCALE: 4:1  
SHEET: 1 OF 1  
REV: U