

1445048-5 ✓ ACTIVE

MATE-N-LOK | Micro MATE-N-LOK

TE Internal #: 1445048-5

Rectangular Power Connectors, Housing, Plug, Wire-to-Panel /  
Wire-to-Wire, 5 Position, 3 mm [.118 in] Centerline, Wire & Cable,  
Micro MATE-N-LOK

[View on TE.com >](#)



Connectors > Power Connectors > Rectangular Power > Rectangular Power Connectors



Rectangular Power Connector Type: **Housing**

Connector & Housing Type: **Plug**

Connector System: **Wire-to-Panel, Wire-to-Wire**

Number of Positions: **5**

Centerline (Pitch): **3 mm [.118 in]**

## Features

### Product Type Features

|                                   |                             |
|-----------------------------------|-----------------------------|
| Rectangular Power Connector Type  | Housing                     |
| Connector & Housing Type          | Plug                        |
| Connector System                  | Wire-to-Panel, Wire-to-Wire |
| Sealable                          | No                          |
| Connector & Contact Terminates To | Wire & Cable                |

### Configuration Features

|                     |   |
|---------------------|---|
| Number of Positions | 5 |
| Number of Rows      | 1 |

### Electrical Characteristics

|                   |         |
|-------------------|---------|
| Operating Voltage | 250 VDC |
|-------------------|---------|

### Contact Features

|                                  |         |
|----------------------------------|---------|
| Contact Layout                   | Inline  |
| Contact Retention Within Housing | Without |
| Contact Type                     | Pin     |



### Termination Features

|                                    |       |
|------------------------------------|-------|
| Termination Method to Wire & Cable | Crimp |
|------------------------------------|-------|

### Mechanical Attachment

|                          |                            |
|--------------------------|----------------------------|
| Strain Relief            | Without                    |
| Mating Alignment Type    | Polarization               |
| Mating Retention         | With                       |
| Mating Alignment         | With                       |
| Panel Mount Feature      | With                       |
| Panel Mount Feature Type | Locking Latch              |
| Connector Mounting Type  | Cable Mount (Free-Hanging) |

### Housing Features

|                    |                |
|--------------------|----------------|
| Centerline (Pitch) | 3 mm [.118 in] |
| Housing Color      | Black          |
| Housing Material   | Nylon 66/6     |

### Dimensions

|                                      |                                |
|--------------------------------------|--------------------------------|
| Panel Thickness (Recommended)        | 1.57 – 2.3 mm [.062 – .091 in] |
| Compatible Insulation Diameter (Max) | 1.52 mm                        |
| Connector Height                     | 16.89 mm                       |
| Product Width                        | 3.86 mm                        |
| Product Length                       | 15.85 mm                       |
| Wire Size                            | 100.5 – 1022 CMA               |

### Usage Conditions

|                             |                             |
|-----------------------------|-----------------------------|
| Operating Temperature Range | -40 – 105 °C [-40 – 221 °F] |
|-----------------------------|-----------------------------|

### Operation/Application

|                     |                |
|---------------------|----------------|
| Circuit Application | Power & Signal |
|---------------------|----------------|

### Industry Standards

|                        |                               |
|------------------------|-------------------------------|
| CSA Rating             | Certified, LR 7189            |
| UL Rating              | Recognized                    |
| Agency/Standard        | CNR, USR                      |
| Approved Standards     | UL E28476, VDE 40005280       |
| UL Flammability Rating | UL 94V-0                      |
| Glow Wire Rating       | Standard Part - Not Glow Wire |



### Packaging Features

|                    |      |
|--------------------|------|
| Packaging Quantity | 1000 |
| Packaging Method   | Tray |

### Product Compliance

[For compliance documentation, visit the product page on TE.com>](#)

|   |   |
|---|---|
| EU RoHS Directive 2011/65/EU                  | Compliant   |
| EU ELV Directive 2000/53/EC                   | Compliant   |
| China RoHS 2 Directive MIIT Order No 32, 2016 | No Restricted Materials Above Threshold   |
| EU REACH Regulation (EC) No. 1907/2006        | Current ECHA Candidate List: JUNE 2023 (235)<br>Candidate List Declared Against: JUNE 2023 (235)<br>Does not contain REACH SVHC |
| Halogen Content                               | Low Halogen - Br, Cl, F, I < 900 ppm per homogenous material. Also BFR/CFR/PVC Free   |
| Solder Process Capability                     | Not applicable for solder process capability  |

#### Product Compliance Disclaimer

This information is provided based on reasonable inquiry of our suppliers and represents our current actual knowledge based on the information they provided. This information is subject to change. The part numbers that TE has identified as EU RoHS compliant have a maximum concentration of 0.1% by weight in homogenous materials for lead, hexavalent chromium, mercury, PBB, PBDE, DBP, BBP, DEHP, DIBP, and 0.01% for cadmium, or qualify for an exemption to these limits as defined in the Annexes of Directive 2011/65/EU (RoHS2). Finished electrical and electronic equipment products will be CE marked as required by Directive 2011/65/EU. Components may not be CE marked. Additionally, the part numbers that TE has identified as EU ELV compliant have a maximum concentration of 0.1% by weight in homogenous materials for lead, hexavalent chromium, and mercury, and 0.01% for cadmium, or qualify for an exemption to these limits as defined in the Annexes of Directive 2000/53/EC (ELV). Regarding the REACH Regulation, the information TE provides on SVHC in articles for this part number is based on the latest European Chemicals Agency (ECHA) 'Guidance on requirements for substances in articles' posted at this URL: <https://echa.europa.eu/guidance-documents/guidance-on-reach>

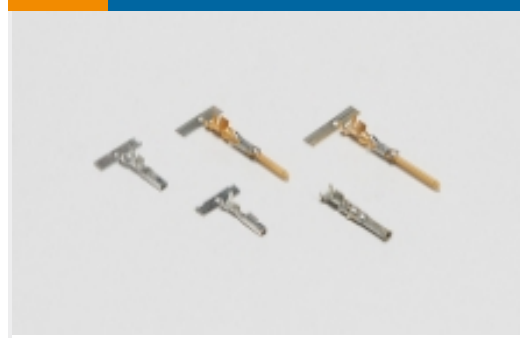
### Compatible Parts



## Also in the Series | Micro MATE-N-LOK



Insertion & Extraction Tools(1)

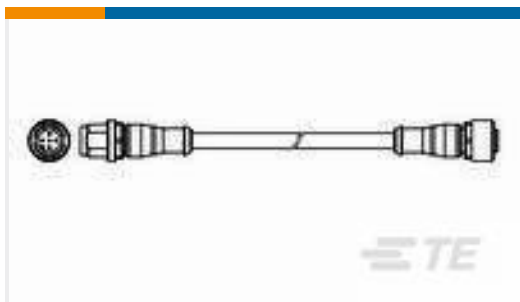


Power Contacts(27)



Rectangular Power Connectors(479)

## Customers Also Bought



TE Part #2273114-2  
M12 strgt plug to M12 strgt socket AA



TE Part #1445022-5  
MICRO MNL RFECEPT HSG SINGLE R



TE Part #1-794611-2  
MICRO MNL RPT CNT,LS PC,30AU L



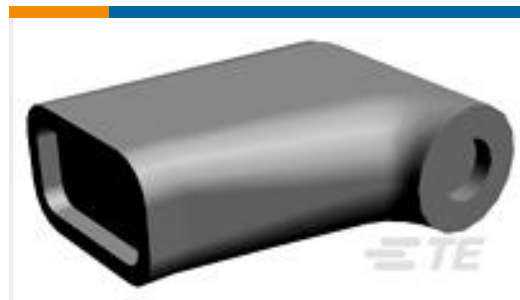
TE Part #1445022-3  
MICRO MNL RFECEPT HSG SINGLE R



TE Part #1445048-2  
PANEL MT SNGL ROW HSG 2 POS



TE Part #1-794608-1  
PIN CONT 20-24 15 GOLD STRIP



TE Part #170891-2  
250 FASTON HSG.,FLAG,REC., NATRUAL



TE Part #1-794612-2  
PIN CONT 20-24 30 GOLD L/P



TE Part #794615-8  
PANEL MT DBL ROW HSG 8 POS



TE Part #2273107-2  
M12 Y conn Male to 2xM12 Female A

## Documents

### Product Drawings

PANEL MT SNGL ROW HSG 5 POS

English

### CAD Files

3D PDF

English



**Customer View Model**

[ENG\\_CVM\\_1445048-5\\_O.2d\\_dxf.zip](#)

English

**Customer View Model**

[ENG\\_CVM\\_1445048-5\\_O.3d\\_igs.zip](#)

English

**Customer View Model**

[ENG\\_CVM\\_1445048-5\\_O.3d\\_stp.zip](#)

English

[3D PDF](#)

3D

**Customer View Model**

[ENG\\_CVM\\_CVM\\_1445048-5\\_B1.2d\\_dxf.zip](#)

English

**Customer View Model**

[ENG\\_CVM\\_CVM\\_1445048-5\\_B1.3d\\_igs.zip](#)

English

**Customer View Model**

[ENG\\_CVM\\_CVM\\_1445048-5\\_B1.3d\\_stp.zip](#)

English

By downloading the CAD file I accept and agree to the [Terms and Conditions](#) of use.

---

**Datasheets & Catalog Pages**

[SOFT\\_SHELL\\_PIN\\_AND\\_SOCKET\\_CONNECTORS\\_CATALOG](#)

English

[MICRO MATE-N-LOK CONNECTOR SYSTEM](#)

English

---

**Product Specifications**

[Application Specification](#)

English

---

**Product Environmental Compliance**

[Product Compliance](#)

English

[Product Compliance](#)

English