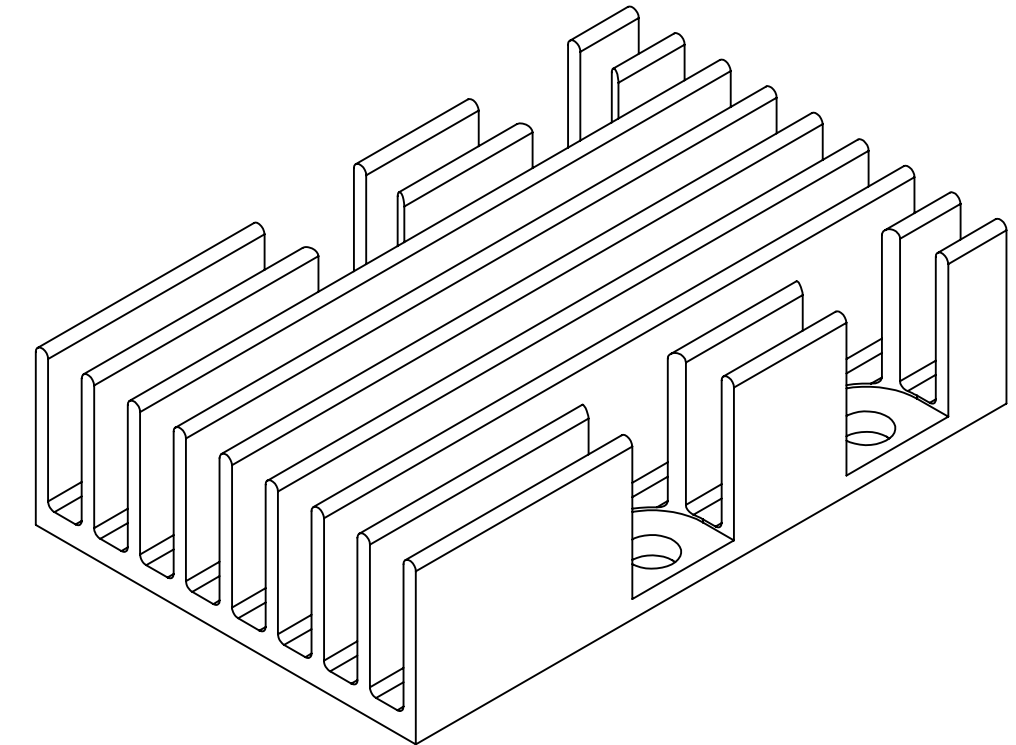
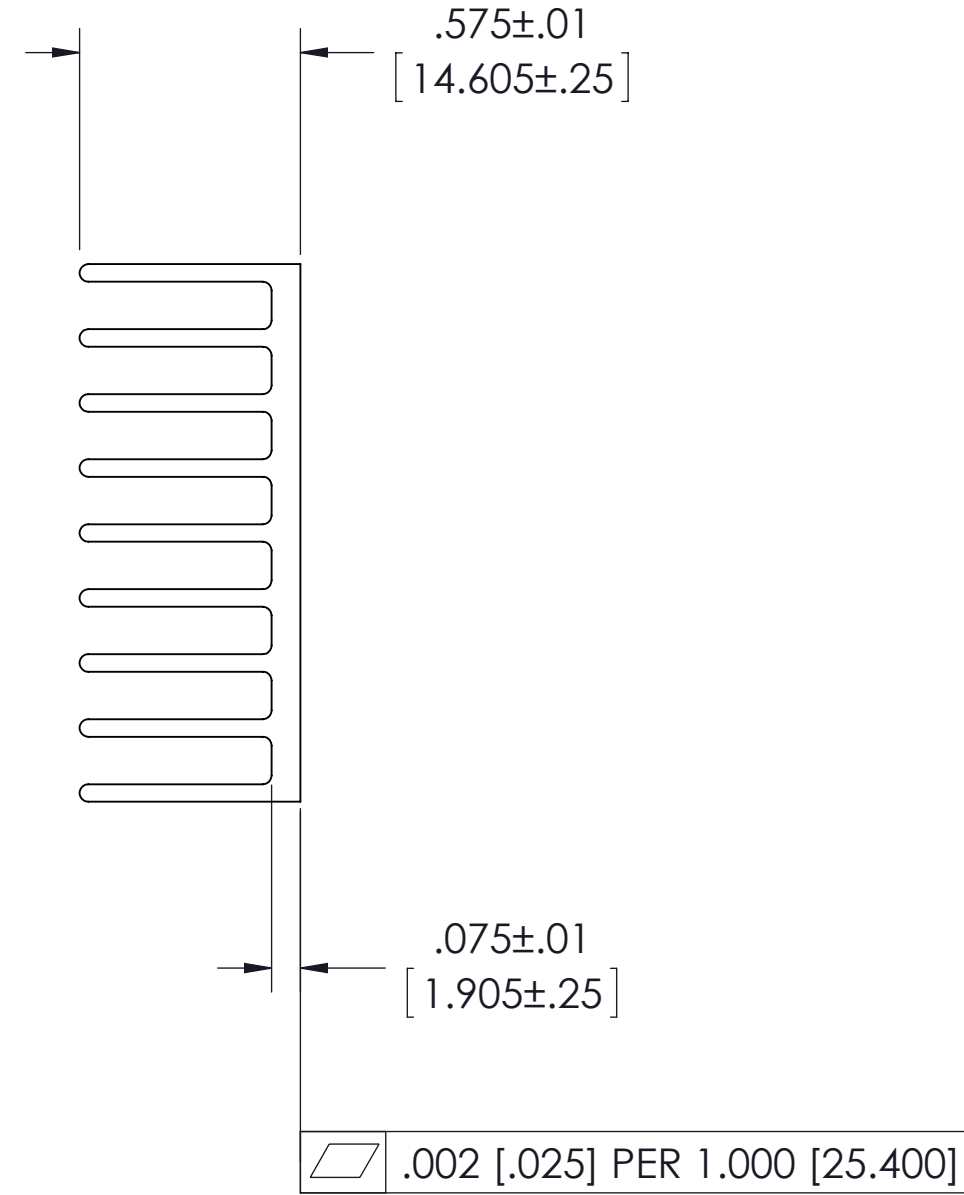
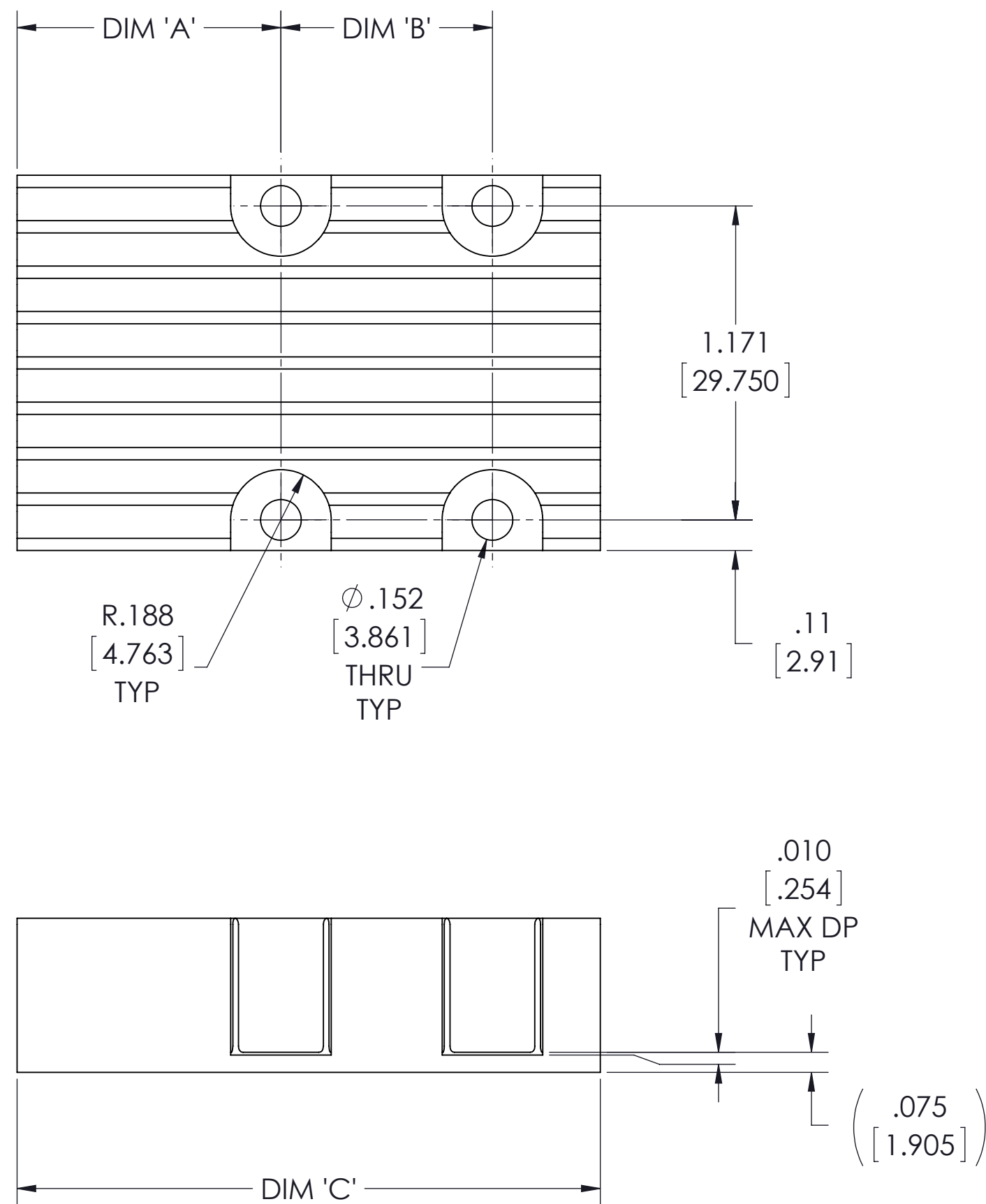


VICOR CONFIDENTIAL  
 THIS DOCUMENT AND THE DATA DISCLOSED HEREIN OR  
 HEREWITH IS NOT TO BE REPRODUCED, USED OR  
 DISCLOSED IN WHOLE OR IN PART TO ANYONE WITHOUT  
 THE PERMISSION OF VICOR CORP.

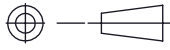
| REV. | DESCRIPTION          | INTL | DATE     | APVD |
|------|----------------------|------|----------|------|
| 1    | RELEASE PER E161031b | GCK  | 11/22/16 | RH   |



| BOM NUMBER | PRODUCT                 | DIM 'A'      | DIM 'B'        | DIM 'C'       |
|------------|-------------------------|--------------|----------------|---------------|
| 43806-01   | 2214 (0 STAGE) 2223     | 0.57 [14.55] | N/A            | 1.23 [31.16]  |
| 43806-02   | 2814 (1 STAGE) 2223     | 0.95 [24.22] | N/A            | 1.60 [40.69]  |
| 43806-03   | 2814 (0 STAGE) 3623     | 0.57 [14.55] | 0.789 [20.033] | 1.77 [45.04]  |
| 43806-04   | 3414 (1 STAGE) 3623     | 0.98 [25.00] | 0.789 [20.033] | 2.18 [55.25]  |
| 43806-05   | 3714 (1 STAGE) 4623     | 0.98 [25.00] | 1.150 [29.200] | 2.55 [64.65]  |
| 43806-06   | 3814 (0 STAGE) 2361     | 0.39 [10.03] | 1.277 [32.430] | 2.56 [65.11]  |
| 43806-07   | 3814 (0 STAGE) 2361 NBM | 0.39 [10.03] | 1.277 [32.430] | 2.56 [65.11]  |
| 43806-08   | 4414 (1 STAGE) 2361     | 0.98 [25.00] | 1.277 [32.430] | 3.15 [80.07]  |
| 43806-09   | 4414 (1 STAGE) 6123     | 0.98 [25.00] | 1.757 [44.625] | 3.15 [80.07]  |
| 43806-10   | 4914 (2 STAGE) 6123     | 1.38 [34.95] | 1.757 [44.625] | 3.54 [89.88]  |
| 43806-11   | 5314 (0 STAGE) 2392     | 0.54 [13.84] | 2.490 [63.250] | 3.93 [99.77]  |
| 43806-12   | 5314 (0 STAGE) 9223     | 0.54 [13.84] | 2.970 [75.445] | 3.93 [99.77]  |
| 43806-13   | 5614 (1 STAGE) 2392     | 0.98 [25.00] | 2.490 [63.250] | 4.24 [107.57] |
| 43806-14   | 5614 (1 STAGE) 9223     | 0.98 [25.00] | 2.970 [75.445] | 4.24 [107.57] |
| 43806-15   | 6114 (2 STAGE) 9223     | 1.38 [34.97] | 2.970 [75.445] | 4.85 [123.30] |

NOTES:

- CLEAR FINISH, RoHS COMPLIANT PER CST-0001, LATEST REVISION PER  
 A.) CHROMIUM FREE, OR  
 B.) TRIVALENT CHROMIUM IN ACCORDANCE WITH  
 MIL-DTL-5541, TYPE II, CLASS 1A OR 3.  
 SEE CST-0003 FOR TYPES OF AVAILABLE FINISHES.
- SEE CHART FOR BOM NUMBERS  
 SEE BOMS FOR PARTS LIST.
- MATERIAL: MAKE FROM AAVID EXTRUSION P/N 66450 OR EQUIVALENT  
 (VICOR P/N 42585)
- REMOVE ALL BURRS AND SHARP EDGES.

|   |                   |  |                           |                        |
|---|-------------------|--|---------------------------|------------------------|
| DRAWN BY<br>Matthew Biron   | DATE<br>2/24/2016 | <b>VICOR</b> SWD                               |                           |                        |
| UNLESS OTHERWISE SPECIFIED<br>DIMENSIONS ARE : INCH / (MM)  |                   | <b>DWG HEAT SINK LF .575 TALL<br/>ADAPTERS</b> |                           |                        |
| TOLERANCES ARE:<br>DECIMALS ±.01 [0.25] ±.1°<br>X.XX [X.XX] = ±0.005 [0.127]  |                   | SIZE<br><b>C</b>                               | CAGE CODE<br><b>67131</b> | DWG NO<br><b>43754</b> |
| THIRD ANGLE PROJECTION<br><br>DO NOT SCALE DRAWING |                   | SCALE 2:1                                      | REV<br><b>1</b>           | SHEET 1 OF 1           |