

ISO7842x High-Performance, 8000-V_{PK} Reinforced Quad-Channel Digital Isolator

1 Features

- Signaling Rate: Up to 100 Mbps
- Wide Supply Range: 2.25 V to 5.5 V
- 2.25-V to 5.5-V Level Translation
- Wide Temperature Range: –55°C to +125°C
- Low-Power Consumption, Typical 1.7 mA per Channel at 1 Mbps
- Low Propagation Delay: 11 ns Typical (5-V Supplies)
- Industry leading CMTI (Min): ±100 kV/μs
- Robust Electromagnetic Compatibility (EMC)
- System-Level ESD, EFT, and Surge Immunity
- Low Emissions
- Isolation Barrier Life: >40 Years
- Wide Body SOIC-16 Package and Extra-Wide Body SOIC-16 Package Options
- Safety and Regulatory Approvals:
 - 8000-V_{PK} Reinforced Isolation per DIN V VDE V 0884-10 (VDE V 0884-10):2006-12
 - 5.7-kV_{RMS} Isolation for 1 Minute per UL 1577
 - CSA Component Acceptance Notice 5A, IEC 60950-1 and IEC 60601-1 End Equipment Standards
 - CQC Certification per GB4943.1-2011
 - TUV Certification per EN 61010-1 and EN 60950-1
 - All DW Package Certifications Complete; DWW Package Certifications Complete per UL, VDE, TUV and Planned for CSA and CQC

2 Applications

- Industrial Automation
- Motor Control
- Power Supplies
- Solar Inverters
- Medical Equipment
- Hybrid Electric Vehicles

3 Description

The ISO7842x device is a high-performance, quad-channel digital isolator with a 8000-V_{PK} isolation voltage. This device has reinforced isolation certifications according to VDE, CSA, CQC, and TUV. The isolator provides high electromagnetic immunity and low emissions at low-power consumption, while isolating CMOS or LVCMOS digital I/Os. Each isolation channel has a logic input and output buffer separated by a silicon-dioxide (SiO₂) insulation barrier.

This device comes with enable pins that can be used to put the respective outputs in high impedance for multi-master driving applications and to reduce power consumption. The ISO7842 device has two forward and two reverse-direction channels. If the input power or signal is lost, the default output is *high* for the ISO7842 device and *low* for the ISO7842F device. See the [Device Functional Modes](#) section for further details.

Used in conjunction with isolated power supplies, this device helps prevent noise currents on a data bus or other circuits from entering the local ground and interfering with or damaging sensitive circuitry. Through innovative chip design and layout techniques, electromagnetic compatibility of the ISO7842 device has been significantly enhanced to ease system-level ESD, EFT, surge, and emissions compliance.

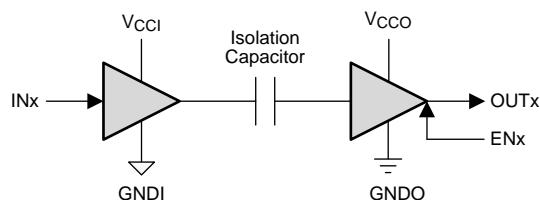
The ISO7842 device is available in 16-pin SOIC wide-body (DW) and extra-wide body (DWW) packages.

Device Information⁽¹⁾

PART NUMBER	PACKAGE	BODY SIZE (NOM)
ISO7842	DW (16)	10.30 mm × 7.50 mm
ISO7842F	DWW (16)	10.30 mm × 14.0 mm

(1) For all available packages, see the orderable addendum at the end of the data sheet.

Simplified Schematic



V_{CCI} and GNDI are supply and ground connections respectively for the input channels.

V_{CCO} and GNDO are supply and ground connections respectively for the output channels.



Table of Contents

1 Features	1	6.19 Typical Characteristics	16
2 Applications	1	7 Parameter Measurement Information	17
3 Description	1	8 Detailed Description	19
4 Revision History	2	8.1 Overview	19
5 Pin Configuration and Functions	5	8.2 Functional Block Diagram	19
6 Specifications	6	8.3 Feature Description	20
6.1 Absolute Maximum Ratings	6	8.4 Device Functional Modes	21
6.2 ESD Ratings	6	9 Application and Implementation	22
6.3 Recommended Operating Conditions	6	9.1 Application Information	22
6.4 Thermal Information	7	9.2 Typical Application	22
6.5 Power Ratings	7	10 Power Supply Recommendations	24
6.6 Insulation Specifications	8	11 Layout	25
6.7 Safety-Related Certifications	9	11.1 Layout Guidelines	25
6.8 Safety Limiting Values	9	11.2 Layout Example	25
6.9 Electrical Characteristics—5-V Supply	10	12 Device and Documentation Support	26
6.10 Supply Current Characteristics—5-V Supply	10	12.1 Documentation Support	26
6.11 Electrical Characteristics—3.3-V Supply	11	12.2 Related Links	26
6.12 Supply Current Characteristics—3.3-V Supply	11	12.3 Receiving Notification of Documentation Updates	26
6.13 Electrical Characteristics—2.5-V Supply	12	12.4 Community Resources	26
6.14 Supply Current Characteristics—2.5-V Supply	12	12.5 Trademarks	26
6.15 Switching Characteristics—5-V Supply	13	12.6 Electrostatic Discharge Caution	26
6.16 Switching Characteristics—3.3-V Supply	13	12.7 Glossary	26
6.17 Switching Characteristics—2.5-V Supply	14	13 Mechanical, Packaging, and Orderable Information	27
6.18 Insulation Characteristics Curves	15		

4 Revision History

NOTE: Page numbers for previous revisions may differ from page numbers in the current version.

Changes from Revision F (April 2016) to Revision G	Page
• Changed part numbers in the <i>Power Ratings</i> table (previously <i>Power Dissipation Characteristics</i>)	7
• Changed the input-to-output test voltage parameter to apparent charge in the <i>Insulation Specifications</i>	8
• Added the <i>Receiving Notification of Documentation Updates</i> section	26

Changes from Revision E (March 2016) to Revision F	Page
• Changed the number of years for the isolation barrier life in the <i>Features</i> section	1
• VDE certification is now complete	1
• Changed V_{CCO} to V_{CCI} for the minimum value of the input threshold voltage hysteresis parameter in all electrical characteristics tables	10
• Added V_{CM} to the test condition of the common-mode transient immunity parameter in all electrical characteristics tables	10
• Added the lifetime projection graphs for DW and DWW packages to the <i>Safety Limiting Values</i> section	15

Changes from Revision D (December 2015) to Revision E	Page
• Changed the Safety and Regulatory Approvals list of <i>Features</i>	1
• Added <i>Features</i> "TUV Certification per EN 61010-1 and EN 60950-1"	1
• Changed text in the first paragraph of the <i>Description</i> From: "certifications according to VDE, CSA, and CQC". To: "certifications according to VDE, CSA, CQC, and TUV."	1
• Added Note 1 to <i>Insulation Characteristics</i>	8

• Changed <i>IEC 60664-1 Ratings Table</i>	8
• Added TUV to the <i>Regulatory Information</i> section and Regulatory Information. Deleted Note 1 in Regulatory Information	9
• Changed <i>Device I/O Schematics</i>	21

Changes from Revision C (July 2015) to Revision D
Page

• Added <i>Features</i> : DW Package Certifications Complete; DWW Certifications Planned	1
• Added text to the <i>Description</i> : and extra-wide body (DWW) packages.	1
• Added package: Extra wide SOIC, DWW (16) to the <i>Device Information</i> table.....	1
• Added the 16-DWW Package to <i>Package Insulation and Safety-Related Specifications</i>	8
• Added the DWW package information to <i>Package Insulation and Safety-Related Specifications</i>	8
• Added the DWW package information to <i>Regulatory Information</i>	9
• Changed the MIN value of CMTI in <i>Electrical Characteristics—5-V Supply</i> , 5 V table From: 70 To: 100 kV/μs, deleted the TYP value of 100 kV/μs	10
• Added the Supply Current - ISO7842DW and ISO7842FDW section to the <i>Supply Current Characteristics—5-V Supply</i> ..	10
• Added the Supply Current - ISO7842DWW and ISO7842FDWW section to the <i>Supply Current Characteristics—5-V Supply</i>	10
• Changed the MIN value of CMTI in <i>Electrical Characteristics—3.3-V Supply</i> , 5 V table From: 70 To: 100 kV/μs, deleted the TYP value of 100 kV/μs	11
• Added the Supply Current - ISO7842DW and ISO7842FDW section to the <i>Supply Current Characteristics—3.3-V Supply</i>	11
• Added the Supply Current - ISO7842DWW and ISO7842FDWW section to the <i>Supply Current Characteristics—3.3-V Supply</i>	11
• Changed the MIN value of CMTI in <i>Electrical Characteristics—2.5-V Supply</i> , 5 V table From: 70 To: 100 kV/μs, deleted the TYP value of 100 kV/μs	12
• Added the Supply Current - ISO7842DW and ISO7842FDW section to the <i>Supply Current Characteristics—2.5-V Supply</i>	12
• Added the Supply Current - ISO7842DWW and ISO7842FDWW section to the <i>Supply Current Characteristics—2.5-V Supply</i>	12
• Added text to the <i>Application Information</i> section: " isolation voltage per UL 1577."	22

Changes from Revision B (April 2015) to Revision C
Page

• Added device ISO7482F to the datasheet	1
• Changed the <i>Description</i> to include: " default output is 'high' for the ISO7842 device and 'low' for the ISO7842F device... "	1
• Changed <i>Thermal Derating Curve for Safety Limiting Current per VDE</i> , Added <i>Thermal Derating Curve for Safety Limiting Power per VDE</i>	15
• Changed From: t_{PLH} and t_{PHL} at 5.5V To: t_{PLH} and t_{PHL} at 5.0 V	16
• Changed <i>Default Output Delay Time Test Circuit and Voltage Waveforms</i>	18
• Added the <i>Device I/O Schematics</i> section	21

Changes from Revision A (November 2014) to Revision B
Page

• Changed the document title From: "Quad-Channel Digital Isolator" To: "Quad-Channel 2/2 Digital Isolator".....	1
• Added <i>Features</i> 2.25 V to 5.5 V Level Translation	1
• Changed <i>Features</i> From: Wide Body SOIC-16 Package To: Wide Body and Extra-Wide Body SOIC-16 Package Options	1
• Changed the Safety and Regulatory Approvals list of <i>Features</i>	1
• VDE certification is now complete	1

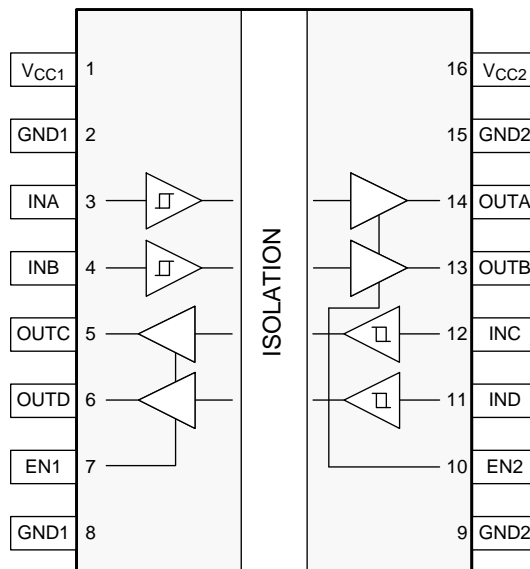
• Changed the Simplified Schematic and added Notes 1 and 2.....	1
• Added the <i>Power Dissipation Characteristics</i> table.....	7
• Changed <i>Package Insulation and Safety-Related Specifications</i>	8
• Changed <i>Insulation Characteristics</i> title From: <i>DIN V VDE 0884-10 (VDE V 0884-10) and UL 1577 Insulation Characteristics To: Insulation Characteristics</i>	8
• Changed <i>Insulation Characteristics</i>	8
• Changed the Test Condition of CTI of the table in <i>Package Insulation and Safety-Related Specifications</i>	8
• Changed the MIN value of CTI From" > 600 V To: 600 V	8
• Changed the table in <i>Regulatory Information</i>	9
• Changed <i>Switching Characteristics Test Circuit and Voltage Waveforms</i>	17
• Changed <i>Enable/Disable Propagation Delay Time Test Circuit and Waveform</i>	17
• Changed From: V_{CC1} To: V_{CC1} in <i>Default Output Delay Time Test Circuit and Voltage Waveforms</i>	18
• Changed <i>Common-Mode Transient Immunity Test Circuit</i>	18
• Deleted INPUT-SIDE and OUTPUT-SIDE from columns 1 and 2 of <i>Function Table</i>	21
• Changed the <i>Application Information</i> section	22
• Changed the <i>Application Information</i> section	22
• Added text and typical circuit hook-up figure to the <i>Detailed Design Procedure</i> section	23

Changes from Original (October 2014) to Revision A
Page

• Changed Feature From: All Agencies Approvals Pending To: All Agencies Approvals Planned	1
• Changed statement in the Description From; "This device is certified to meet reinforced isolation requirements by VDE and CSA." To: "This device is being reviewed for reinforced isolation certification by VDE and CSA."	1
• Changed R_{IO} MIN value From: 10^9 To: 10^{11} in the <i>Package Insulation and Safety-Related Specifications</i> table	8
• Changed the first row of information in the <i>Regulatory Information</i> table	9

5 Pin Configuration and Functions

**DW and DWW Packages
16-Pin SOIC
Top View**



Pin Functions

PIN		I/O	DESCRIPTION
NAME	NO.		
EN1	7	I	Output enable 1. Output pins on side 1 are enabled when EN1 is high or open and in high-impedance state when EN1 is low.
EN2	10	I	Output enable 2. Output pins on side 2 are enabled when EN2 is high or open and in high-impedance state when EN2 is low.
GND1	2	—	Ground connection for V _{CC1}
	8		
GND2	9	—	Ground connection for V _{CC2}
	15		
INA	3	I	Input, channel A
INB	4	I	Input, channel B
INC	12	I	Input, channel C
IND	11	I	Input, channel D
OUTA	14	O	Output, channel A
OUTB	13	O	Output, channel B
OUTC	5	O	Output, channel C
OUTD	6	O	Output, channel D
V _{CC1}	1	—	Power supply, V _{CC1}
V _{CC2}	16	—	Power supply, V _{CC2}

6 Specifications

6.1 Absolute Maximum Ratings

 See ⁽¹⁾

		MIN	MAX	UNIT
V_{CC1} , V_{CC2}	Supply voltage ⁽²⁾	-0.5	6	V
Voltage	INx	-0.5	$V_{CCX} + 0.5$ ⁽³⁾	V
	OUTx	-0.5	$V_{CCX} + 0.5$ ⁽³⁾	
	ENx	-0.5	$V_{CCX} + 0.5$ ⁽³⁾	
I_O	Output current	-15	15	mA
	Surge immunity		12.8	kV
T_{stg}	Storage temperature	-65	150	°C

- (1) Stresses beyond those listed under *Absolute Maximum Ratings* may cause permanent damage to the device. These are stress ratings only and functional operation of the device at these or any other conditions beyond those indicated under *Recommended Operating Conditions* is not implied. Exposure to absolute-maximum-rated conditions for extended periods may affect device reliability.
- (2) All voltage values except differential I/O bus voltages are with respect to the local ground terminal (GND1 or GND2) and are peak voltage values.
- (3) Maximum voltage must not exceed 6 V

6.2 ESD Ratings

		VALUE	UNIT
$V_{(ESD)}$	Electrostatic discharge	Human body model (HBM), per ANSI/ESDA/JEDEC JS-001, all pins ⁽¹⁾	±6000
		Charged device model (CDM), per JEDEC specification JESD22-C101, all pins ⁽²⁾	±1500

- (1) JEDEC document JEP155 states that 500-V HBM allows safe manufacturing with a standard ESD control process.
- (2) JEDEC document JEP157 states that 250-V CDM allows safe manufacturing with a standard ESD control process.

6.3 Recommended Operating Conditions

		MIN	NOM	MAX	UNIT
V_{CC1} , V_{CC2}	Supply voltage	2.25		5.5	V
I_{OH}	High-level output current	$V_{CCO}^{(1)} = 5$ V		-4	mA
		$V_{CCO}^{(1)} = 3.3$ V		-2	
		$V_{CCO}^{(1)} = 2.5$ V		-1	
I_{OL}	Low-level output current	$V_{CCO}^{(1)} = 5$ V		4	mA
		$V_{CCO}^{(1)} = 3.3$ V		2	
		$V_{CCO}^{(1)} = 2.5$ V		1	
V_{IH}	High-level input voltage	$0.7 \times V_{CCI}^{(1)}$		$V_{CCI}^{(1)}$	V
V_{IL}	Low-level input voltage	0		$0.3 \times V_{CCI}^{(1)}$	V
DR	Signaling rate	0		100	Mbps
T_J	Junction temperature ⁽²⁾	-55		150	°C
T_A	Ambient temperature	-55	25	125	°C

- (1) V_{CCI} = Input-side V_{CC} ; V_{CCO} = Output-side V_{CC} .
- (2) To maintain the recommended operating conditions for T_J , see [Thermal Information](#).

6.4 Thermal Information

THERMAL METRIC ⁽¹⁾		ISO7842		UNIT
		DW (SOIC)	DWW (SOIC)	
		16 Pins	16 Pins	
$R_{\theta JA}$	Junction-to-ambient thermal resistance	78.9	78.9	°C/W
$R_{\theta JC(top)}$	Junction-to-case(top) thermal resistance	41.6	41.1	°C/W
$R_{\theta JB}$	Junction-to-board thermal resistance	43.6	49.5	°C/W
Ψ_{JT}	Junction-to-top characterization parameter	15.5	15.2	°C/W
Ψ_{JB}	Junction-to-board characterization parameter	43.1	48.8	°C/W
$R_{\theta JC(bottom)}$	Junction-to-case(bottom) thermal resistance	N/A	N/A	°C/W

(1) For more information about traditional and new thermal metrics, see the [Semiconductor and IC Package Thermal Metrics](#) application report.

6.5 Power Ratings

$V_{CC1} = V_{CC2} = 5.5\text{ V}$, $T_J = 150^\circ\text{C}$, $C_L = 15\text{ pF}$, input a 50 MHz 50% duty cycle square wave

PARAMETER		TEST CONDITIONS	MIN	TYP	MAX	UNIT
P_D	Maximum power dissipation by ISO7842x				200	mW
P_{D1}	Maximum power dissipation by side-1 of ISO7842x				100	mW
P_{D2}	Maximum power dissipation by side-2 of ISO7842x				100	mW

6.6 Insulation Specifications

PARAMETER		TEST CONDITIONS	SPECIFICATION		UNIT
			DW	DWW	
GENERAL					
CLR	External clearance ⁽¹⁾	Shortest pin-to-pin distance through air	>8	>14.5	mm
CPG	External creepage ⁽¹⁾	Shortest pin-to-pin distance across the package surface <i>High Voltage Feature Description</i>	>8	>14.5	mm
DTI	Distance through the insulation	Minimum internal gap (internal clearance)	>21	>21	μm
CTI	Comparative tracking index	DIN EN 60112 (VDE 0303-11); IEC 60112; UL 746A	>600	>600	V
	Material group		I	I	
	Overvoltage category per IEC 60664-1	Rated mains voltage ≤ 600 V _{RMS}	I–IV	I–IV	
		Rated mains voltage ≤ 1000 V _{RMS}	I–III	I–IV	
DIN V VDE V 0884-10 (VDE V 0884-10):2006-12⁽²⁾					
V _{IORM}	Maximum repetitive peak isolation voltage		2121	2828	V _{PK}
V _{IOWM}	Maximum isolation working voltage	AC voltage (sine wave); Time dependent dielectric breakdown (TDDb) Test, see Figure 1 and Figure 2	1500	2000	V _{RMS}
		DC voltage	2121	2828	V _{DC}
V _{IOTM}	Maximum transient isolation voltage	V _{TEST} = V _{IOTM} t = 60 s (qualification) t = 1 s (100% production)	8000	8000	V _{PK}
V _{IOSM}	Maximum surge isolation voltage ⁽³⁾	Test method per IEC 60065, 1.2/50 μs waveform, V _{TEST} = 1.6 × V _{IOSM} = 12800 V _{PK} (qualification)	8000	8000	V _{PK}
q _{pd}	Apparent charge ⁽⁴⁾	Method a: After I/O safety test subgroup 2/3, V _{ini} = V _{IOTM} , t _{ini} = 60 s; V _{pd(m)} = 1.2 × V _{IORM} = 2545 V _{PK} (DW) and 3394 V _{PK} (DWW), t _m = 10 s	≤5	≤5	pC
		Method a: After environmental tests subgroup 1, V _{ini} = V _{IOTM} , t _{ini} = 60 s; V _{pd(m)} = 1.6 × V _{IORM} = 3394 V _{PK} (DW) and 4525 V _{PK} (DWW), t _m = 10 s	≤5	≤5	
		Method b1: At routine test (100% production) and preconditioning (type test) V _{ini} = V _{IOTM} , t _{ini} = 1 s; V _{pd(m)} = 1.875 × V _{IORM} = 3977 V _{PK} (DW) and 5303 V _{PK} (DWW), t _m = 1 s	≤5	≤5	
C _{IO}	Barrier capacitance, input to output ⁽⁵⁾	V _{IO} = 0.4 × sin(2πft), f = 1 MHz	2	2	pF
R _{IO}	Isolation resistance, input to output ⁽⁵⁾	V _{IO} = 500 V, T _A = 25°C	>10 ¹²	>10 ¹²	Ω
		V _{IO} = 500 V, 100°C ≤ T _A ≤ 125°C	>10 ¹¹	>10 ¹¹	
		V _{IO} = 500 V at T _S = 150°C	>10 ⁹	>10 ⁹	
	Pollution degree		2	2	
	Climatic category		55/125/21	55/125/21	
UL 1577					
V _{ISO}	Withstand isolation voltage	V _{TEST} = V _{ISO} = 5700 V _{RMS} , t = 60 s (qualification), V _{TEST} = 1.2 × V _{ISO} = 6840 V _{RMS} , t = 1 s (100% production)	5700	5700	V _{RMS}

- Creepage and clearance requirements should be applied according to the specific equipment isolation standards of an application. Care should be taken to maintain the creepage and clearance distance of a board design to ensure that the mounting pads of the isolator on the printed-circuit board do not reduce this distance. Creepage and clearance on a printed-circuit board become equal in certain cases. Techniques such as inserting grooves, ribs, or both on a printed circuit board are used to help increase these specifications.
- This coupler is suitable for *safe electrical insulation* only within the safety ratings. Compliance with the safety ratings shall be ensured by means of suitable protective circuits.
- Testing is carried out in air or oil to determine the intrinsic surge immunity of the isolation barrier.
- Apparent charge is electrical discharge caused by a partial discharge (pd).
- All pins on each side of the barrier tied together creating a two-pin device.

6.7 Safety-Related Certifications

Certifications for the DW package are complete. DWW package certifications are complete for UL, VDE and TUV and planned for CSA and CQC.

VDE	CSA	UL	CQC	TUV
Certified according to DIN V VDE V 0884-10 (VDE V 0884-10):2006-12 and DIN EN 60950-1 (VDE 0805 Teil 1):2011-01	Approved under CSA Component Acceptance Notice 5A, IEC 60950-1 and IEC 60601-1	Certified according to UL 1577 Component Recognition Program	Certified according to GB 4943.1-2011	Certified according to EN 61010-1:2010 (3rd Ed) and EN 60950-1:2006/A11:2009/A1:2010/A12:2011/A2:2013
Reinforced insulation Maximum transient isolation voltage, 8000 V _{PK} ; Maximum repetitive peak isolation voltage, 2121 V _{PK} (DW), 2828 V _{PK} (DWW); Maximum surge isolation voltage, 8000 V _{PK}	Reinforced insulation per CSA 60950-1-07+A1+A2 and IEC 60950-1 2nd Ed., 800 V _{RMS} (DW package) and 1450 V _{RMS} (DWW package) max working voltage (pollution degree 2, material group I); 2 MOPP (Means of Patient Protection) per CSA 60601-1:14 and IEC 60601-1 Ed. 3.1, 250 V _{RMS} (354 V _{PK}) max working voltage (DW package)	Single protection, 5700 V _{RMS}	Reinforced Insulation, Altitude ≤ 5000 m, Tropical Climate, 250 V _{RMS} maximum working voltage	5700 V _{RMS} Reinforced insulation per EN 61010-1:2010 (3rd Ed) up to working voltage of 600 V _{RMS} (DW package) and 1000 V _{RMS} (DWW package) 5700 V _{RMS} Reinforced insulation per EN 60950-1:2006/A11:2009/A1:2010/A12:2011/A2:2013 up to working voltage of 800 V _{RMS} (DW package) and 1450 V _{RMS} (DWW package)
Certificate number: 40040142	Master contract number: 220991	File number: E181974	Certificate number: CQC15001121716	Client ID number: 77311

6.8 Safety Limiting Values

Safety limiting intends to minimize potential damage to the isolation barrier upon failure of input or output circuitry. A failure of the I/O can allow low resistance to ground or the supply and, without current limiting, dissipate sufficient power to overheat the die and damage the isolation barrier potentially leading to secondary system failures.

PARAMETER		TEST CONDITIONS	MIN	TYP	MAX	UNIT
I _S	Safety input, output, or supply current	R _{θJA} = 78.9°C/W, V _I = 5.5 V, T _J = 150°C, T _A = 25°C			288	mA
		R _{θJA} = 78.9°C/W, V _I = 3.6 V, T _J = 150°C, T _A = 25°C			440	
		R _{θJA} = 78.9°C/W, V _I = 2.75 V, T _J = 150°C, T _A = 25°C			576	
P _S	Safety input, output, or total power	R _{θJA} = 78.9°C/W, T _J = 150°C, T _A = 25°C			1584	mW
T _S	Maximum safety temperature				150	°C

The maximum safety temperature is the maximum junction temperature specified for the device. The power dissipation and junction-to-air thermal impedance of the device installed in the application hardware determines the junction temperature. The assumed junction-to-air thermal resistance in the [Thermal Information](#) is that of a device installed on a high-K test board for leaded surface-mount packages. The power is the recommended maximum input voltage times the current. The junction temperature is then the ambient temperature plus the power times the junction-to-air thermal resistance.

6.9 Electrical Characteristics–5-V Supply

 $V_{CC1} = V_{CC2} = 5\text{ V} \pm 10\%$ (over recommended operating conditions unless otherwise noted)

PARAMETER	TEST CONDITIONS	MIN	TYP	MAX	UNIT
V_{OH}	High-level output voltage $I_{OH} = -4\text{ mA}$; see Figure 11	$V_{CCO}^{(1)} - 0.4$	$V_{CCO}^{(1)} - 0.2$		V
V_{OL}	Low-level output voltage $I_{OL} = 4\text{ mA}$; see Figure 11		0.2	0.4	V
$V_{I(HYS)}$	Input threshold voltage hysteresis	$0.1 \times V_{CCI}^{(1)}$			V
I_{IH}	High-level input current $V_{IH} = V_{CCI}^{(1)}$ at INx or ENx			10	μA
I_{IL}	Low-level input current $V_{IL} = 0\text{ V}$ at INx or ENx	-10			
CMTI	Common-mode transient immunity $V_I = V_{CCI}^{(1)}$ or 0 V, $V_{CM} = 1500\text{ V}$; see Figure 14	100			kV/μs
C_I	Input capacitance $V_I = V_{CC}/2 + 0.4 \times \sin(2\pi ft)$, $f = 1\text{ MHz}$, $V_{CC} = 5\text{ V}$		2		pF

 (1) V_{CCI} = Input-side V_{CC} ; V_{CCO} = Output-side V_{CC} .

6.10 Supply Current Characteristics–5-V Supply

 $V_{CC1} = V_{CC2} = 5\text{ V} \pm 10\%$ (over recommended operating conditions unless otherwise noted)

PARAMETER	TEST CONDITIONS	SUPPLY CURRENT	MIN	TYP	MAX	UNIT
ISO7842DW AND ISO7842FDW						
Supply current	Disable	EN1 = EN2 = 0V, $V_I = 0\text{ V}$ (ISO7842F), $V_I = V_{CCI}^{(1)}$ (ISO7842)	I_{CC1}, I_{CC2}	1	1.5	mA
		EN1 = EN2 = 0V, $V_I = V_{CCI}^{(1)}$ (ISO7842F), $V_I = 0\text{ V}$ (ISO7842)	I_{CC1}, I_{CC2}	3.4	4.8	mA
	DC signal	$V_I = 0\text{ V}$ (ISO7842F), $V_I = V_{CCI}^{(1)}$ (ISO7842)	I_{CC1}, I_{CC2}	2	2.7	mA
		$V_I = V_{CCI}^{(1)}$ (ISO7842F), $V_I = 0\text{ V}$ (ISO7842)	I_{CC1}, I_{CC2}	4.4	6.1	mA
	All channels switching with square wave clock input; $C_L = 15\text{ pF}$	1 Mbps	I_{CC1}, I_{CC2}	3.3	4.6	mA
		10 Mbps	I_{CC1}, I_{CC2}	4.2	5.6	mA
100 Mbps		I_{CC1}, I_{CC2}	13.7	16.6	mA	
ISO7842DWW AND ISO7842FDWW						
Supply current	Disable	EN1 = EN2 = 0V, $V_I = 0\text{ V}$ (ISO7842F), $V_I = V_{CCI}^{(1)}$ (ISO7842)	I_{CC1}, I_{CC2}	1	1.5	mA
		EN1 = EN2 = 0V, $V_I = V_{CCI}^{(1)}$ (ISO7842F), $V_I = 0\text{ V}$ (ISO7842)	I_{CC1}, I_{CC2}	3.4	4.8	mA
	DC signal	$V_I = 0\text{ V}$ (ISO7842F), $V_I = V_{CCI}^{(1)}$ (ISO7842)	I_{CC1}, I_{CC2}	2	2.8	mA
		$V_I = V_{CCI}^{(1)}$ (ISO7842F), $V_I = 0\text{ V}$ (ISO7842)	I_{CC1}, I_{CC2}	4.4	6.3	mA
	All channels switching with square wave clock input; $C_L = 15\text{ pF}$	1 Mbps	I_{CC1}, I_{CC2}	3.4	4.7	mA
		10 Mbps	I_{CC1}, I_{CC2}	4.3	5.9	mA
100 Mbps		I_{CC1}, I_{CC2}	14	17.3	mA	

 (1) V_{CCI} = Input-side V_{CC} ; V_{CCO} = Output-side V_{CC} .

6.11 Electrical Characteristics—3.3-V Supply

 $V_{CC1} = V_{CC2} = 3.3 \text{ V} \pm 10\%$ (over recommended operating conditions unless otherwise noted)

PARAMETER	TEST CONDITIONS	MIN	TYP	MAX	UNIT
V_{OH}	High-level output voltage $I_{OH} = -2 \text{ mA}$; see Figure 11	$V_{CCO}^{(1)} - 0.4$	$V_{CCO}^{(1)} - 0.2$		V
V_{OL}	Low-level output voltage $I_{OL} = 2 \text{ mA}$; see Figure 11		0.2	0.4	V
$V_{I(HYS)}$	Input threshold voltage hysteresis	$0.1 \times V_{CCI}^{(1)}$			V
I_{IH}	High-level input current $V_{IH} = V_{CCI}^{(1)}$ at INx or ENx			10	μA
I_{IL}	Low-level input current $V_{IL} = 0 \text{ V}$ at INx or ENx	-10			μA
CMTI	Common-mode transient immunity $V_I = V_{CCI}^{(1)}$ or 0 V , $V_{CM} = 1500 \text{ V}$; see Figure 14	100			kV/ μs

(1) V_{CCI} = Input-side V_{CC} ; V_{CCO} = Output-side V_{CC} .

6.12 Supply Current Characteristics—3.3-V Supply

 $V_{CC1} = V_{CC2} = 3.3 \text{ V} \pm 10\%$ (over recommended operating conditions unless otherwise noted)

PARAMETER	TEST CONDITIONS	SUPPLY CURRENT	MIN	TYP	MAX	UNIT
ISO7842DW AND ISO7842FDW						
Supply current	Disable	$EN1 = EN2 = 0 \text{ V}$, $V_I = 0 \text{ V}$ (ISO7842F), $V_I = V_{CCI}^{(1)}$ (ISO7842)	I_{CC1}, I_{CC2}	1	1.5	mA
		$EN1 = EN2 = 0 \text{ V}$, $V_I = V_{CCI}^{(1)}$ (ISO7842F), $V_I = 0 \text{ V}$ (ISO7842)	I_{CC1}, I_{CC2}	3.4	4.8	mA
	DC signal	$V_I = 0 \text{ V}$ (ISO7842F), $V_I = V_{CCI}^{(1)}$ (ISO7842)	I_{CC1}, I_{CC2}	2	2.7	mA
		$V_I = V_{CCI}^{(1)}$ (ISO7842F), $V_I = 0 \text{ V}$ (ISO7842)	I_{CC1}, I_{CC2}	4.4	6.1	mA
	All channels switching with square wave clock input; $C_L = 15 \text{ pF}$	1 Mbps	I_{CC1}, I_{CC2}	3.3	4.5	mA
		10 Mbps	I_{CC1}, I_{CC2}	4	5.2	mA
100 Mbps		I_{CC1}, I_{CC2}	10.8	12.9	mA	
ISO7842DWW and ISO7842FDWW						
Supply current	Disable	$EN1 = EN2 = 0 \text{ V}$, $V_I = 0 \text{ V}$ (ISO7842F), $V_I = V_{CCI}^{(1)}$ (ISO7842)	I_{CC1}, I_{CC2}	1	1.5	mA
		$EN1 = EN2 = 0 \text{ V}$, $V_I = V_{CCI}^{(1)}$ (ISO7842F), $V_I = 0 \text{ V}$ (ISO7842)	I_{CC1}, I_{CC2}	3.4	4.8	mA
	DC signal	$V_I = 0 \text{ V}$ (ISO7842F), $V_I = V_{CCI}^{(1)}$ (ISO7842)	I_{CC1}, I_{CC2}	2	2.8	mA
		$V_I = V_{CCI}^{(1)}$ (ISO7842F), $V_I = 0 \text{ V}$ (ISO7842)	I_{CC1}, I_{CC2}	4.4	6.3	mA
	All channels switching with square wave clock input; $C_L = 15 \text{ pF}$	1 Mbps	I_{CC1}, I_{CC2}	3.4	4.7	mA
		10 Mbps	I_{CC1}, I_{CC2}	4.1	5.5	mA
100 Mbps		I_{CC1}, I_{CC2}	11	13.6	mA	

(1) V_{CCI} = Input-side V_{CC} ; V_{CCO} = Output-side V_{CC} .

6.13 Electrical Characteristics—2.5-V Supply

 $V_{CC1} = V_{CC2} = 2.5 \text{ V} \pm 10\%$ (over recommended operating conditions unless otherwise noted)

PARAMETER	TEST CONDITIONS	MIN	TYP	MAX	UNIT
V_{OH}	High-level output voltage $I_{OH} = -1 \text{ mA}$; see Figure 11	$V_{CCO}^{(1)} - 0.4$	$V_{CCO}^{(1)} - 0.2$		V
V_{OL}	Low-level output voltage $I_{OL} = 1 \text{ mA}$; see Figure 11		0.2	0.4	V
$V_{I(HYS)}$	Input threshold voltage hysteresis	$0.1 \times V_{CCI}^{(1)}$			V
I_{IH}	High-level input current $V_{IH} = V_{CCI}^{(1)}$ at INx or ENx			10	μA
I_{IL}	Low-level input current $V_{IL} = 0 \text{ V}$ at INx or ENx	-10			μA
CMTI	Common-mode transient immunity $V_I = V_{CCI}^{(1)}$ or 0 V , $V_{CM} = 1500 \text{ V}$; see Figure 14	100			kV/ μs

 (1) V_{CCI} = Input-side V_{CC} ; V_{CCO} = Output-side V_{CC} .

6.14 Supply Current Characteristics—2.5-V Supply

 $V_{CC1} = V_{CC2} = 2.5 \text{ V} \pm 10\%$ (over recommended operating conditions unless otherwise noted)

PARAMETER	TEST CONDITIONS	SUPPLY CURRENT	MIN	TYP	MAX	UNIT
ISO7842DW AND ISO7842FDW						
Supply current	Disable	$EN1 = EN2 = 0 \text{ V}$, $V_I = 0 \text{ V}$ (ISO7842F), $V_I = V_{CCI}^{(1)}$ (ISO7842)	I_{CC1}, I_{CC2}	1	1.5	mA
		$EN1 = EN2 = 0 \text{ V}$, $V_I = V_{CCI}^{(1)}$ (ISO7842F), $V_I = 0 \text{ V}$ (ISO7842)	I_{CC1}, I_{CC2}	3.4	4.8	mA
	DC signal	$V_I = 0 \text{ V}$ (ISO7842F), $V_I = V_{CCI}^{(1)}$ (ISO7842)	I_{CC1}, I_{CC2}	2	2.7	mA
		$V_I = V_{CCI}^{(1)}$ (ISO7842F), $V_I = 0 \text{ V}$ (ISO7842)	I_{CC1}, I_{CC2}	4.4	6.1	mA
	All channels switching with square wave clock input; $C_L = 15 \text{ pF}$	1 Mbps	I_{CC1}, I_{CC2}	3.2	4.5	mA
		10 Mbps	I_{CC1}, I_{CC2}	3.7	5.1	mA
100 Mbps		I_{CC1}, I_{CC2}	8.9	10.8	mA	
ISO7842DWW AND ISO7842FDWW						
Supply current	Disable	$EN1 = EN2 = 0 \text{ V}$, $V_I = 0 \text{ V}$ (ISO7842F), $V_I = V_{CCI}^{(1)}$ (ISO7842)	I_{CC1}, I_{CC2}	1	1.5	mA
		$EN1 = EN2 = 0 \text{ V}$, $V_I = V_{CCI}^{(1)}$ (ISO7842F), $V_I = 0 \text{ V}$ (ISO7842)	I_{CC1}, I_{CC2}	3.4	4.8	mA
	DC signal	$V_I = 0 \text{ V}$ (ISO7842F), $V_I = V_{CCI}^{(1)}$ (ISO7842)	I_{CC1}, I_{CC2}	2	2.8	mA
		$V_I = V_{CCI}^{(1)}$ (ISO7842F), $V_I = 0 \text{ V}$ (ISO7842)	I_{CC1}, I_{CC2}	4.4	6.3	mA
	All channels switching with square wave clock input; $C_L = 15 \text{ pF}$	1 Mbps	I_{CC1}, I_{CC2}	3.3	4.6	mA
		10 Mbps	I_{CC1}, I_{CC2}	3.8	5.3	mA
100 Mbps		I_{CC1}, I_{CC2}	9	11.5	mA	

 (1) V_{CCI} = Input-side V_{CC} ; V_{CCO} = Output-side V_{CC} .

6.15 Switching Characteristics—5-V Supply

 $V_{CC1} = V_{CC2} = 5\text{ V} \pm 10\%$ (over recommended operating conditions unless otherwise noted)

PARAMETER	TEST CONDITIONS	MIN	TYP	MAX	UNIT	
t_{PLH} , t_{PHL}	Propagation delay time	6	11	16	ns	
PWD	Pulse width distortion ⁽¹⁾ $ t_{PHL} - t_{PLH} $		0.55	4.1	ns	
$t_{sk(o)}$	Channel-to-channel output skew time ⁽²⁾	Same-direction channels		2.5	ns	
$t_{sk(pp)}$	Part-to-part skew time ⁽³⁾			4.5	ns	
t_r	Output signal rise time	See Figure 11		1.7	3.9	ns
t_f	Output signal fall time			1.9	3.9	ns
t_{PHZ}	Disable propagation delay, high-to-high impedance output			12	20	ns
t_{PLZ}	Disable propagation delay, low-to-high impedance output			12	20	ns
t_{PZH}	Enable propagation delay, high impedance-to-high output for ISO7842	See Figure 12		10	20	ns
	Enable propagation delay, high impedance-to-high output for ISO7842F			2	2.5	μs
t_{PZL}	Enable propagation delay, high impedance-to-low output for ISO7842			2	2.5	μs
	Enable propagation delay, high impedance-to-low output for ISO7842F			10	20	ns
t_{is}	Default output delay time from input power loss	Measured from the time V_{CC} goes below 1.7 V. See Figure 13		0.2	9	μs
t_{ie}	Time interval error	$2^{16} - 1$ PRBS data at 100 Mbps		0.90	ns	

- (1) Also known as pulse skew.
- (2) $t_{sk(o)}$ is the skew between outputs of a single device with all driving inputs connected together and the outputs switching in the same direction while driving identical loads.
- (3) $t_{sk(pp)}$ is the magnitude of the difference in propagation delay times between any terminals of different devices switching in the same direction while operating at identical supply voltages, temperature, input signals and loads.

6.16 Switching Characteristics—3.3-V Supply

 $V_{CC1} = V_{CC2} = 3.3\text{ V} \pm 10\%$ (over recommended operating conditions unless otherwise noted)

PARAMETER	TEST CONDITIONS	MIN	TYP	MAX	UNIT	
t_{PLH} , t_{PHL}	Propagation delay time	6	10.8	16	ns	
PWD	Pulse width distortion ⁽¹⁾ $ t_{PHL} - t_{PLH} $		0.7	4.2	ns	
$t_{sk(o)}$	Channel-to-channel output skew time ⁽²⁾	Same-direction channels		2.2	ns	
$t_{sk(pp)}$	Part-to-part skew time ⁽³⁾			4.5	ns	
t_r	Output signal rise time	See Figure 11		0.8	3	ns
t_f	Output signal fall time			0.8	3	ns
t_{PHZ}	Disable propagation delay, high-to-high impedance output			17	32	ns
t_{PLZ}	Disable propagation delay, low-to-high impedance output			17	32	ns
t_{PZH}	Enable propagation delay, high impedance-to-high output for ISO7842	See Figure 12		17	32	ns
	Enable propagation delay, high impedance-to-high output for ISO7842F			2	2.5	μs
t_{PZL}	Enable propagation delay, high impedance-to-low output for ISO7842			2	2.5	μs
	Enable propagation delay, high impedance-to-low output for ISO7842F			17	32	ns
t_{is}	Default output delay time from input power loss	Measured from the time V_{CC} goes below 1.7 V. See Figure 13		0.2	9	μs
t_{ie}	Time interval error	$2^{16} - 1$ PRBS data at 100 Mbps		0.91	ns	

- (1) Also known as Pulse Skew.
- (2) $t_{sk(o)}$ is the skew between outputs of a single device with all driving inputs connected together and the outputs switching in the same direction while driving identical loads.
- (3) $t_{sk(pp)}$ is the magnitude of the difference in propagation delay times between any terminals of different devices switching in the same direction while operating at identical supply voltages, temperature, input signals and loads.

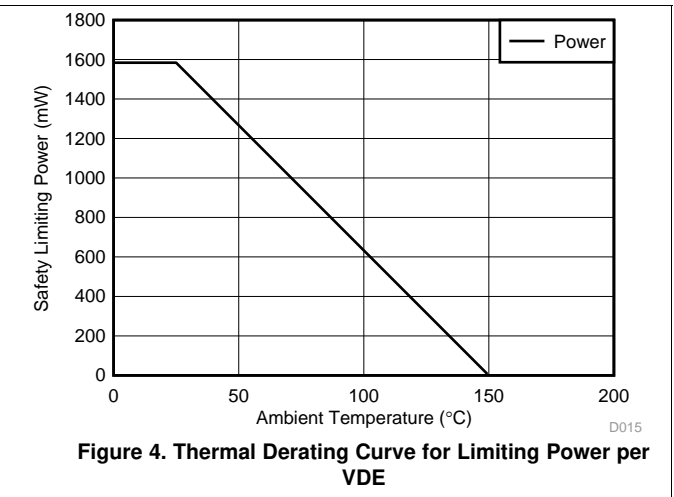
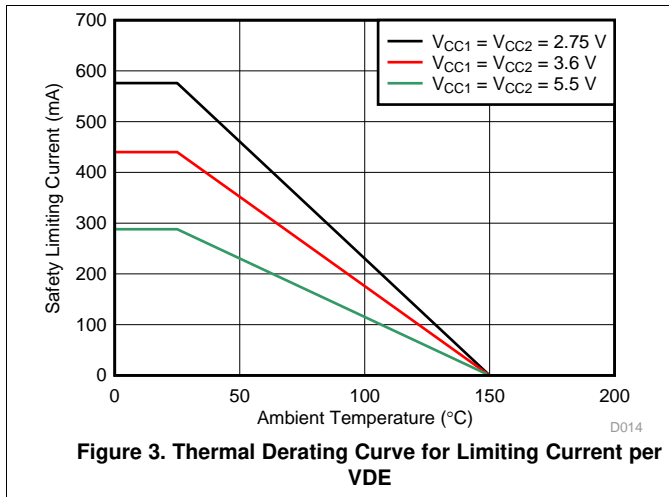
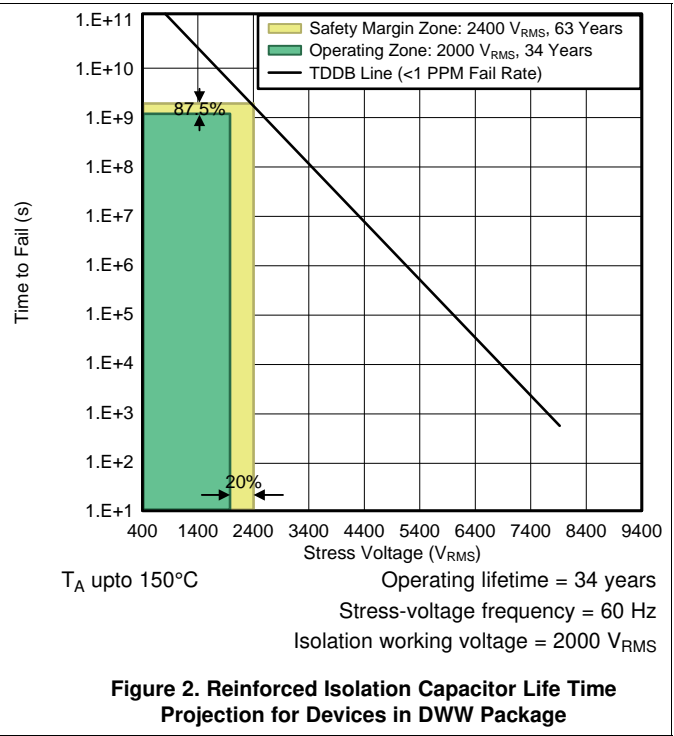
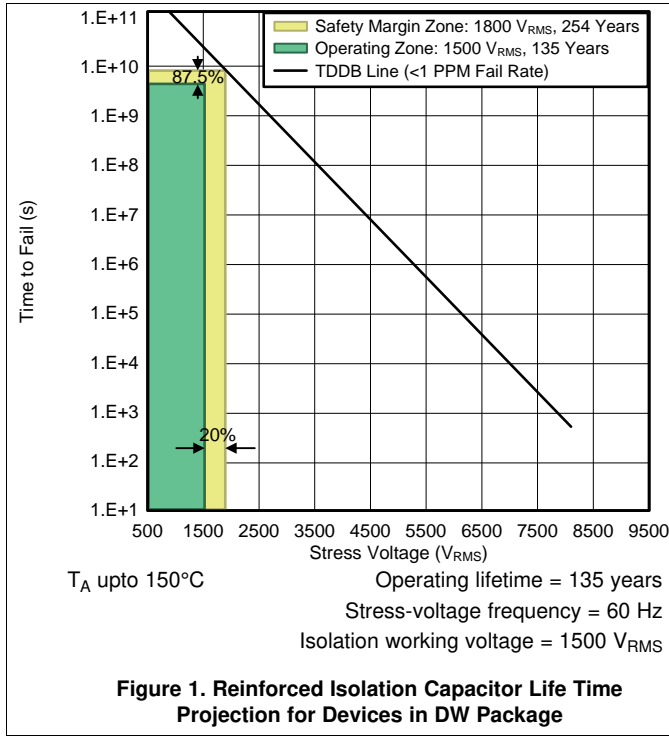
6.17 Switching Characteristics—2.5-V Supply

 $V_{CC1} = V_{CC2} = 2.5 \text{ V} \pm 10\%$ (over recommended operating conditions unless otherwise noted)

PARAMETER		TEST CONDITIONS	MIN	TYP	MAX	UNIT
t_{PLH}, t_{PHL}	Propagation delay time	See Figure 11	7.5	11.7	17.5	ns
PWD	Pulse width distortion ⁽¹⁾ $ t_{PHL} - t_{PLH} $		0.66	4.2		ns
$t_{sk(o)}$	Channel-to-channel output skew time ⁽²⁾	Same-direction Channels			2.2	ns
$t_{sk(pp)}$	Part-to-part skew time ⁽³⁾				4.5	ns
t_r	Output signal rise time	See Figure 11		1	3.5	ns
t_f	Output signal fall time			1.2	3.5	ns
t_{PHZ}	Disable propagation delay, high-to-high impedance output	See Figure 12		22	45	ns
t_{PLZ}	Disable propagation delay, low-to-high impedance output			22	45	ns
t_{PZH}	Enable propagation delay, high impedance-to-high output for ISO7842			18	45	ns
	Enable propagation delay, high impedance-to-high output for ISO7842F			2	2.5	μs
t_{PZL}	Enable propagation delay, high impedance-to-low output for ISO7842			2	2.5	μs
	Enable propagation delay, high impedance-to-low output for ISO7842F			18	45	ns
t_{fs}	Default output delay time from input power loss	Measured from the time V_{CC} goes below 1.7 V. See Figure 13		0.2	9	μs
t_{ie}	Time interval error	$2^{16} - 1$ PRBS data at 100 Mbps		0.91		ns

- (1) Also known as pulse skew.
- (2) $t_{sk(o)}$ is the skew between outputs of a single device with all driving inputs connected together and the outputs switching in the same direction while driving identical loads.
- (3) $t_{sk(pp)}$ is the magnitude of the difference in propagation delay times between any terminals of different devices switching in the same direction while operating at identical supply voltages, temperature, input signals and loads.

6.18 Insulation Characteristics Curves



6.19 Typical Characteristics

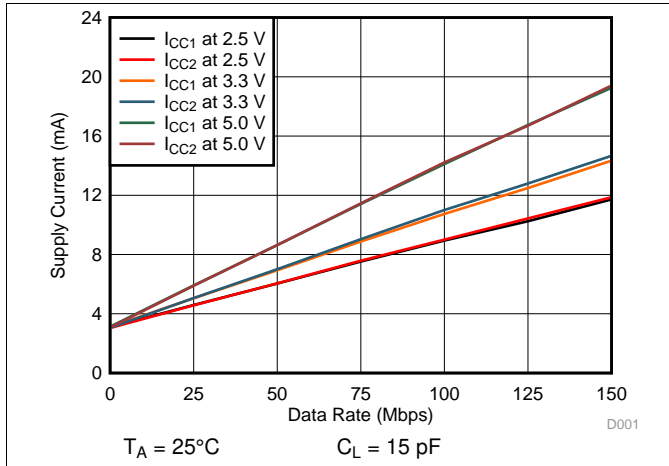


Figure 5. Supply Current vs Data Rate (With 15-pF Load)

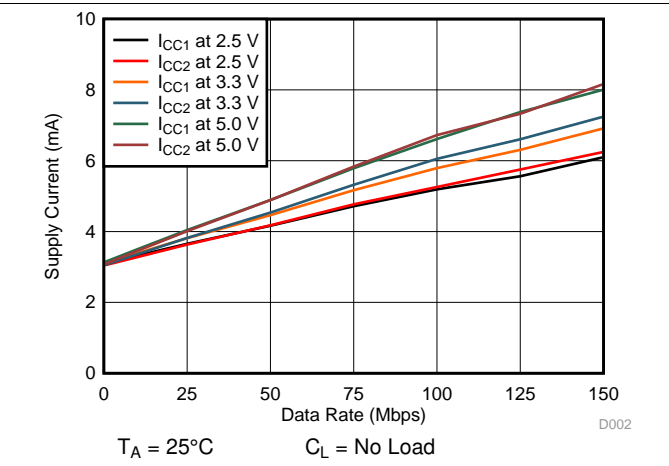


Figure 6. Supply Current vs Data Rate (With No Load)

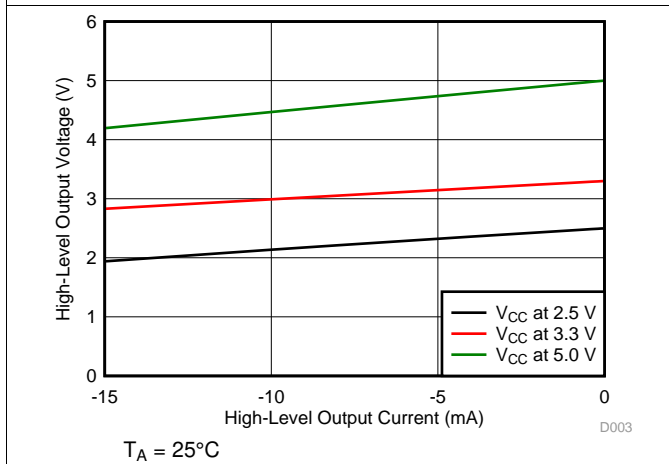


Figure 7. High-Level Output Voltage vs High-level Output Current

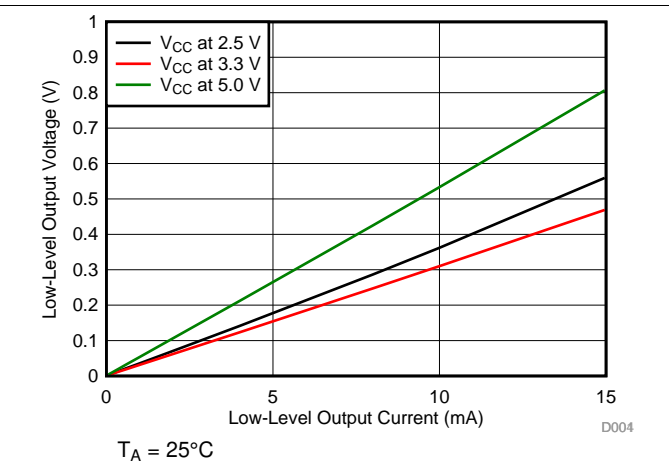


Figure 8. Low-Level Output Voltage vs Low-Level Output Current

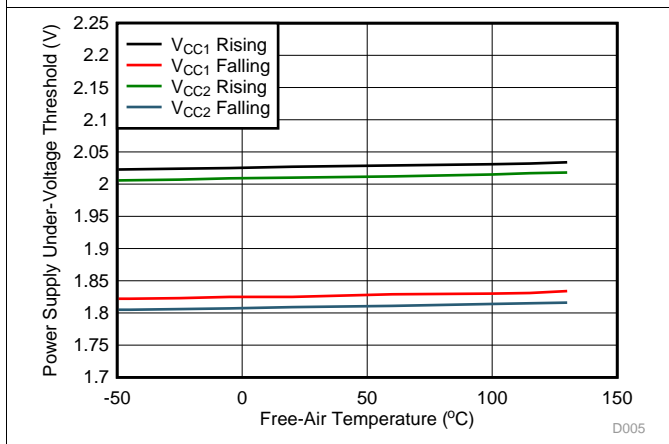


Figure 9. Power Supply Undervoltage Threshold vs Free-Air Temperature

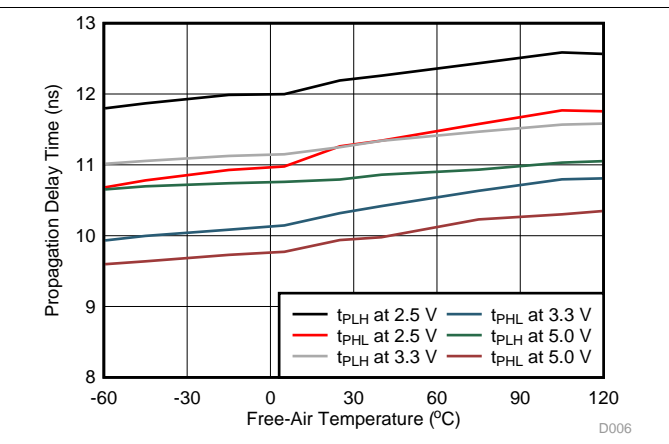
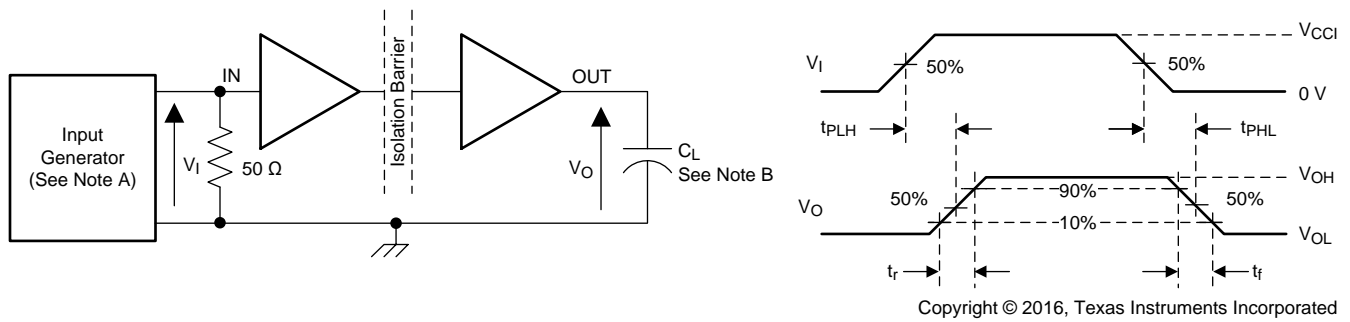


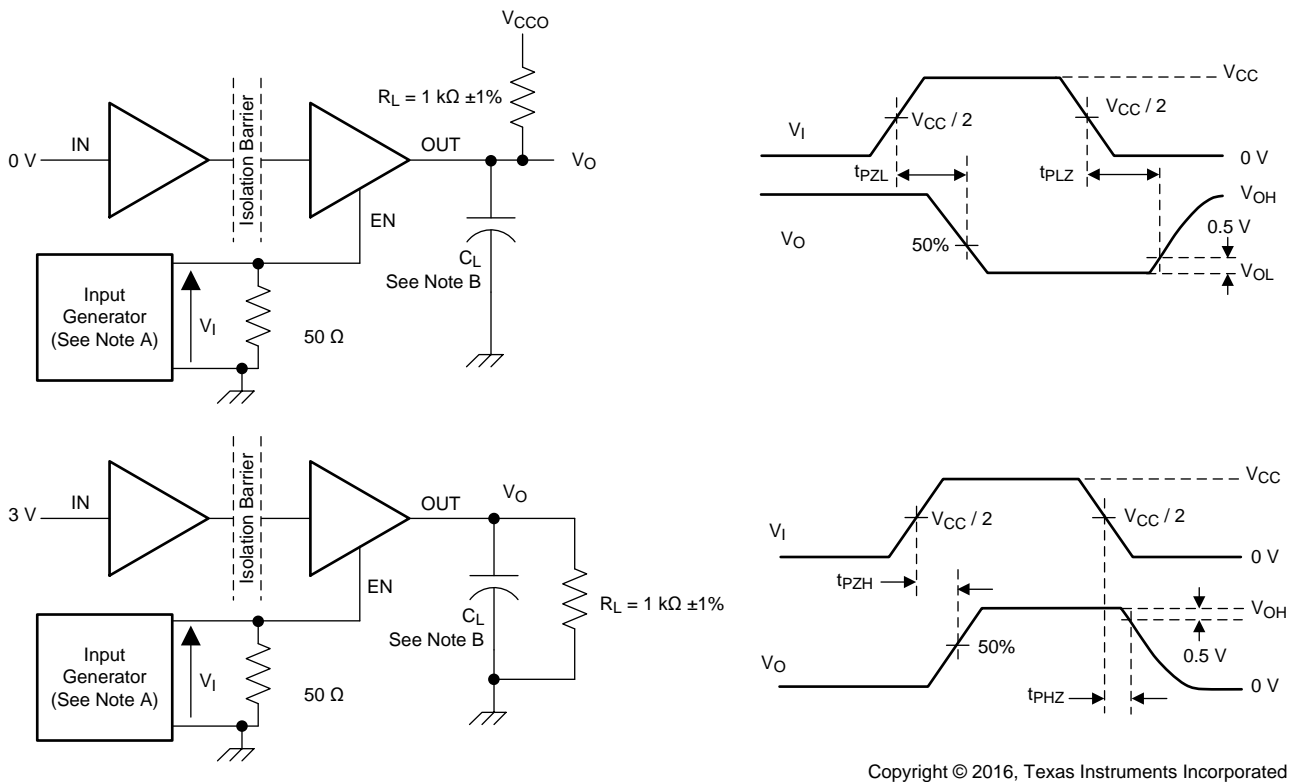
Figure 10. Propagation Delay Time vs Free-Air Temperature

7 Parameter Measurement Information



- A. The input pulse is supplied by a generator having the following characteristics: PRR \leq 50 kHz, 50% duty cycle, $t_r \leq 3$ ns, $t_f \leq 3$ ns, $Z_O = 50 \Omega$. At the input, 50Ω resistor is required to terminate Input Generator signal. It is not needed in actual application.
- B. $C_L = 15$ pF and includes instrumentation and fixture capacitance within $\pm 20\%$.

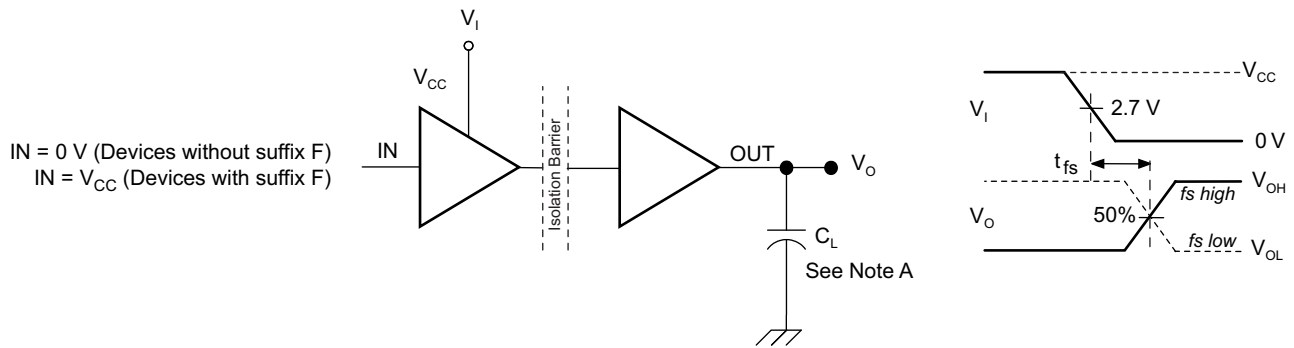
Figure 11. Switching Characteristics Test Circuit and Voltage Waveforms



- A. The input pulse is supplied by a generator having the following characteristics: PRR \leq 10 kHz, 50% duty cycle, $t_r \leq 3$ ns, $t_f \leq 3$ ns, $Z_O = 50 \Omega$.
- B. $C_L = 15$ pF and includes instrumentation and fixture capacitance within $\pm 20\%$.

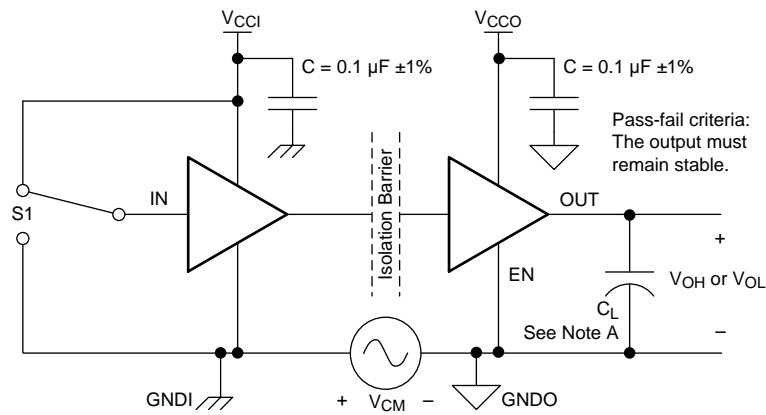
Figure 12. Enable/Disable Propagation Delay Time Test Circuit and Waveform

Parameter Measurement Information (continued)



A. C_L = 15 pF and includes instrumentation and fixture capacitance within ±20%.

Figure 13. Default Output Delay Time Test Circuit and Voltage Waveforms



A. C_L = 15 pF and includes instrumentation and fixture capacitance within ±20%.

Figure 14. Common-Mode Transient Immunity Test Circuit

8 Detailed Description

8.1 Overview

The ISO7842 device uses an ON-OFF keying (OOK) modulation scheme to transmit the digital data across a silicon-dioxide based isolation barrier. The transmitter sends a high-frequency carrier across the barrier to represent one digital state and sends no signal to represent the other digital state. The receiver demodulates the signal after advanced signal conditioning and produces the output through a buffer stage. If the EN pin is low then the output goes to high impedance. The ISO7842 device also incorporates advanced circuit techniques to maximize the CMTI performance and minimize the radiated emissions because of the high-frequency carrier and IO buffer switching. The conceptual block diagram of a digital capacitive isolator, [Figure 15](#), shows a functional block diagram of a typical channel.

8.2 Functional Block Diagram

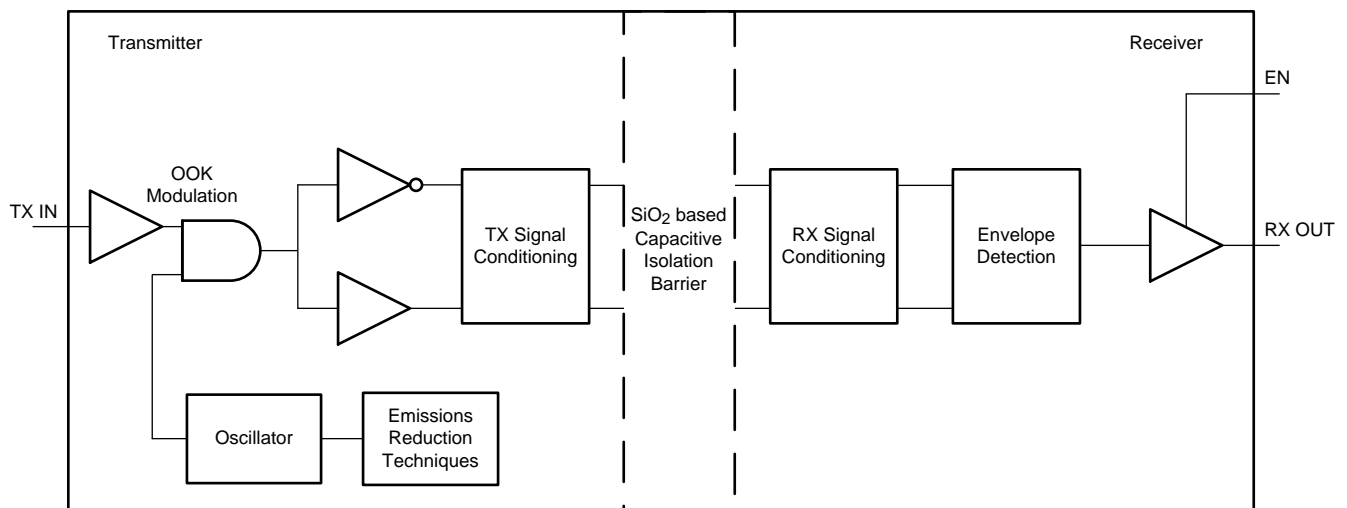


Figure 15. Conceptual Block Diagram of a Digital Capacitive Isolator

[Figure 16](#) shows a conceptual detail of how the ON-OFF keying scheme works.

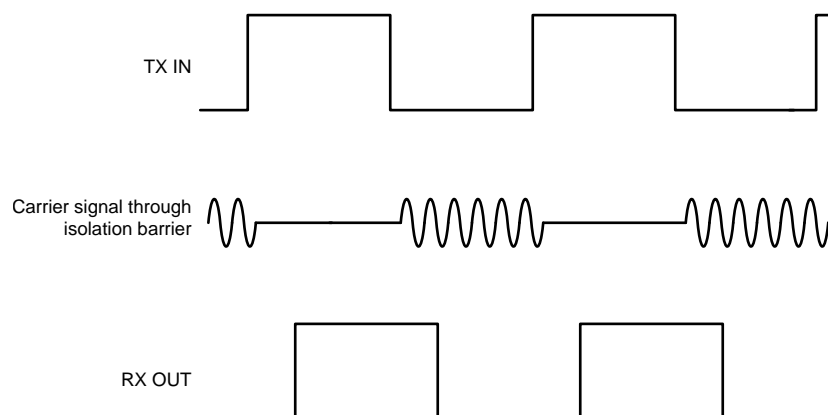


Figure 16. On-Off Keying (OOK) Based Modulation Scheme

8.3 Feature Description

Table 1 lists the device features.

Table 1. Device Features

PART NUMBER	CHANNEL DIRECTION	RATED ISOLATION	MAXIMUM DATA RATE	DEFAULT OUTPUT
ISO7842	2 Forward,	5700 V _{RMS} / 8000 V _{PK} ⁽¹⁾	100 Mbps	High
	2 Reverse			
ISO7842F	2 Forward,	5700 V _{RMS} / 8000 V _{PK} ⁽¹⁾	100 Mbps	Low
	2 Reverse			

(1) See for detailed isolation ratings.

8.3.1 Electromagnetic Compatibility (EMC) Considerations

Many applications in harsh industrial environment are sensitive to disturbances such as electrostatic discharge (ESD), electrical fast transient (EFT), surge, and electromagnetic emissions. These electromagnetic disturbances are regulated by international standards such as IEC 61000-4-x and CISPR 22. Although system-level performance and reliability depends, to a large extent, on the application board design and layout, the ISO7842 device incorporates many chip-level design improvements for overall system robustness. Some of these improvements include

- Robust ESD protection cells for input and output signal pins and inter-chip bond pads.
- Low-resistance connectivity of ESD cells to supply and ground pins.
- Enhanced performance of high voltage isolation capacitor for better tolerance of ESD, EFT and surge events.
- Bigger on-chip decoupling capacitors to bypass undesirable high energy signals through a low impedance path.
- PMOS and NMOS devices isolated from each other by using guard rings to avoid triggering of parasitic SCRs.
- Reduced common mode currents across the isolation barrier by ensuring purely differential internal operation.

8.4 Device Functional Modes

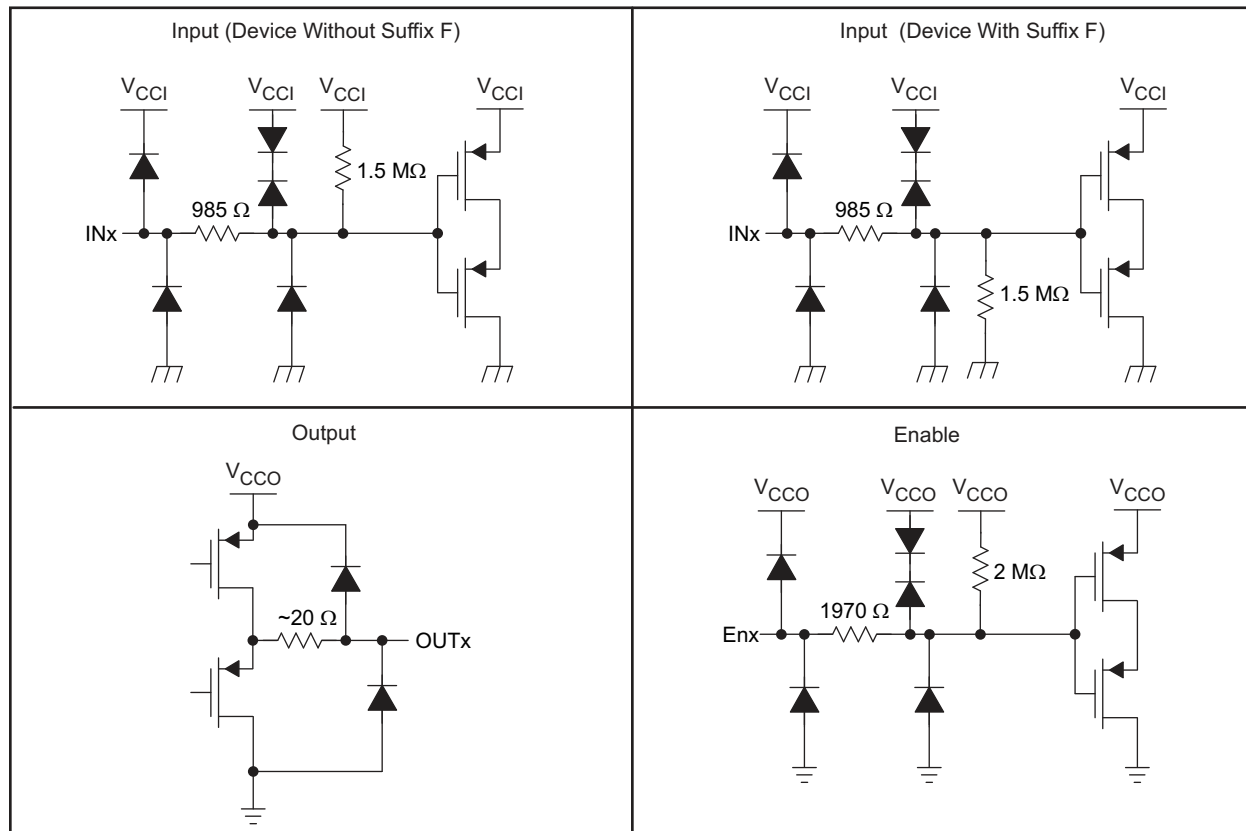
Table 2 lists the ISO7842 functional modes.

Table 2. Function Table ⁽¹⁾

V _{CCI}	V _{CCO}	INPUT (IN _x) ⁽²⁾	OUTPUT ENABLE (EN _x)	OUTPUT (OUT _x)	COMMENTS
PU	PU	H	H or open	H	Normal Operation: A channel output assumes the logic state of its input.
		L	H or open	L	
		Open	H or open	Default	Default mode: When IN _x is open, the corresponding channel output goes to its default logic state. Default= High for ISO7842 and Low for ISO7842F.
X	PU	X	L	Z	A low value of Output Enable causes the outputs to be high-impedance
PD	PU	X	H or open	Default	Default mode: When V _{CCI} is unpowered, a channel output assumes the logic state based on the selected default option. Default= High for IISO7842 and Low for ISO7842F. When V _{CCI} transitions from unpowered to powered-up, a channel output assumes the logic state of its input. When V _{CCI} transitions from powered-up to unpowered, channel output assumes the selected default state.
X	PD	X	X	Undetermined	When V _{CCO} is unpowered, a channel output is undetermined ⁽³⁾ . When V _{CCO} transitions from unpowered to powered-up, a channel output assumes the logic state of its input

- (1) V_{CCI} = Input-side V_{CC}; V_{CCO} = Output-side V_{CC}; PU = Powered up (V_{CC} ≥ 2.25 V); PD = Powered down (V_{CC} ≤ 1.7 V); X = Irrelevant; H = High level; L = Low level ; Z = High Impedance
- (2) A strongly driven input signal can weakly power the floating V_{CC} through an internal protection diode and cause undetermined output.
- (3) The outputs are in undetermined state when 1.7 V < V_{CCI}, V_{CCO} < 2.25 V.

8.4.1 Device I/O Schematics



Copyright © 2016, Texas Instruments Incorporated

Figure 17. Device I/O Schematics

9 Application and Implementation

NOTE

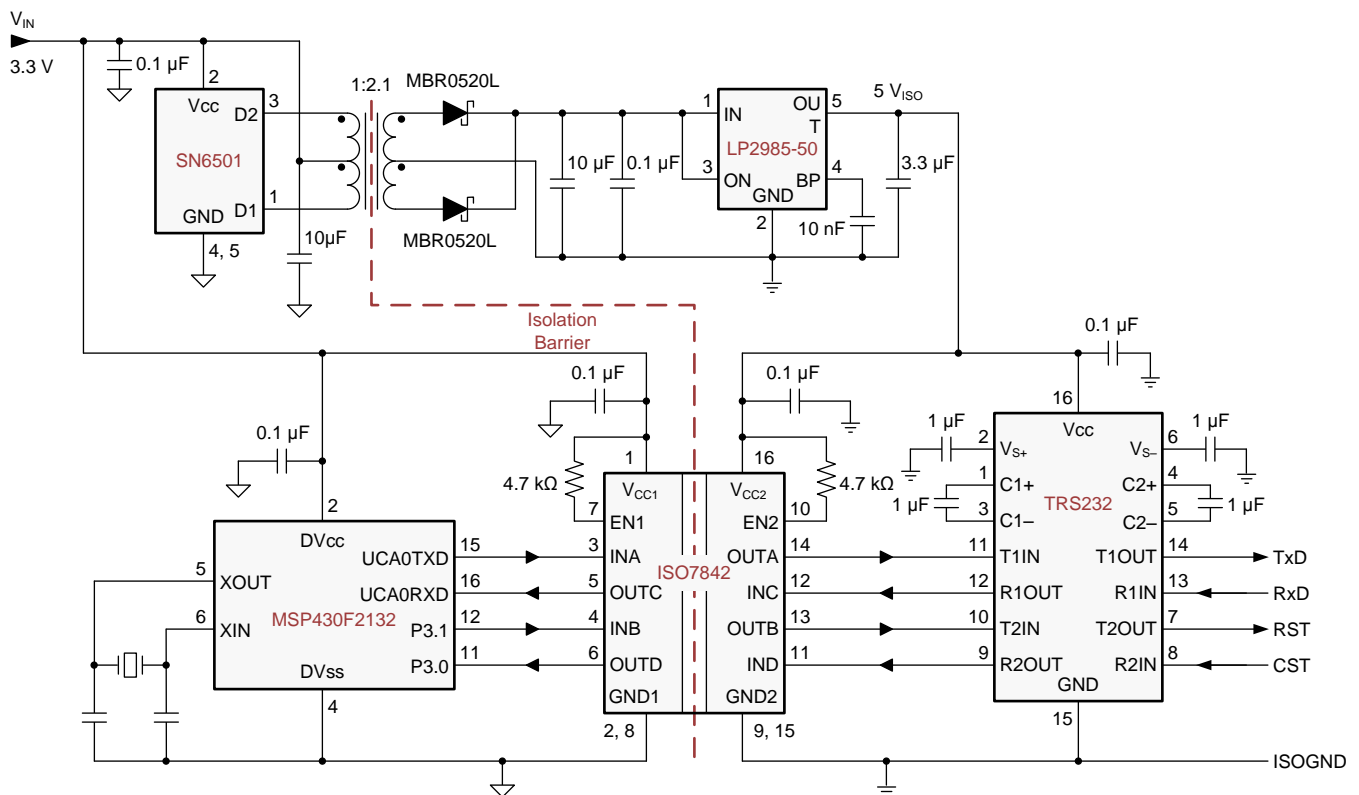
Information in the following applications sections is not part of the TI component specification, and TI does not warrant its accuracy or completeness. TI's customers are responsible for determining suitability of components for their purposes. Customers should validate and test their design implementation to confirm system functionality.

9.1 Application Information

The ISO7842 device is a high-performance, quad-channel digital isolator with a 5.7-kV_{RMS} isolation voltage per UL 1577. The device comes with enable pins on each side that can be used to put the respective outputs in high impedance for multi-master driving applications and reduce power consumption. The ISO7842 device uses single-ended CMOS-logic switching technology. The supply voltage range is from 2.25 V to 5.5 V for both supplies, V_{CC1} and V_{CC2}. When designing with digital isolators, keep in mind that because of the single-ended design structure, digital isolators do not conform to any specific interface standard and are only intended for isolating single-ended CMOS or TTL digital signal lines. The isolator is typically placed between the data controller (that is, μ C or UART), and a data converter or a line transceiver, regardless of the interface type or standard.

9.2 Typical Application

Figure 18 shows the typical isolated RS-232 interface implementation.



Copyright © 2016, Texas Instruments Incorporated

Figure 18. Isolated RS-232 Interface

Typical Application (continued)

9.2.1 Design Requirements

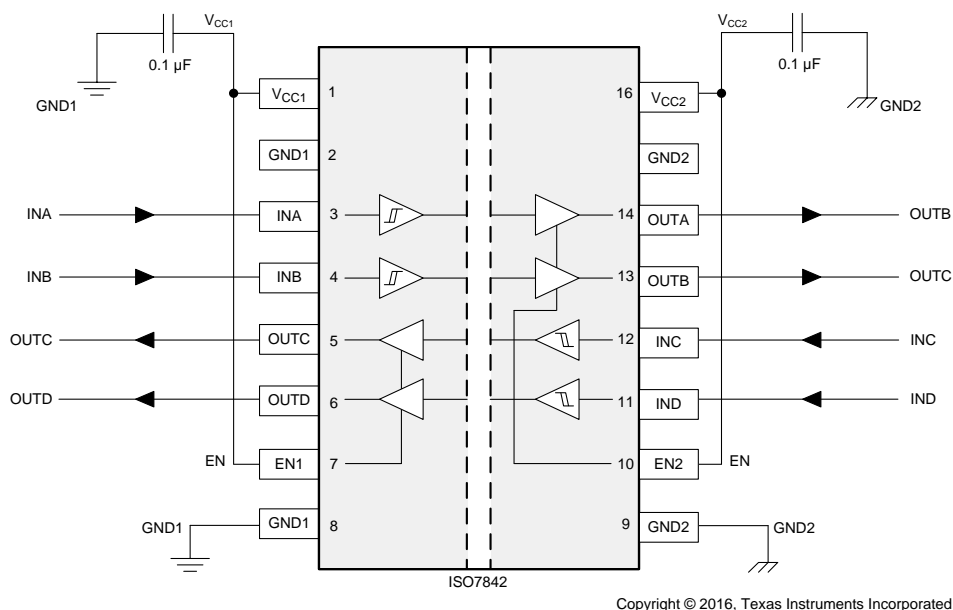
For this design example, use the parameters shown in Table 3.

Table 3. Design Parameters

PARAMETER	VALUE
Supply voltage	2.25 to 5.5 V
Decoupling capacitor between V _{CC1} and GND1	0.1 μF
Decoupling capacitor from V _{CC2} and GND2	0.1 μF

9.2.2 Detailed Design Procedure

Unlike optocouplers, which require external components to improve performance, provide bias, or limit current, the ISO7842 device only requires two external bypass capacitors to operate.



Copyright © 2016, Texas Instruments Incorporated

Figure 19. Typical ISO7842 Circuit Hook-Up

9.2.3 Application Curve

The typical eye diagram of the ISO7842 device indicates low jitter and wide open eye at the maximum data rate of 100 Mbps.

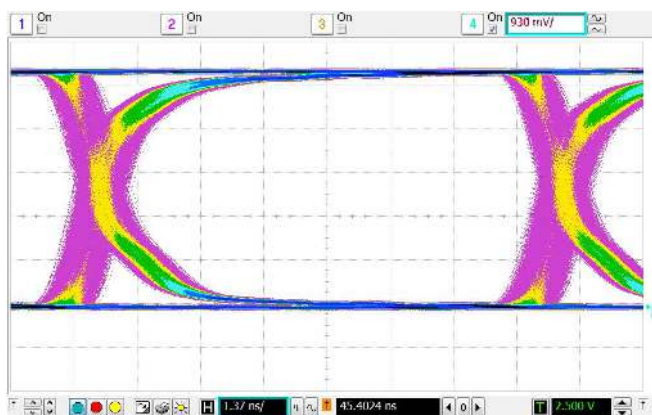


Figure 20. Eye Diagram at 100 Mbps PRBS, 5 V and 25°C

10 Power Supply Recommendations

To help ensure reliable operation at data rates and supply voltages, a 0.1- μ F bypass capacitor is recommended at input and output supply pins (V_{CC1} and V_{CC2}). The capacitors should be placed as close to the supply pins as possible. If only a single primary-side power supply is available in an application, isolated power can be generated for the secondary-side with the help of a transformer driver such as Texas Instruments [SN6501](#). For such applications, detailed power supply design and transformer selection recommendations are available in [SN6501 Transformer Driver for Isolated Power Supplies](#).

11 Layout

11.1 Layout Guidelines

A minimum of four layers is required to accomplish a low EMI PCB design (see [Figure 21](#)). Layer stacking should be in the following order (top-to-bottom): high-speed signal layer, ground plane, power plane and low-frequency signal layer.

- Routing the high-speed traces on the top layer avoids the use of vias (and the introduction of their inductances) and allows for clean interconnects between the isolator and the transmitter and receiver circuits of the data link.
- Placing a solid ground plane next to the high-speed signal layer establishes controlled impedance for transmission line interconnects and provides an excellent low-inductance path for the return current flow.
- Placing the power plane next to the ground plane creates additional high-frequency bypass capacitance of approximately 100 pF/inch².
- Routing the slower speed control signals on the bottom layer allows for greater flexibility as these signal links usually have margin to tolerate discontinuities such as vias.

If an additional supply voltage plane or signal layer is needed, add a second power or ground plane system to the stack to keep it symmetrical. This makes the stack mechanically stable and prevents it from warping. Also the power and ground plane of each power system can be placed closer together, thus increasing the high-frequency bypass capacitance significantly.

For detailed layout recommendations, refer to [Digital Isolator Design Guide](#).

11.1.1 PCB Material

For digital circuit boards operating at less than 150 Mbps, (or rise and fall times greater than 1 ns), and trace lengths of up to 10 inches, use standard FR-4 UL94V-0 printed circuit board. This PCB is preferred over cheaper alternatives because of lower dielectric losses at high frequencies, less moisture absorption, greater strength and stiffness, and the self-extinguishing flammability-characteristics.

11.2 Layout Example

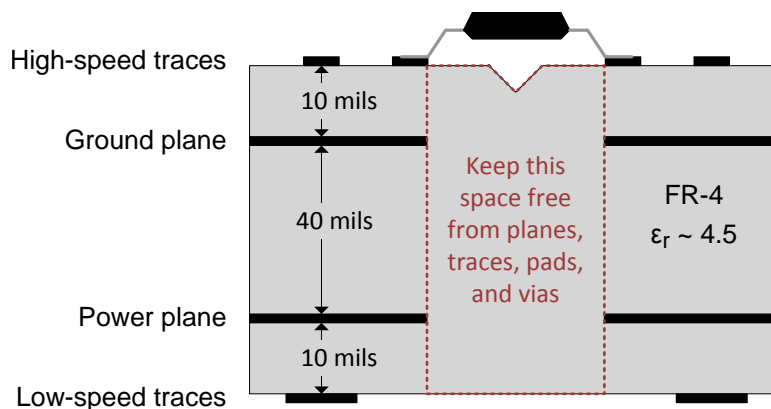


Figure 21. Layout Example Schematic

12 Device and Documentation Support

12.1 Documentation Support

12.1.1 Related Documentation

For related documentation, see the following:

- [Digital Isolator Design Guide](#)
- [Isolation Glossary](#)
- [LP2985 150-mA Low-noise Low-dropout Regulator With Shutdown](#)
- [MSP430G2x32, MSP430G2x02 Mixed Signal Microcontroller](#)
- [SN6501 Transformer Driver for Isolated Power Supplies](#)
- [TRS232 Dual RS-232 Driver/Receiver With IEC61000-4-2 Protection](#)

12.2 Related Links

The table below lists quick access links. Categories include technical documents, support and community resources, tools and software, and quick access to sample or buy.

Table 4. Related Links

PARTS	PRODUCT FOLDER	ORDER NOW	TECHNICAL DOCUMENTS	TOOLS & SOFTWARE	SUPPORT & COMMUNITY
ISO7842	Click here	Click here	Click here	Click here	Click here
ISO7842F	Click here	Click here	Click here	Click here	Click here

12.3 Receiving Notification of Documentation Updates

To receive notification of documentation updates, navigate to the device product folder on ti.com. In the upper right corner, click on *Alert me* to register and receive a weekly digest of any product information that has changed. For change details, review the revision history included in any revised document.

12.4 Community Resources

The following links connect to TI community resources. Linked contents are provided "AS IS" by the respective contributors. They do not constitute TI specifications and do not necessarily reflect TI's views; see TI's [Terms of Use](#).

TI E2E™ Online Community *TI's Engineer-to-Engineer (E2E) Community*. Created to foster collaboration among engineers. At e2e.ti.com, you can ask questions, share knowledge, explore ideas and help solve problems with fellow engineers.

Design Support *TI's Design Support* Quickly find helpful E2E forums along with design support tools and contact information for technical support.

12.5 Trademarks

E2E is a trademark of Texas Instruments.
All other trademarks are the property of their respective owners.

12.6 Electrostatic Discharge Caution



These devices have limited built-in ESD protection. The leads should be shorted together or the device placed in conductive foam during storage or handling to prevent electrostatic damage to the MOS gates.

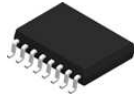
12.7 Glossary

SLYZ022 — *TI Glossary*.

This glossary lists and explains terms, acronyms, and definitions.

13 Mechanical, Packaging, and Orderable Information

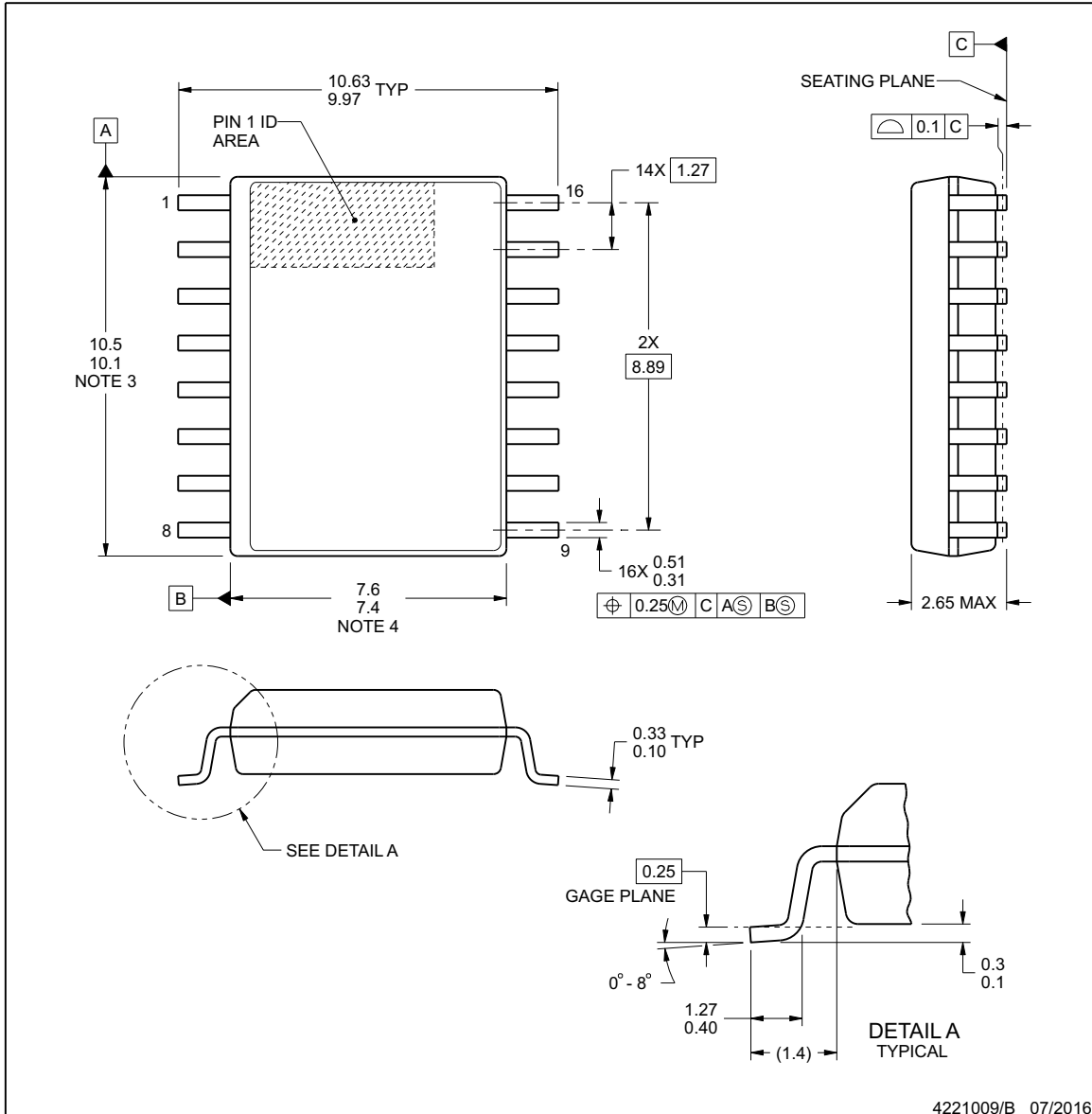
The following pages include mechanical packaging and orderable information. This information is the most current data available for the designated devices. This data is subject to change without notice and revision of this document. For browser-based versions of this data sheet, refer to the left-hand navigation.



PACKAGE OUTLINE

DW0016B
SOIC - 2.65 mm max height

SOIC


NOTES:

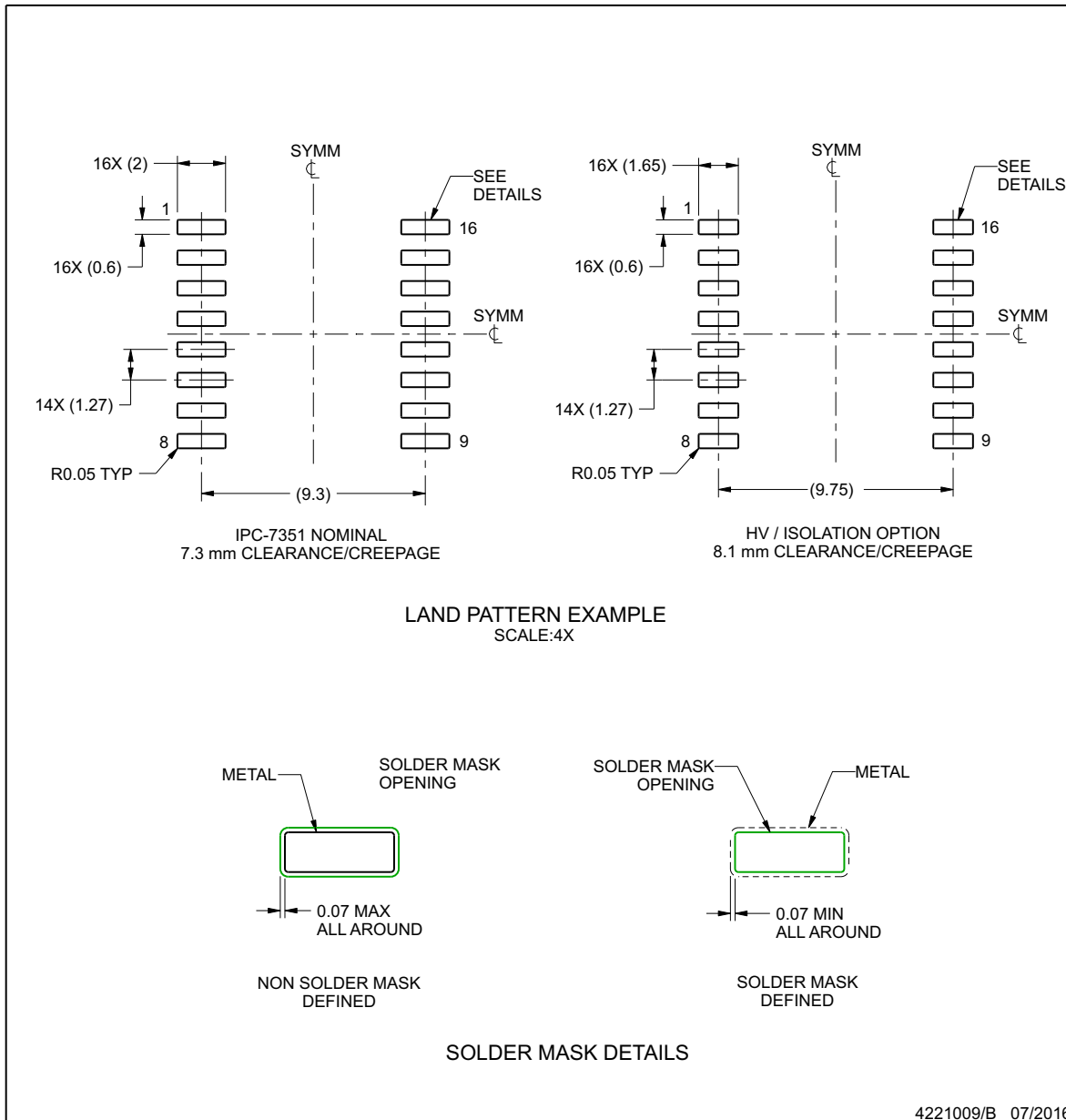
- All linear dimensions are in millimeters. Dimensions in parenthesis are for reference only. Dimensioning and tolerancing per ASME Y14.5M.
- This drawing is subject to change without notice.
- This dimension does not include mold flash, protrusions, or gate burrs. Mold flash, protrusions, or gate burrs shall not exceed 0.15 mm, per side.
- This dimension does not include interlead flash. Interlead flash shall not exceed 0.25 mm, per side.
- Reference JEDEC registration MS-013.

EXAMPLE BOARD LAYOUT

DW0016B

SOIC - 2.65 mm max height

SOIC



NOTES: (continued)

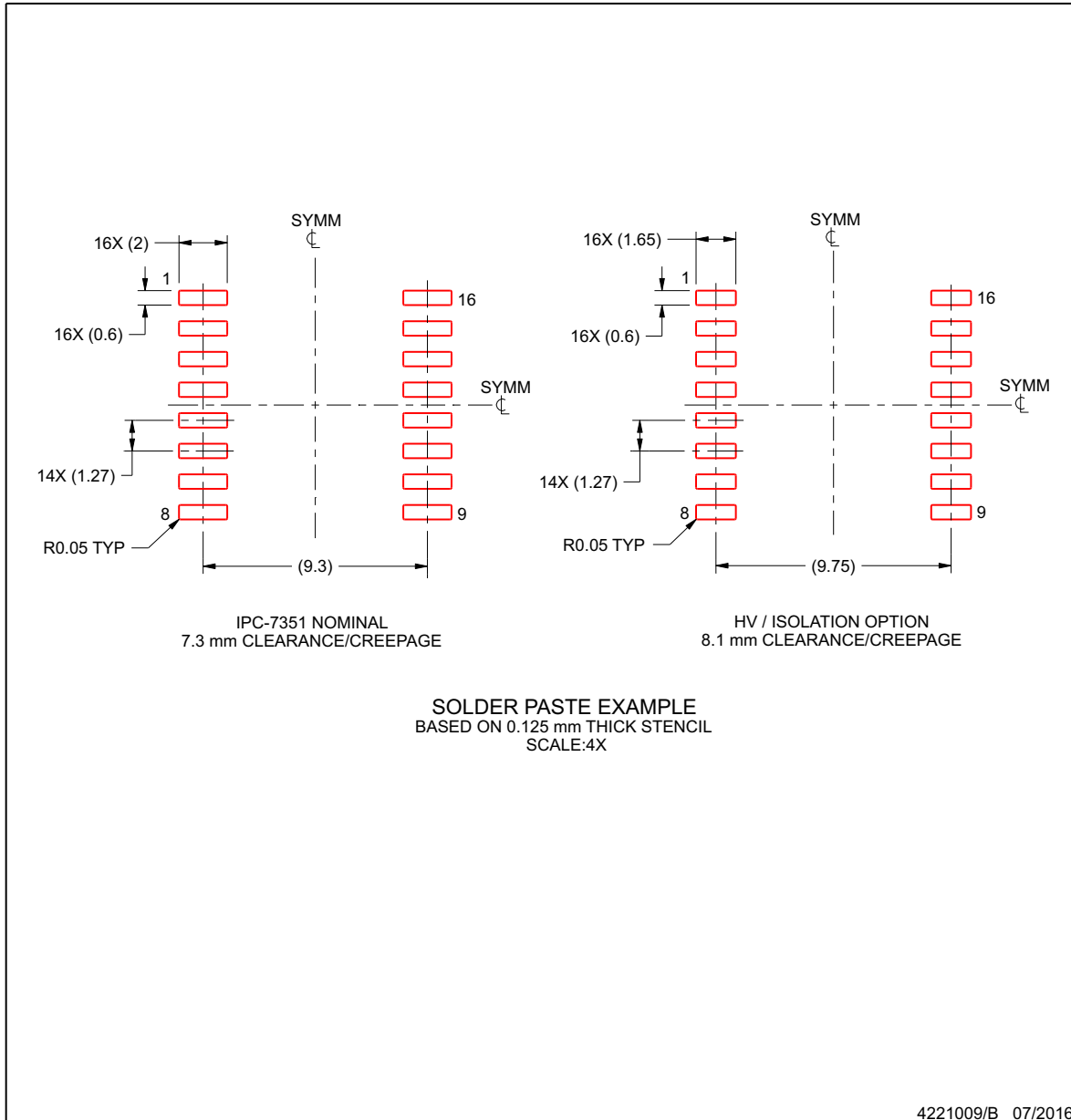
6. Publication IPC-7351 may have alternate designs.

7. Solder mask tolerances between and around signal pads can vary based on board fabrication site.

EXAMPLE STENCIL DESIGN

DW0016B
SOIC - 2.65 mm max height

SOIC



NOTES: (continued)

8. Laser cutting apertures with trapezoidal walls and rounded corners may offer better paste release. IPC-7525 may have alternate design recommendations.
9. Board assembly site may have different recommendations for stencil design.

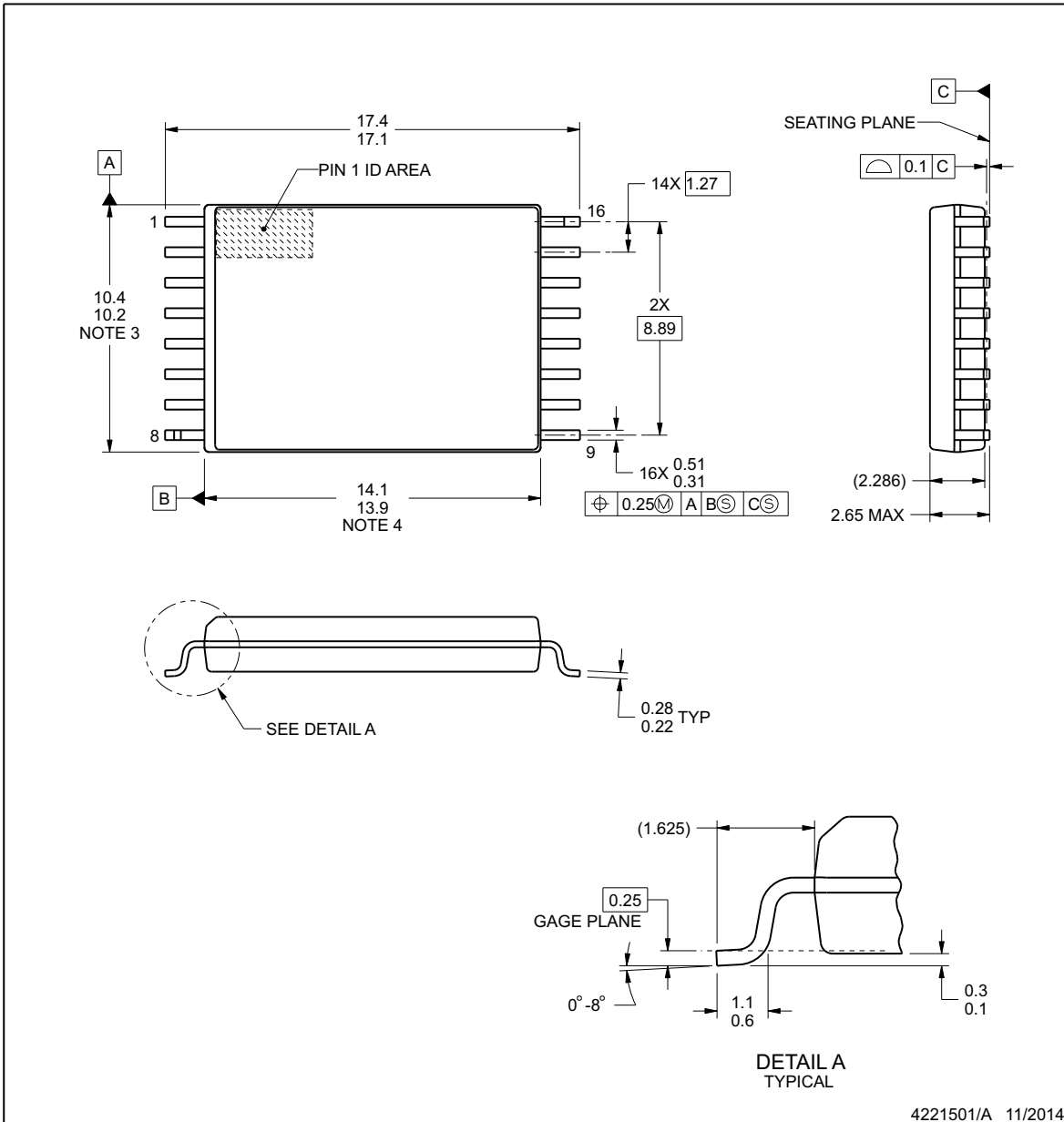


DWW0016A

PACKAGE OUTLINE

SOIC - 2.65 mm max height

PLASTIC SMALL OUTLINE



4221501/A 11/2014

NOTES:

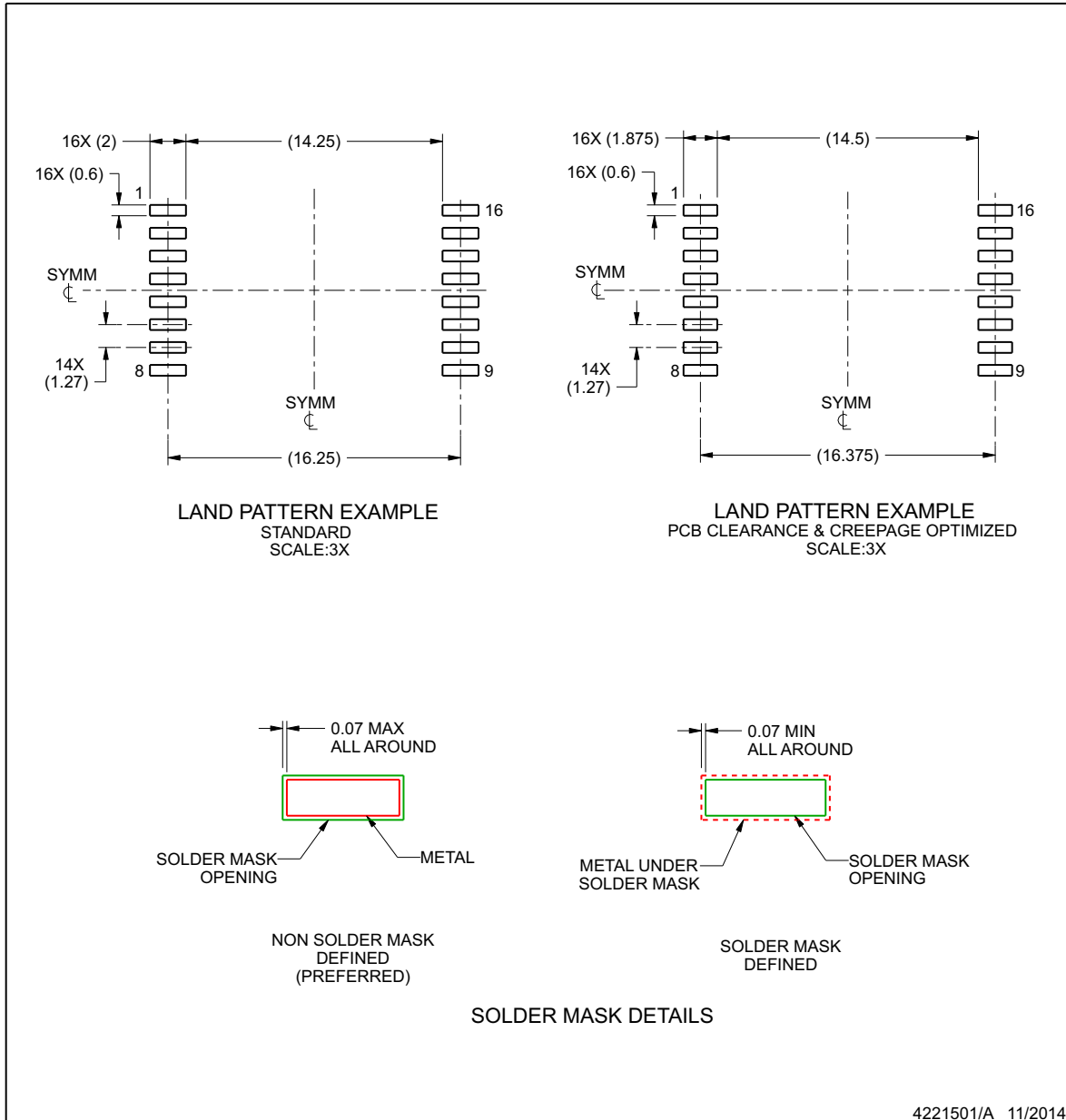
1. All linear dimensions are in millimeters. Any dimensions in parenthesis are for reference only. Dimensioning and tolerancing per ASME Y14.5M.
2. This drawing is subject to change without notice.
3. This dimension does not include mold flash, protrusions, or gate burrs. Mold flash, protrusions, or gate burrs shall not exceed 0.15 mm per side.
4. This dimension does not include interlead flash.

EXAMPLE BOARD LAYOUT

DWW0016A

SOIC - 2.65 mm max height

PLASTIC SMALL OUTLINE



NOTES: (continued)

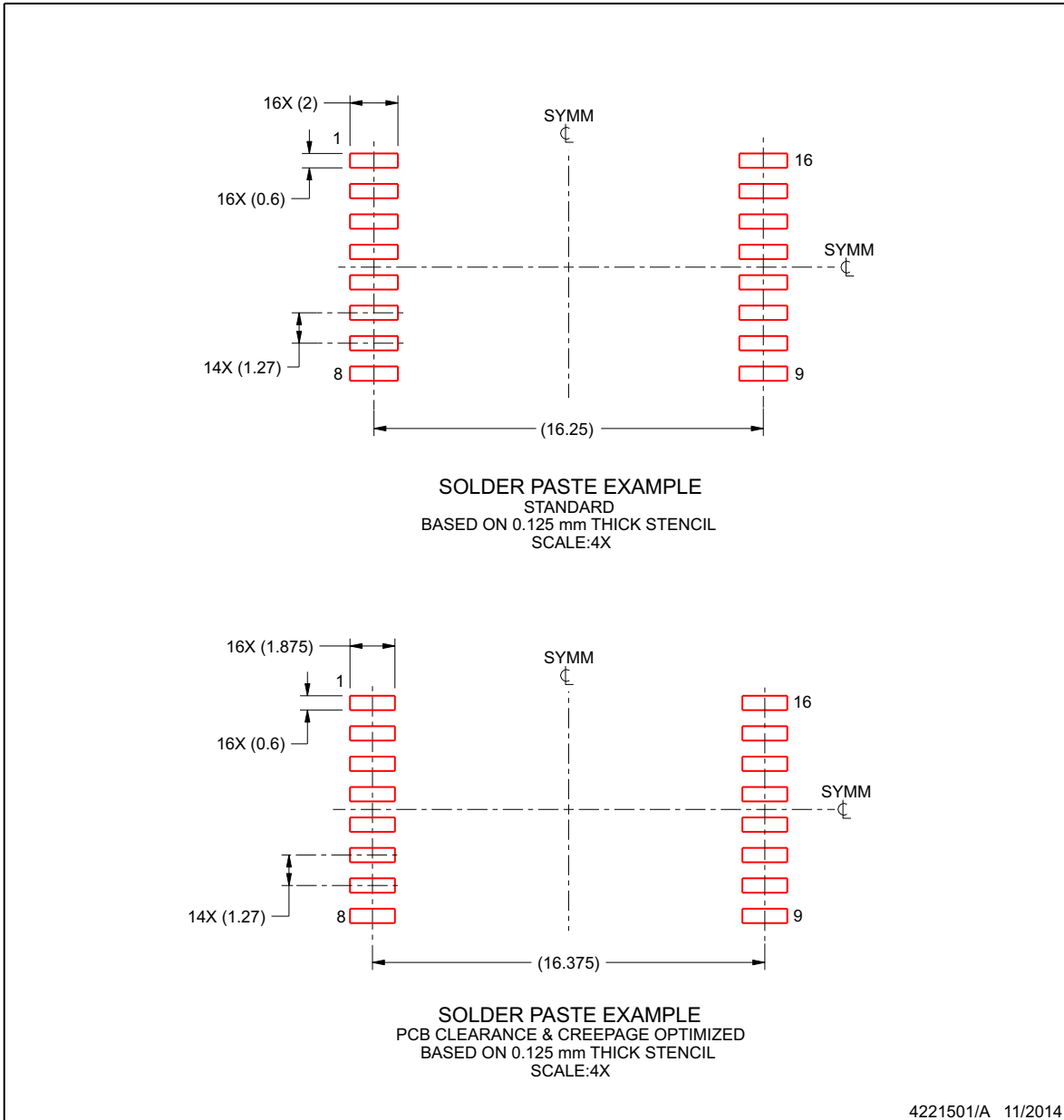
- 5. Publication IPC-7351 may have alternate designs.
- 6. Solder mask tolerances between and around signal pads can vary based on board fabrication site.

EXAMPLE STENCIL DESIGN

DWW0016A

SOIC - 2.65 mm max height

PLASTIC SMALL OUTLINE



NOTES: (continued)

- 7. Laser cutting apertures with trapezoidal walls and rounded corners may offer better paste release. IPC-7525 may have alternate design recommendations.
- 8. Board assembly site may have different recommendations for stencil design.

PACKAGING INFORMATION

Orderable Device	Status (1)	Package Type	Package Drawing	Pins	Package Qty	Eco Plan (2)	Lead finish/ Ball material (6)	MSL Peak Temp (3)	Op Temp (°C)	Device Marking (4/5)	Samples
ISO7842DW	ACTIVE	SOIC	DW	16	40	RoHS & Green	NIPDAU	Level-2-260C-1 YEAR	-55 to 125	ISO7842	Samples
ISO7842DWR	ACTIVE	SOIC	DW	16	2000	RoHS & Green	NIPDAU	Level-2-260C-1 YEAR	-55 to 125	ISO7842	Samples
ISO7842DWW	ACTIVE	SOIC	DWW	16	45	RoHS & Green	NIPDAU	Level-2-260C-1 YEAR	-55 to 125	ISO7842	Samples
ISO7842DWWR	ACTIVE	SOIC	DWW	16	1000	RoHS & Green	NIPDAU	Level-2-260C-1 YEAR	-55 to 125	ISO7842	Samples
ISO7842FDW	ACTIVE	SOIC	DW	16	40	RoHS & Green	NIPDAU	Level-2-260C-1 YEAR	-55 to 125	ISO7842F	Samples
ISO7842FDWR	ACTIVE	SOIC	DW	16	2000	RoHS & Green	NIPDAU	Level-2-260C-1 YEAR	-55 to 125	ISO7842F	Samples
ISO7842FDWW	ACTIVE	SOIC	DWW	16	45	RoHS & Green	NIPDAU	Level-2-260C-1 YEAR	-55 to 125	ISO7842F	Samples
ISO7842FDWWR	ACTIVE	SOIC	DWW	16	1000	RoHS & Green	NIPDAU	Level-2-260C-1 YEAR	-55 to 125	ISO7842F	Samples

(1) The marketing status values are defined as follows:

ACTIVE: Product device recommended for new designs.

LIFEBUY: TI has announced that the device will be discontinued, and a lifetime-buy period is in effect.

NRND: Not recommended for new designs. Device is in production to support existing customers, but TI does not recommend using this part in a new design.

PREVIEW: Device has been announced but is not in production. Samples may or may not be available.

OBSELETE: TI has discontinued the production of the device.

(2) **RoHS:** TI defines "RoHS" to mean semiconductor products that are compliant with the current EU RoHS requirements for all 10 RoHS substances, including the requirement that RoHS substance do not exceed 0.1% by weight in homogeneous materials. Where designed to be soldered at high temperatures, "RoHS" products are suitable for use in specified lead-free processes. TI may reference these types of products as "Pb-Free".

RoHS Exempt: TI defines "RoHS Exempt" to mean products that contain lead but are compliant with EU RoHS pursuant to a specific EU RoHS exemption.

Green: TI defines "Green" to mean the content of Chlorine (Cl) and Bromine (Br) based flame retardants meet JS709B low halogen requirements of <=1000ppm threshold. Antimony trioxide based flame retardants must also meet the <=1000ppm threshold requirement.

(3) MSL, Peak Temp. - The Moisture Sensitivity Level rating according to the JEDEC industry standard classifications, and peak solder temperature.

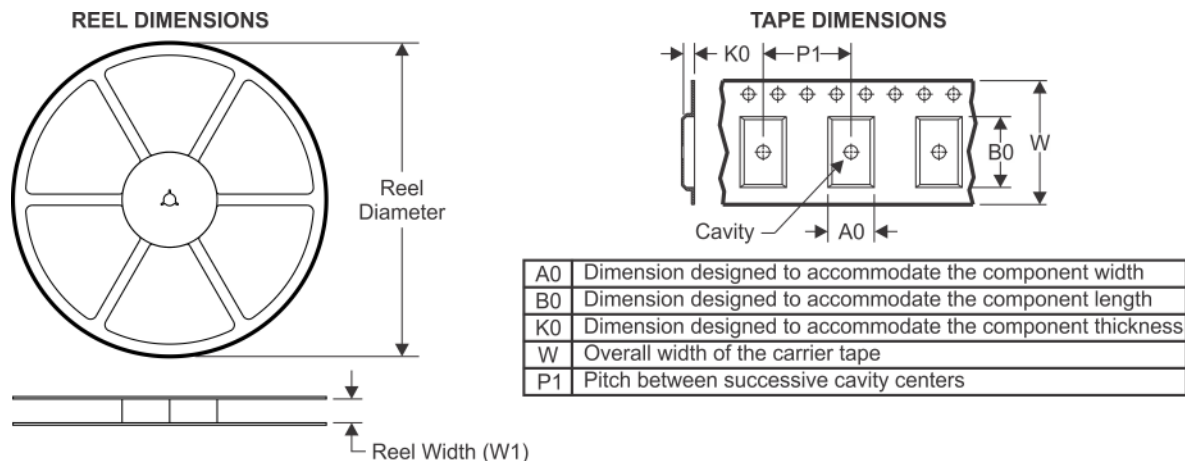
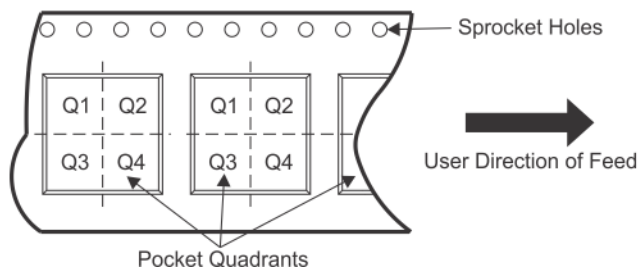
(4) There may be additional marking, which relates to the logo, the lot trace code information, or the environmental category on the device.

(5) Multiple Device Markings will be inside parentheses. Only one Device Marking contained in parentheses and separated by a "~" will appear on a device. If a line is indented then it is a continuation of the previous line and the two combined represent the entire Device Marking for that device.

⁽⁶⁾ Lead finish/Ball material - Orderable Devices may have multiple material finish options. Finish options are separated by a vertical ruled line. Lead finish/Ball material values may wrap to two lines if the finish value exceeds the maximum column width.

Important Information and Disclaimer: The information provided on this page represents TI's knowledge and belief as of the date that it is provided. TI bases its knowledge and belief on information provided by third parties, and makes no representation or warranty as to the accuracy of such information. Efforts are underway to better integrate information from third parties. TI has taken and continues to take reasonable steps to provide representative and accurate information but may not have conducted destructive testing or chemical analysis on incoming materials and chemicals. TI and TI suppliers consider certain information to be proprietary, and thus CAS numbers and other limited information may not be available for release.

In no event shall TI's liability arising out of such information exceed the total purchase price of the TI part(s) at issue in this document sold by TI to Customer on an annual basis.

TAPE AND REEL INFORMATION

QUADRANT ASSIGNMENTS FOR PIN 1 ORIENTATION IN TAPE


*All dimensions are nominal

Device	Package Type	Package Drawing	Pins	SPQ	Reel Diameter (mm)	Reel Width W1 (mm)	A0 (mm)	B0 (mm)	K0 (mm)	P1 (mm)	W (mm)	Pin1 Quadrant
ISO7842DWR	SOIC	DW	16	2000	330.0	16.4	10.75	10.7	2.7	12.0	16.0	Q1
ISO7842DWWR	SOIC	DWW	16	1000	330.0	24.4	18.0	10.0	3.0	20.0	24.0	Q1
ISO7842FDWR	SOIC	DW	16	2000	330.0	16.4	10.75	10.7	2.7	12.0	16.0	Q1
ISO7842FDWWR	SOIC	DWW	16	1000	330.0	24.4	18.0	10.0	3.0	20.0	24.0	Q1

TAPE AND REEL BOX DIMENSIONS


*All dimensions are nominal

Device	Package Type	Package Drawing	Pins	SPQ	Length (mm)	Width (mm)	Height (mm)
ISO7842DWR	SOIC	DW	16	2000	350.0	350.0	43.0
ISO7842DWWR	SOIC	DWW	16	1000	350.0	350.0	43.0
ISO7842FDWR	SOIC	DW	16	2000	350.0	350.0	43.0
ISO7842FDWWR	SOIC	DWW	16	1000	350.0	350.0	43.0

TUBE


*All dimensions are nominal

Device	Package Name	Package Type	Pins	SPQ	L (mm)	W (mm)	T (μm)	B (mm)
ISO7842DW	DW	SOIC	16	40	506.98	12.7	4826	6.6
ISO7842DWW	DWW	SOIC	16	45	507	20	5000	9
ISO7842FDW	DW	SOIC	16	40	506.98	12.7	4826	6.6
ISO7842FDWW	DWW	SOIC	16	45	507	20	5000	9

IMPORTANT NOTICE AND DISCLAIMER

TI PROVIDES TECHNICAL AND RELIABILITY DATA (INCLUDING DATA SHEETS), DESIGN RESOURCES (INCLUDING REFERENCE DESIGNS), APPLICATION OR OTHER DESIGN ADVICE, WEB TOOLS, SAFETY INFORMATION, AND OTHER RESOURCES "AS IS" AND WITH ALL FAULTS, AND DISCLAIMS ALL WARRANTIES, EXPRESS AND IMPLIED, INCLUDING WITHOUT LIMITATION ANY IMPLIED WARRANTIES OF MERCHANTABILITY, FITNESS FOR A PARTICULAR PURPOSE OR NON-INFRINGEMENT OF THIRD PARTY INTELLECTUAL PROPERTY RIGHTS.

These resources are intended for skilled developers designing with TI products. You are solely responsible for (1) selecting the appropriate TI products for your application, (2) designing, validating and testing your application, and (3) ensuring your application meets applicable standards, and any other safety, security, regulatory or other requirements.

These resources are subject to change without notice. TI grants you permission to use these resources only for development of an application that uses the TI products described in the resource. Other reproduction and display of these resources is prohibited. No license is granted to any other TI intellectual property right or to any third party intellectual property right. TI disclaims responsibility for, and you will fully indemnify TI and its representatives against, any claims, damages, costs, losses, and liabilities arising out of your use of these resources.

TI's products are provided subject to [TI's Terms of Sale](#) or other applicable terms available either on ti.com or provided in conjunction with such TI products. TI's provision of these resources does not expand or otherwise alter TI's applicable warranties or warranty disclaimers for TI products.

TI objects to and rejects any additional or different terms you may have proposed.

Mailing Address: Texas Instruments, Post Office Box 655303, Dallas, Texas 75265
Copyright © 2022, Texas Instruments Incorporated