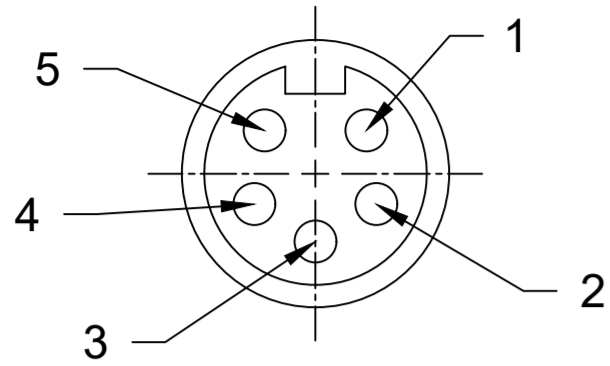


FACE VIEW-FEMALE INSERT



- 1 DRAIN
- 2 RED
- 3 BLACK
- 4 WHITE
- 5 BLUE

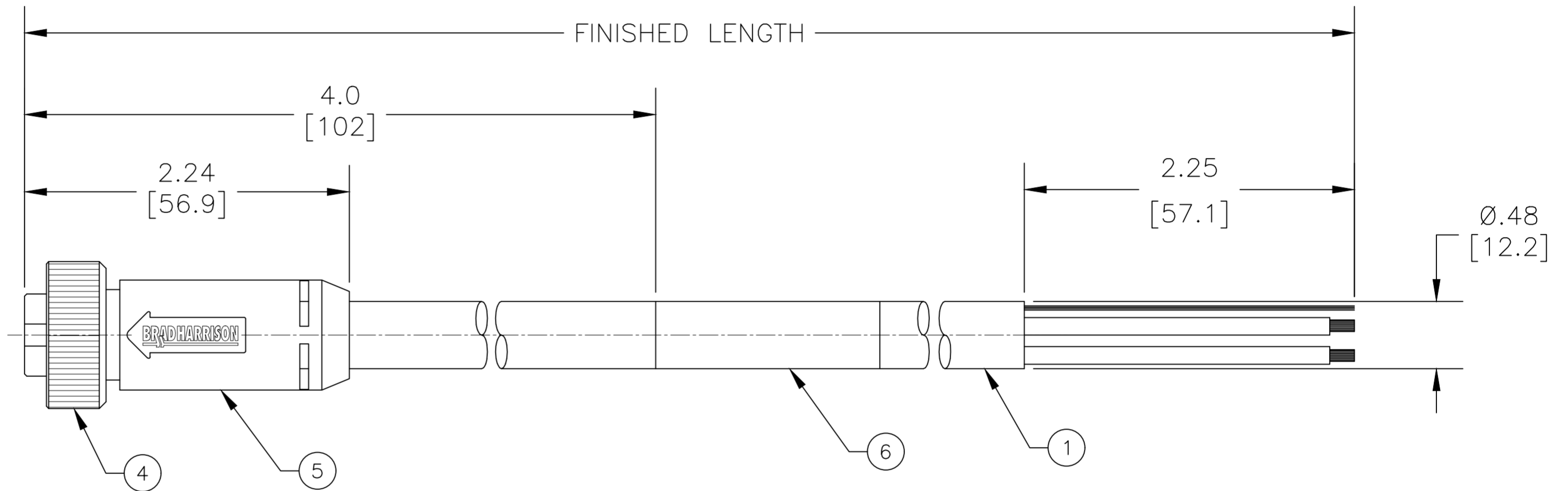
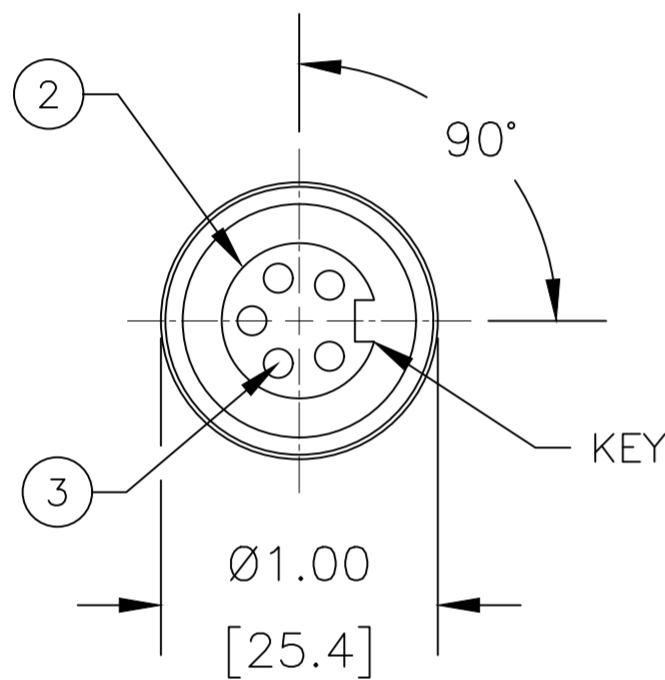
PART NUMBER LEGEND

DN10SS8-M010

FINISHED LENGTH:
 M005= 0.5 METER
 M010= 1.0 METER
 M100= 10.0 METERS

CABLE LENGTH TOLERANCES

>.3M [1FT]:	+19mm-0 [+0.75in-0]
.3 - .9M [1 - 3FT]:	+44.5mm-0 [+1.75in-0]
.9 - 1.8M [3 - 6FT]:	+55.6mm-0 [+2.19in-0]
1.8 - 3.7M [6 - 12FT]:	+88.9mm-0 [+3.50in-0]
3.7 - 7.3M [12 - 24FT]:	+165.1mm-0 [+6.50in-0]
7.3-14.6M [24 - 48FT]:	+317.5mm-0 [+12.50in-0]
14.6 - 30.5M [48-100FT]:	+622.3mm-0 [+24.50in-0]
OVER 30M [100FT]:	+2% OF FINISHED LENGTH



- NOTES:
- MATERIAL: AS NOTED
 - FINISH: AS NOTED
 - ELECTRICAL:
 VOLTAGE: 300V PER IEC 60664
 300V PER UL 2238
 CURRENT: 8A
 - TEMP RATING: -20°C TO +60°C
 - PROTECTION: IP67 (WHEN MATED)
 - COUPLING THREAD: 7/8-16 UN
 - UL RECOGNIZED FILE: E152210
 CSA CERTIFIED FILE: LR6837
 - ALL DIMS ARE FOR REFERENCE UNLESS TOLERANCED OR NOTED OTHERWISE

PART NO.	ENGINEERING NO.	FINISHED LENGTH
1300240111	DN10SS8-M010	1.0M [3 FT 3.4 IN]
1300240113	DN10SS8-M040	4.0M [13 FT 1.4 IN]
1300240116	DN10SS8-M100	10.0M [32 FT 10.0 IN]

ITEM	DESCRIPTION	MATERIAL	FINISH
6	WRAP LABEL	VINYL	BLACK/YELLOW
5	OVERMOLD	TPE	GRAY
4	COUPLING NUT, INT. THD	ST. STEEL	PASSIVATED
3	CONTACT SOCKET	COPPER ALLOY	GOLD PLATED
2	FEMALE INSERT	TPE	GRAY
1	CABLE, 18/2 15/2 DEV-NET	PVC JACKET	GRAY

FUNCTIONAL SYMBOLS FA=0 EC=0 EP=0 DIVISIONAL SYMBOLS	THIS DRAWING CONTAINS INFORMATION THAT IS PROPRIETARY TO MOLEX ELECTRONIC TECHNOLOGIES, LLC AND SHOULD NOT BE USED WITHOUT WRITTEN PERMISSION		CURRENT REV DESC: INITIAL RELEASE	
	DIMENSION UNITS	SCALE	EC NO: 638980	
	INCH/MM	1:1	DRWN: RSTONE	2020/06/03
	GENERAL TOLERANCES (UNLESS SPECIFIED)		CHK'D: CCHRSTKA	2020/06/04
4 PLACES ±----		mm	INCH	APPR: BWOODMAN
3 PLACES ±----		±----	±----	2020/06/04
2 PLACES ±----		±----	±----	INITIAL REVISION:
1 PLACE ±----		±----	±----	DRWN: RSTONE
0 PLACES ±----		±----	±----	2020/06/03
ANGULAR TOL ± ---- °		APPR: BWOODMAN		
DRAFT WHERE APPLICABLE MUST REMAIN WITHIN DIMENSIONS		THIRD ANGLE PROJECTION	DRAWING	SERIES
			C-SIZE	130024
DOCUMENT STATUS		P1	RELEASE DATE	2020/06/04 22:07:44
DOCUMENT NUMBER		CUSTOMER		SHEET NUMBER
1300240112		GENERAL MARKET		1 OF 1

molex

MINI-CHANGE CABLE ASSEMBLY
 A-SIZE FEMALE, STRAIGHT, DEV-NET, TRUNK

PRODUCT CUSTOMER DRAWING

DOCUMENT NUMBER: 1300240112
 DOC TYPE/DOC PART/REVISION: PSD 000 A