
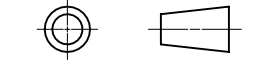


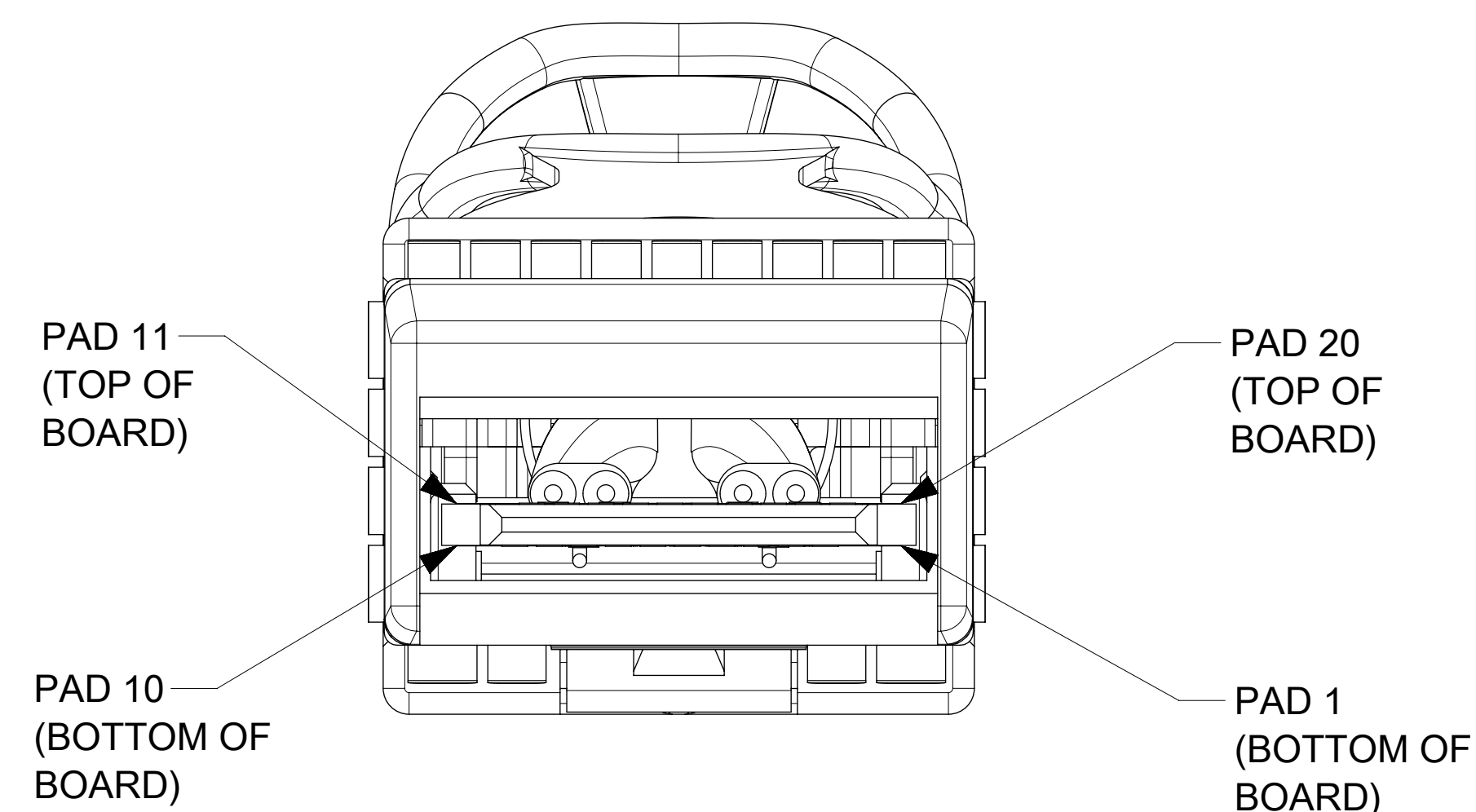
- NOTES:**
- MATERIALS**
 BACKSHELLS- NICKEL PLATED ZINC
 DE-LATCH - PLASTIC
 PCB - FR-4
 RIVETS - STAINLESS STEEL
 - IMPEDANCE - 100 OHMS DIFFERENTIAL, PASSIVE**
 - PULL TO RELEASE, PLUNGER STYLE LATCH**
 - EACH ASSEMBLY HAS A SERIAL ID**
 - 11.09 Gbps BACKWARDS COMPATIBLE TO 1.0625 Gbps**
 - RoHS COMPLIANT, NO EXEMPTIONS**


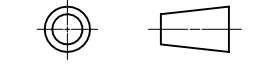
THIS DRAWING CONTAINS INFORMATION THAT IS PROPRIETARY TO MOLEX ELECTRONIC TECHNOLOGIES, LLC AND SHOULD NOT BE USED WITHOUT WRITTEN PERMISSION										
DIMENSION UNITS	SCALE	CURRENT REV DESC: OBSOLETE PART NUMBER								
mm	2:1	 SFP+ TO SFP+ 10G PASSIVE CABLE ASSEMBLY PRODUCT CUSTOMER DRAWING								
GENERAL TOLERANCES (UNLESS SPECIFIED)										
ANGULAR TOL	± 2.0°									
4 PLACES	±									
3 PLACES	±									
2 PLACES	± 0.13									
1 PLACE	± 0.25	EC NO: 644856	2020/07/17		DOCUMENT NUMBER			DOC TYPE	DOC PART	REVISION
0 PLACES	±	DRWN: VLOKESHA	2020/10/07		747520001			PSD	000	V2
DRAFT WHERE APPLICABLE MUST REMAIN WITHIN DIMENSIONS		APPR: GGA	2020/10/07		INITIAL REVISION:			CUSTOMER		
		DRWN: DRAMIREZ02	2016/11/17		74752			GENERAL MARKET		
		APPR: ARAYBURN	2016/11/22		SEE PN TABLE			SHEET NUMBER		
		THIRD ANGLE PROJECTION		DRAWING	SERIES	MATERIAL NUMBER		CUSTOMER		SHEET NUMBER
				D-SIZE	74752	747520001		GENERAL MARKET		1 OF 3

WIRING DIAGRAM				
P1 END			P2 END	
PAD	SIGNAL		PAD	SIGNAL
12	RD-	<-----	19	TD-
13	RD+	<-----	18	TD+
18	TD+	----->	13	RD+
19	TD-	----->	12	RD-

LOW SPEED SIGNALS	
SFP+	
PAD	SIGNAL
02	Tx_Fault
03	Tx_Disable
04	SDA
05	SCL
06	Mod_ABS
07	RS0
08	Rx_LOS
09	RS1
15	VccR
16	VccT

CUSTOM LENGTHS AVAILABLE.
 LONGER LENGTH APPLICATIONS REQUIRE
 HOST SYSTEM PRE-EMPHASIS AND
 EQUALIZATION.
 SEE DATASHEET FOR MORE INFORMATION.



THIS DRAWING CONTAINS INFORMATION THAT IS PROPRIETARY TO MOLEX ELECTRONIC TECHNOLOGIES, LLC AND SHOULD NOT BE USED WITHOUT WRITTEN PERMISSION									
DIMENSION UNITS		SCALE		CURRENT REV DESC: OBSOLETE PART NUMBER					
mm		7:1		 SFP+ TO SFP+ 10G PASSIVE CABLE ASSEMBLY PRODUCT CUSTOMER DRAWING					
GENERAL TOLERANCES (UNLESS SPECIFIED)									
ANGULAR TOL ± 2.0°									
4 PLACES ±		EC NO: 644856							
3 PLACES ±		DRWN: VLOKESHA 2020/07/17							
2 PLACES ± 0.13		CHK'D: GGA 2020/10/07							
1 PLACE ± 0.25		APPR: GGA 2020/10/07							
0 PLACES ±		INITIAL REVISION:		DOCUMENT NUMBER					
DRAFT WHERE APPLICABLE		THIRD ANGLE PROJECTION		DRAWING		SERIES		CUSTOMER	
MUST REMAIN WITHIN DIMENSIONS				D-SIZE		74752		GENERAL MARKET	
				SEE PN TABLE		GENERAL MARKET		SHEET NUMBER	
								2 OF 3	

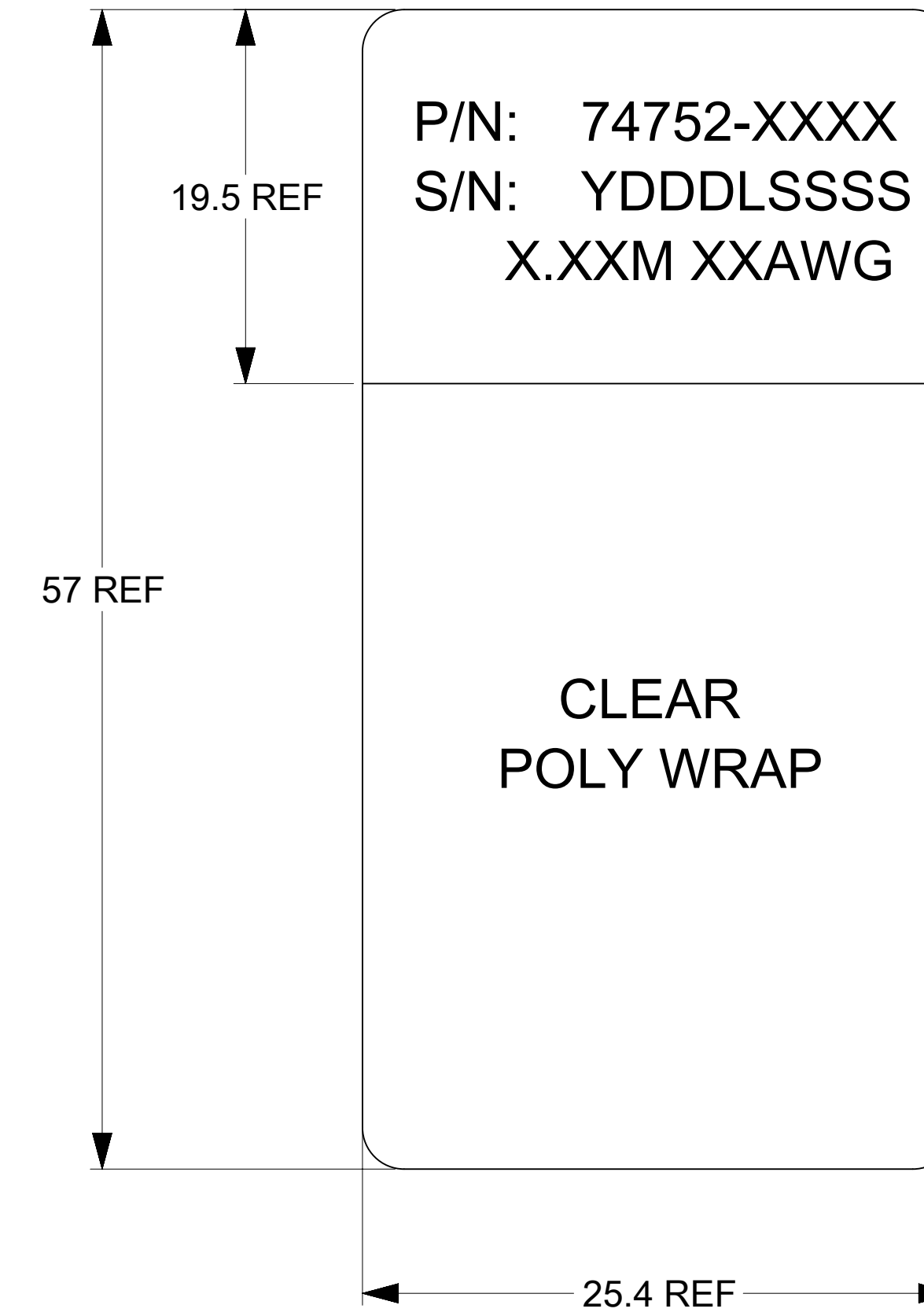
PART NUMBER TABLE

PART NUMBER	LENGTH	TOL.	AWG
747521031	0.30M	± 0.03M	30
747521051	0.50M	± 0.05M	30
747521101	1.0M	± 0.05M	30
747521701	7.0M	± 0.08M	30
747521801	8.0M	± 0.08M	30
747521901	9.0M	± 0.08M	30
747529001	10.0M	± 0.08M	30
747522101	1.0M	± 0.05M	28
747522301	3.0M	± 0.05M	28
747522501	5.0M	± 0.08M	28
747522901	9.0M	± 0.08M	28
747529002	10.0M	± 0.08M	28
747529010	15.0M	± 0.08M	28

PART NUMBER	LENGTH	TOL.	AWG
747523061	0.60M	± 0.03M	26
747523201	2.0M	± 0.05M	26
747523901	9.0M	± 0.08M	26
747529003	10.0M	± 0.08M	26
747529225	1.6M	± 0.05M	26
747529226	1.75M	± 0.05M	26
747529227	2.25M	± 0.05M	26
747524501	5.0M	± 0.08M	24
747529013	11.0M	± 0.08M	24
747529015	13.0M	± 0.08M	24
747529016	14.0M	± 0.08M	24

*1M AND SHORTER LENGTH CABLES ARE NOT FULLY COMPLIANCE WITH SFF-8431 FOR SCC11.

CABLE LABEL DETAIL



YDDDLSSSS
 Y---YEAR, THE LAST DIGIT OF THE YEAR
 DDD---DAY OF THE YEAR
 L---LOCATION (1=US, 2=MEXICO, 3=CHINA, 4=PHILIPPINES)
 SSSS---SERIAL NUMBER (0001-9999)

X.XXM---LENGTH AS SHOWN IN P/N TABLE

XXAWG---AWG SIZE

THIS DRAWING CONTAINS INFORMATION THAT IS PROPRIETARY TO MOLEX ELECTRONIC TECHNOLOGIES, LLC AND SHOULD NOT BE USED WITHOUT WRITTEN PERMISSION											
DIMENSION UNITS mm		SCALE 1:1		CURRENT REV DESC: OBSOLETE PART NUMBER						molex	
GENERAL TOLERANCES (UNLESS SPECIFIED)				EC NO: 644856							
ANGULAR TOL ± 2.0°				4 PLACES ±		DRWN: VLOKESHA		2020/07/17		SFP+ TO SFP+ 10G PASSIVE CABLE ASSEMBLY	
3 PLACES ±				CHK'D: GGA		2020/10/07					
2 PLACES ± 0.13				APPR: GGA		2020/10/07		PRODUCT CUSTOMER DRAWING			
1 PLACE ± 0.25				INITIAL REVISION:		DRWN: DRAMIREZ02		2016/11/17		DOCUMENT NUMBER	
0 PLACES ±				APPR: ARAYBURN		2016/11/22		747520001		DOC TYPE DOC PART REVISION	
DRAFT WHERE APPLICABLE MUST REMAIN WITHIN DIMENSIONS				THIRD ANGLE PROJECTION		DRAWING		SERIES		MATERIAL NUMBER CUSTOMER SHEET NUMBER	
						D-SIZE		74752		SEE PN TABLE GENERAL MARKET 3 OF 3	