

LOC	DIST	REVISIONS					
A	66	P	LTR	DESCRIPTION	DATE	DWN	APVD
			AL2	REVISED PER ECO-11-005150	21MAR11	RK	HMR


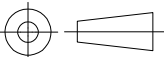
SEE PRODUCTION DRAWING  
567200

RELEASED FOR PUBLICATION

ALL RIGHTS RESERVED.

THIS DRAWING IS UNPUBLISHED.

© COPYRIGHT - By -

DIMENSIONS: INCHES	DWN	02FEB2010	MATERIAL	-	FINISH	-
	CHK	-	 TE Connectivity			
TOLERANCES UNLESS OTHERWISE SPECIFIED:	APVD	-				
0 PLC ± - 1 PLC ± - 2 PLC ± - 3 PLC ± - 4 PLC ± - ANGLES ± -	PRODUCT SPEC	-	NAME			
	APPLICATION SPEC	-	MINIATURE QUICK CHANGE APPLICATOR END FEED			
	WEIGHT	-	SIZE	CAGE CODE	DRAWING NO	RESTRICTED TO
	CUSTOMER DRAWING		A4	00779	C-567200	-
			SCALE	1:1	SHEET	1 OF 1
					REV	AL2