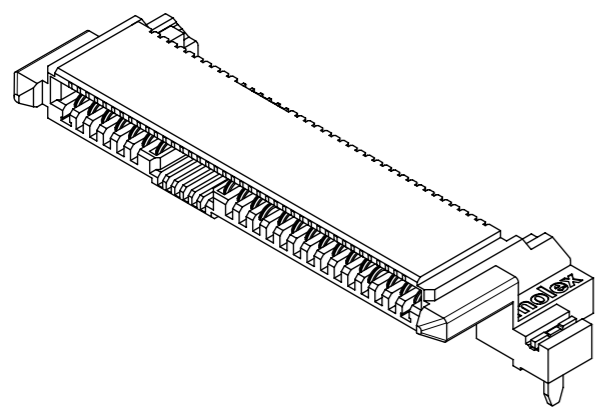
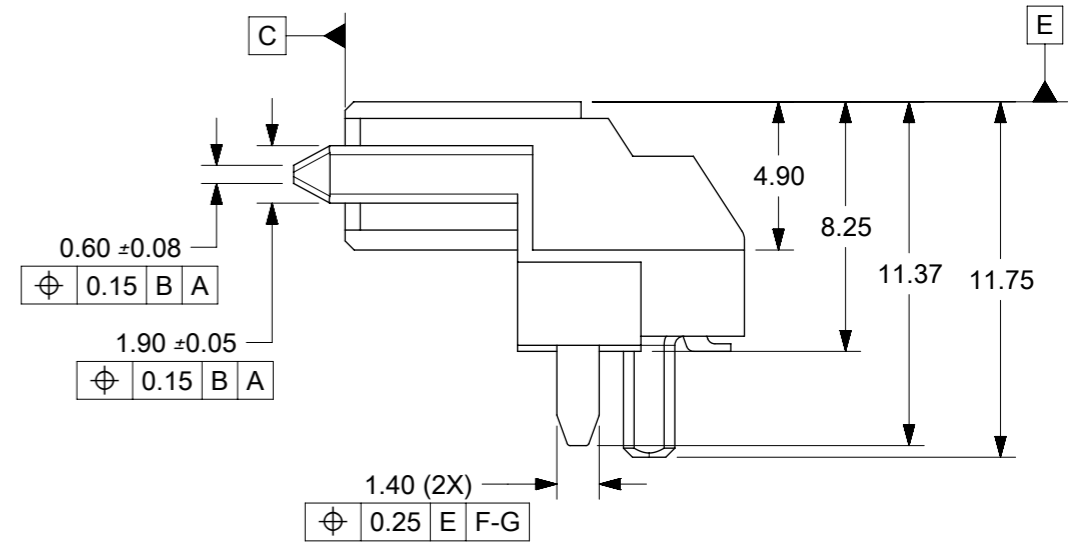
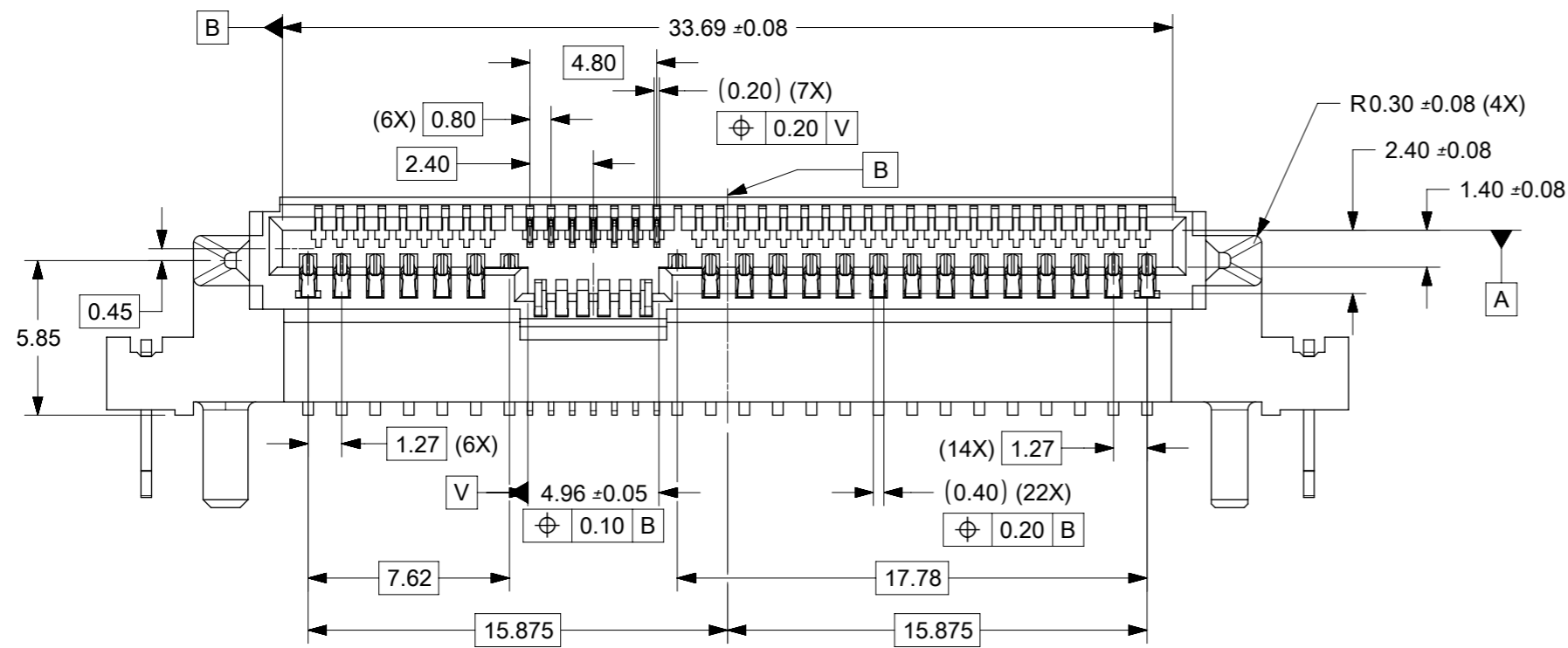


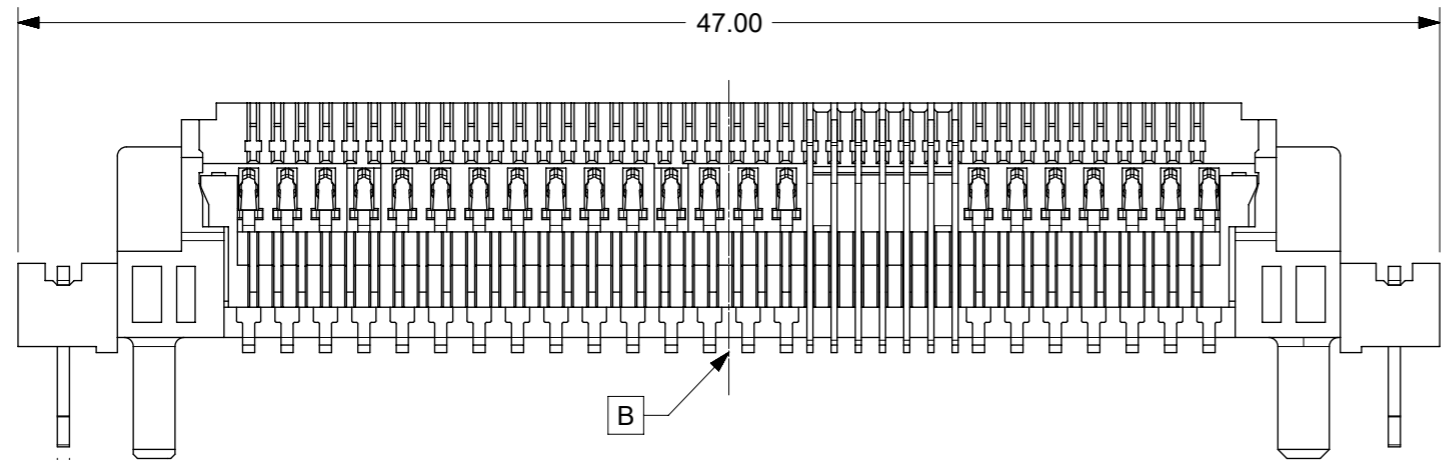
- NOTES:
- MATERIAL: LCP, GLASS FILLED, UL 94V-0, BLACK
TERMINAL: COPPER ALLOY
BLADE: BRONZE
 - PLATING:
TERMINAL:
CONTACT: 0.76µm MIN. GOLD OVER 1.27µm MIN.
NICKEL UNDERPLATE
SOLDERTAIL: 2.54µm MIN. TIN OVER 1.27µm MIN. NICKEL UNDERPLATE
BLADE: 2.54µm MIN. TIN OVER 1.27µm MIN. NICKEL UNDERPLATE
 - MOLEX LOGO LOCATED APPROXIMATELY AS SHOWN.
 - NON FUNCTIONAL CORE HOLES MAY VARY.
 - THIS PRODUCT IS COMPLIANT TO RoHS DIRECTIVE WITH THE FOLLOWING BANNED SUBSTANCES - LEAD, MERCURY, CADMIUM, HEXAVALENT CHROMIUM, POLY BROMINATED BIPHENYLS AND POLY BROMINATED DIPHENYL ETHERS.
 - PRODUCT SPECIFICATION PS-78847-001.
 - PRODUCT PACKAGING SPECIFICATION PK-78844-001.
 - MATES WITH SFF-8639 PLUG, SFF-8482 PLUG AND SFF-8680 PLUG.
 - COMPONENT CAVITY NUMBER (NUMERIC VALUE)
 - CONNECTOR COMES WITH A CAP TO BE REMOVED AFTER SOLDERING.
SEE SHEET 3 FOR THE OVERALL OUTLINE OF THE CONNECTOR WITH ITS CAP



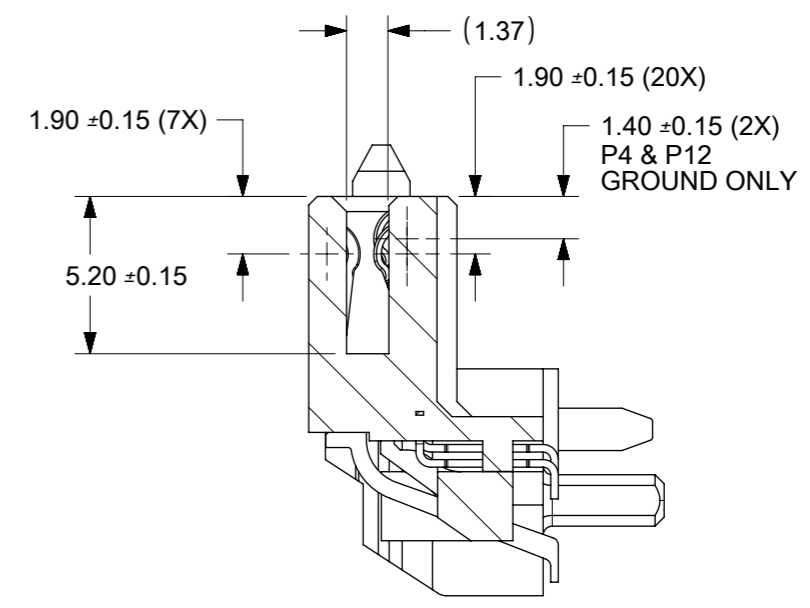
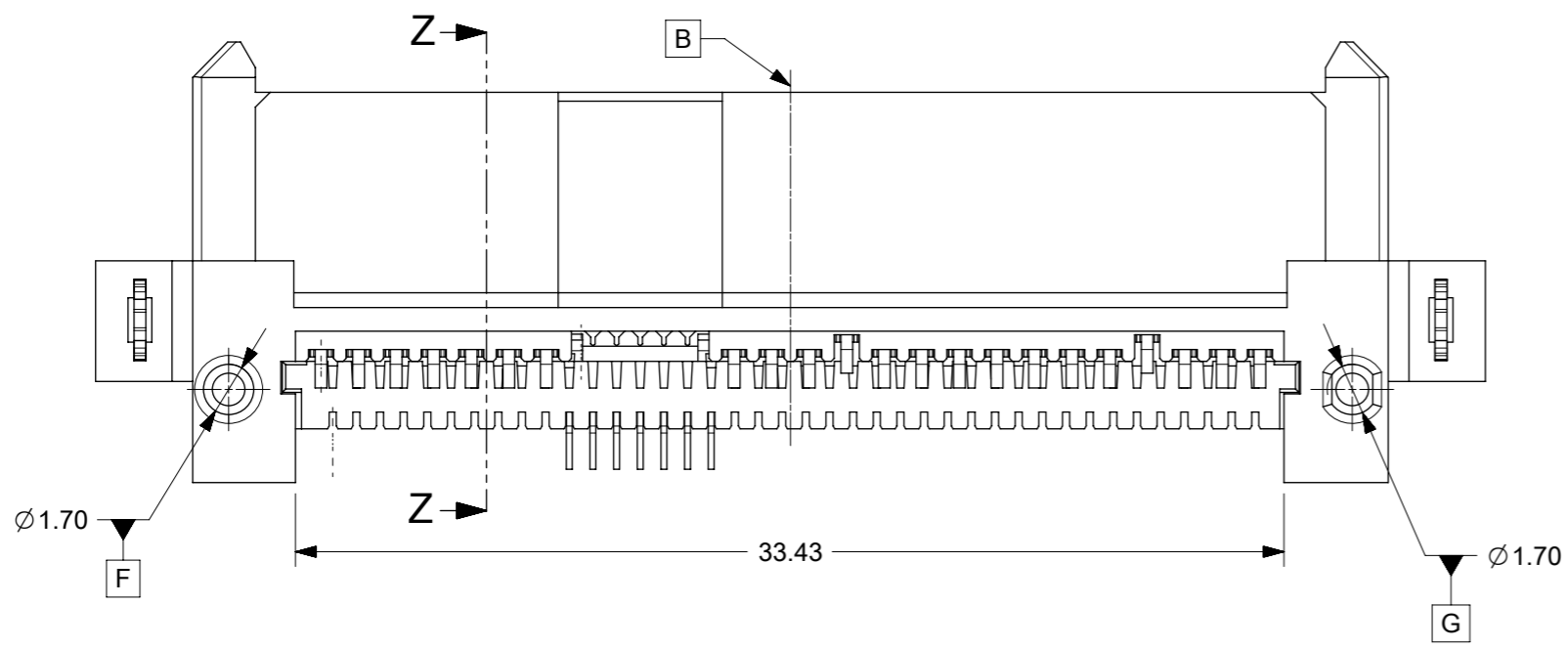
THIS DRAWING CONTAINS INFORMATION THAT IS PROPRIETARY TO MOLEX ELECTRONIC TECHNOLOGIES, LLC AND SHOULD NOT BE USED WITHOUT WRITTEN PERMISSION

ALIGNER IMPROVEMNT EC NO: 119788 DRWN: KUCHILA CHK'D: CCTEH APPR: SHLENI	2016/09/28	GENERAL TOLERANCES (UNLESS SPECIFIED)		DIMENSION UNITS	SCALE	
	2017/07/27	ANGULAR TOL ± 3.0 °		MM	NTS	
	2017/08/10	4 PLACES ±	DRWN BY	DATE		
		3 PLACES ±	WJYAP	2013/04/01		
		2 PLACES ± 0.2	CHK'D BY	DATE		
	1 PLACE ±	CCTEH	2014/01/23			
	0 PLACES ±	APPR BY	DATE			
		SHLENI	2014/02/05			
		DRAWING SIZE	THIRD ANGLE PROJECTION			
		A3				
		DRAFT WHERE APPLICABLE MUST REMAIN WITHIN DIMENSIONS				
PRODUCT CUSTOMER DRAWING			SERIES	MATERIAL NUMBER	CUSTOMER	
			78847	78847-0001	GENERAL MARKET	
DOCUMENT NUMBER			DOC TYPE	DOC PART	SHEET NUMBER	
SD-78847-001			PSD	000	1 OF 4	

RELEASE STATUS	RELEASE DATE
----------------	--------------



0.40 (2X)
 \varnothing 0.25 E F-G F



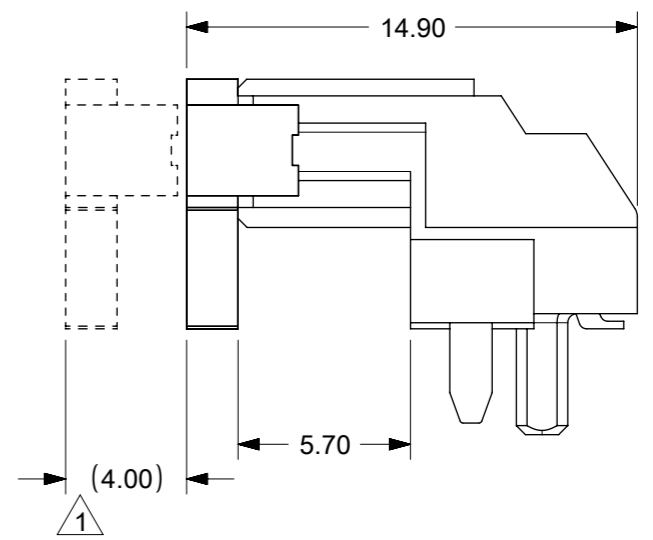
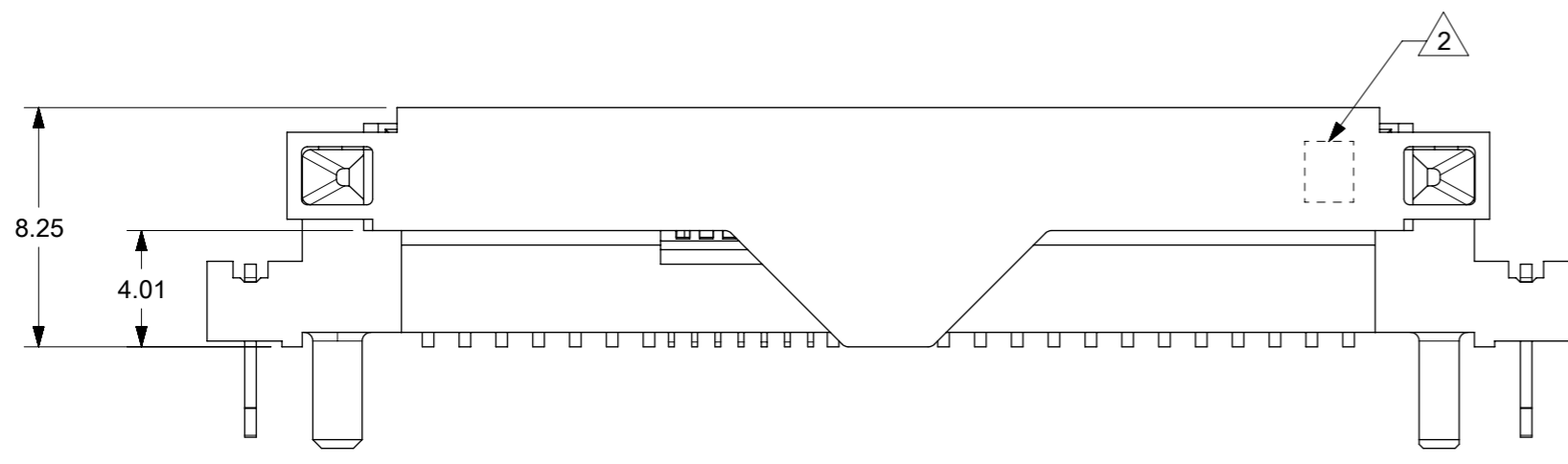
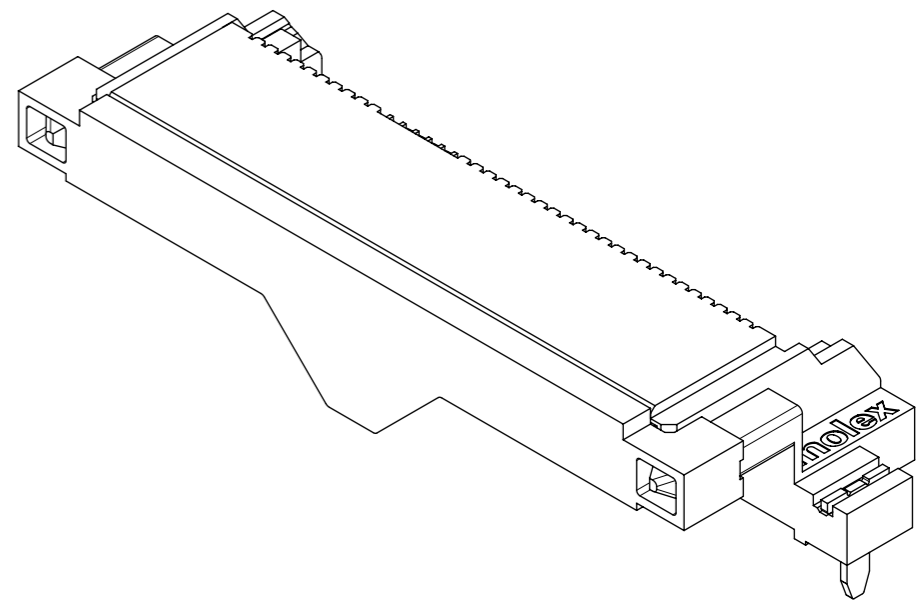
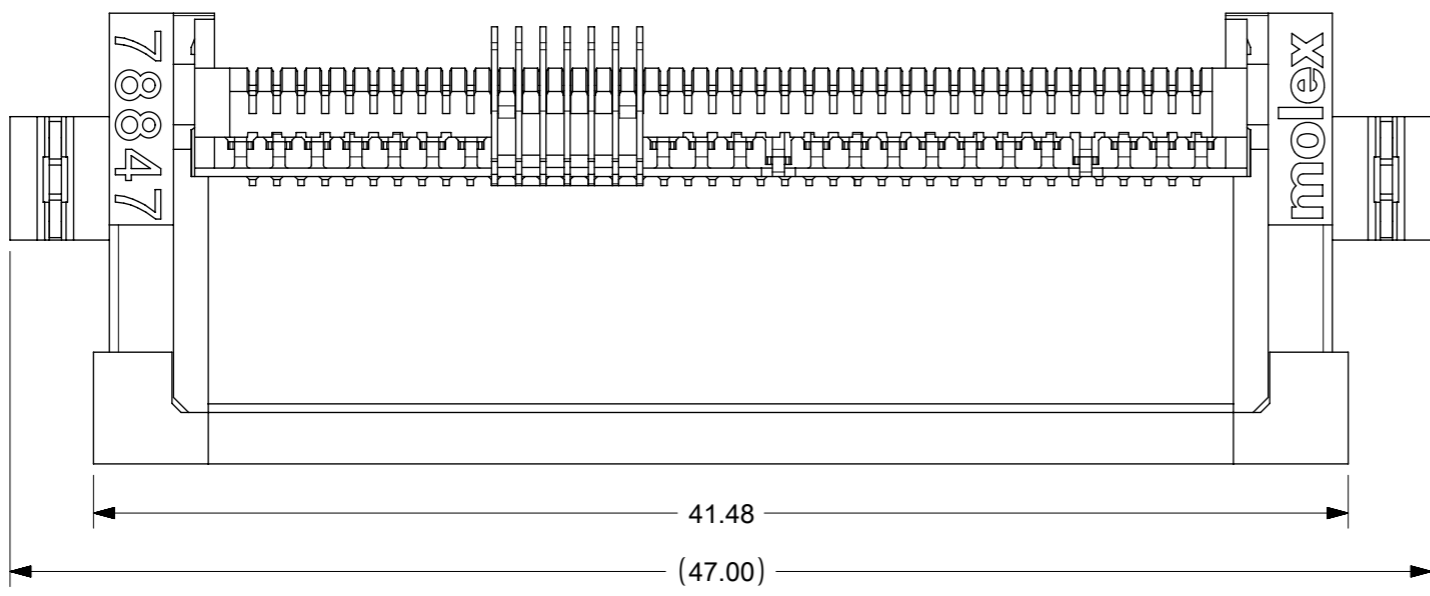
SECTION Z-Z

THIS DRAWING CONTAINS INFORMATION THAT IS PROPRIETARY TO MOLEX ELECTRONIC TECHNOLOGIES, LLC AND SHOULD NOT BE USED WITHOUT WRITTEN PERMISSION

ALIGNER IMPROVEMNT EC NO: 119788 DRWN: KUCHILA CHK'D: CCTEH APPR: SHLENI	2016/09/28	GENERAL TOLERANCES (UNLESS SPECIFIED) ANGULAR TOL ± 3.0 ° 4 PLACES ± 3 PLACES ± 2 PLACES ± 0.2 1 PLACE ± 0 PLACES ± DRAFT WHERE APPLICABLE MUST REMAIN WITHIN DIMENSIONS	DIMENSION UNITS	SCALE				
	2017/07/27		MM	NTS				
	2017/08/10		DRWN BY	DATE	SAS RECEPTACLE SMT 5.85MM HEIGHT			
			WJYAP	2013/04/01				
			CHK'D BY	DATE	PRODUCT CUSTOMER DRAWING			
	CCTEH	2014/01/23						
	APPR BY	DATE	DRAWING SIZE	THIRD ANGLE PROJECTION	SERIES	MATERIAL NUMBER	CUSTOMER	
	SHLENI	2014/02/05	A3		78847	78847-0001	GENERAL MARKET	
	REV				DOCUMENT NUMBER	DOC TYPE	DOC PART	SHEET NUMBER
A2					SD-78847-001	PSD	000	2 OF 4

RELEASE STATUS	RELEASE DATE
----------------	--------------

CONNECTOR OUTLINE WITH CAP

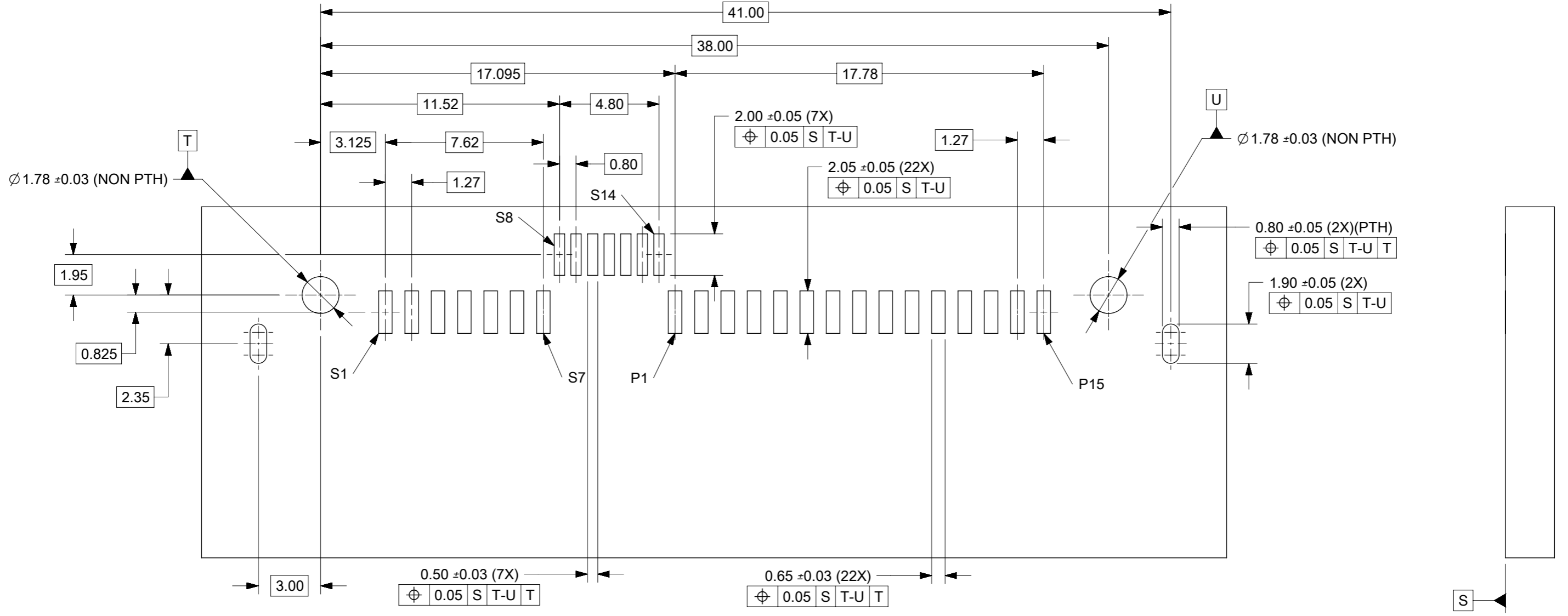


- NOTES:
- 1. ALLOW A GAP OF 4.00MM IN FRONT OF THE CONNECTOR FOR CAP REMOVAL
 - 2. CAP CAVITY NUMBER (NUMERIC VALUE)

THIS DRAWING CONTAINS INFORMATION THAT IS PROPRIETARY TO MOLEX ELECTRONIC TECHNOLOGIES, LLC AND SHOULD NOT BE USED WITHOUT WRITTEN PERMISSION

ALIGNER IMPROVEMNT EC NO: 119788 DRWN: KUCHILA CHK'D: CCTEH APPR: SHLENI	2016/09/28	GENERAL TOLERANCES (UNLESS SPECIFIED)	DIMENSION UNITS	SCALE	molex [®]	
	2017/07/27		MM	NTS		
	2017/08/10		ANGULAR TOL ± 3.0 °			SAS RECEPTACLE SMT 5.85MM HEIGHT
	4 PLACES ±		DRWN BY	DATE		
	3 PLACES ±		WJYAP	2013/04/01		
2 PLACES ± 0.2	CHK'D BY	DATE				
1 PLACE ±	CCTEH	2014/01/23	APPR BY	DATE	PRODUCT CUSTOMER DRAWING	
0 PLACES ±	SHLENI	2014/02/05	DRAWING SIZE	THIRD ANGLE PROJECTION		
DRAFT WHERE APPLICABLE MUST REMAIN WITHIN DIMENSIONS		A3				
REV	A2		SERIES	MATERIAL NUMBER	CUSTOMER	
			78847	78847-0001	GENERAL MARKET	
			DOCUMENT NUMBER		DOC TYPE	
			SD-78847-001		PSD	
			DOC PART	SHEET NUMBER		
			000	3 OF 4		

RELEASE STATUS	RELEASE DATE
----------------	--------------



RECOMMENDED PCB LAYOUT
THICKNESS: 2.36±0.24MM

THIS DRAWING CONTAINS INFORMATION THAT IS PROPRIETARY TO MOLEX ELECTRONIC TECHNOLOGIES, LLC AND SHOULD NOT BE USED WITHOUT WRITTEN PERMISSION

ALIGNER IMPROVEMENT EC NO: 119788 DRWN: KUCHILA CHK'D: CCTEH APPR: SHLENI	2016/09/28	GENERAL TOLERANCES (UNLESS SPECIFIED)		DIMENSION UNITS	SCALE				
	2017/07/27	ANGULAR TOL ± 3.0 °		MM	NTS				
	2017/08/10	4 PLACES	±	DRWN BY	DATE	SAS RECEPTACLE SMT 5.85MM HEIGHT			
		3 PLACES	±	WJYAP	2013/04/01				
		2 PLACES	± 0.2	CHK'D BY	DATE	PRODUCT CUSTOMER DRAWING			
	1 PLACE	±	CCTEH	2014/01/23					
	0 PLACES	±	APPR BY	DATE	SERIES	MATERIAL NUMBER	CUSTOMER		
			SHLENI	2014/02/05	78847	78847-0001	GENERAL MARKET		
			DRAFT WHERE APPLICABLE MUST REMAIN WITHIN DIMENSIONS	DRAWING SIZE	THIRD ANGLE PROJECTION	DOCUMENT NUMBER	DOC TYPE	DOC PART	SHEET NUMBER
A2	REV			A3		SD-78847-001	PSD	000	4 OF 4

RELEASE STATUS	RELEASE DATE
----------------	--------------