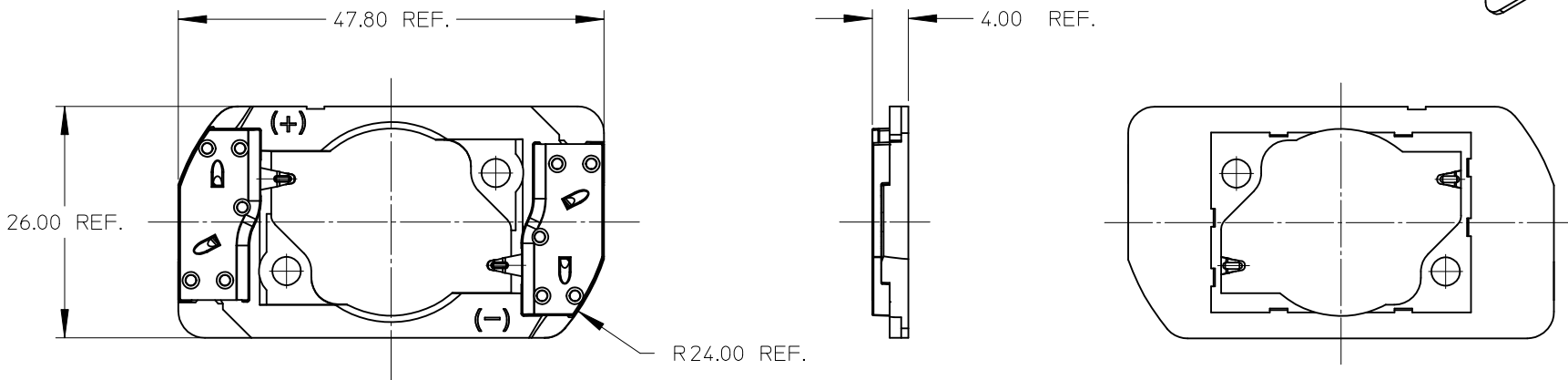
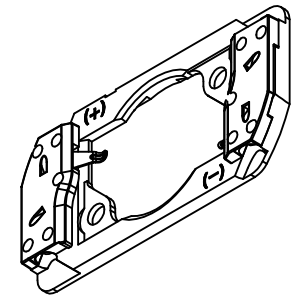


10	9	8	7	6	5	4	3	2	1
PART NUMBER		DESCRIPTION							
180260-0000		CITIZEN L-330 LED HOLDER							



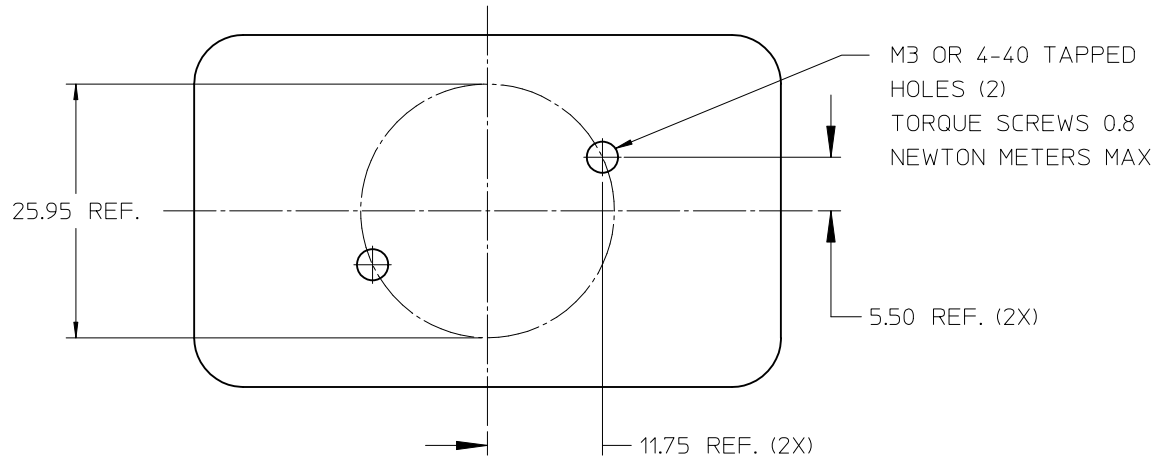
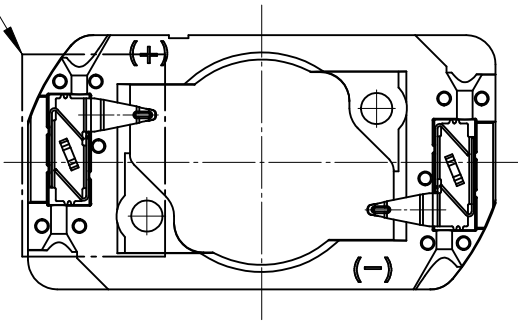
- NOTES:
- MATERIALS:
 - CAPS: NATURAL COLOR PA66 NYLON 25% GF UL94V-0
 - HOUSING: NATURAL COLOR PA66 NYLON 25% GF UL94V-0
 - WIRE TRAP TERMINALS: COPPER ALLOY
 - FINISH: GOLD OVER NICKEL
 - THIS PRODUCT IS ELV AND ROHS COMPLIANT
 - APPLICABLE WIRE GAUGE - 18 OR 20 AWG
 - SOLID WIRE IS RECOMMENDED
 - IF STRANDED WIRE IS USED, PRE-TINNED IS RECOMMENDED
 - 1 cm STRIP LENGTH IS RECOMMENDED
 - MOUNT HOLDER USING M3 OR 4-40 SCREWS (2), 0.8 NEWTON METERS MAX TORQUE
 - FOR CITIZEN L-330 LED HOLDER OUTER MOUNT VERSION REFER TO SALES DRAWING SD-180260-002
 - UL RECOGNIZED TO UL496
 - UL RECOGNIZED TO CSA-C22.2 NO. 43 (2008) RATED 600V
 - UL FILE NUMBER: E345583, UL-0LFB2

ENTER DESCRIPTION EC NO: SSL2012-0008 DRAWN BY: JAKLIC 2011/08/02 CHKD: APPR: DMCGOWAN 2011/08/05 REV B1	QUALITY SYMBOLS	GENERAL TOLERANCES (UNLESS SPECIFIED)		DIMENSION STYLE MM ONLY		SCALE 2:1	DESIGN UNITS METRIC	THIRD ANGLE PROJECTION			
	$\nabla=0$	mm	INCH	DRAWN BY FJAKLIC	DATE 2011/04/12	TITLE CITIZEN L-330 LED HOLDER					
	$\nabla=0$	4 PLACES ±---	±---	CHECKED BY	DATE						
	$\nabla=0$	3 PLACES ±---	±---	APPROVED BY DMCGOWAN		DATE 2011/05/03	MOLEX INCORPORATED		SHEET NO. 1 OF 2		
$\nabla=0$	2 PLACES ±0.13	±---	MATERIAL NO. 1802600000		DOCUMENT NO. SD-180260-001						
	1 PLACE ±0.25	±---	DRAFT WHERE APPLICABLE MUST REMAIN WITHIN DIMENSIONS							THIS DRAWING CONTAINS INFORMATION THAT IS PROPRIETARY TO MOLEX INCORPORATED AND SHOULD NOT BE USED WITHOUT WRITTEN PERMISSION	
	ANGULAR ±1/2°										

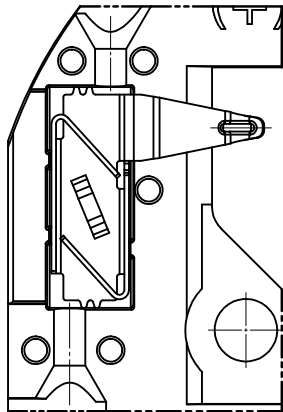
10 9 8 7 6 5 4 3 2 1

WIRE TRAP CAPS ARE REMOVED FROM FRONT VIEW FOR CLARITY

SEE DETAIL 1



RECOMMENDED MOUNTING DIMENSIONS



VIEW OF TWO-WAY WIRE TRAP

WIRE TRAPS WILL ACCOMODATE EITHER 18 OR 20 GAUGE WIRE

DETAIL 1 SCALE 4:1

ENTER DESCRIPTION EC NO: SSL2012-0008 DRW: FJAKLIC 2011/08/02 CHKD: JAKLIC APPR: DMCGOWAN 2011/08/05 REV B1	QUALITY SYMBOLS $\nabla=0$ $\nabla=0$ $\nabla=0$	GENERAL TOLERANCES (UNLESS SPECIFIED) <table border="1"> <thead> <tr> <th></th> <th>mm</th> <th>INCH</th> </tr> </thead> <tbody> <tr> <td>4 PLACES</td> <td>± ---</td> <td>± ---</td> </tr> <tr> <td>3 PLACES</td> <td>± ---</td> <td>± ---</td> </tr> <tr> <td>2 PLACES</td> <td>± 0.13</td> <td>± ---</td> </tr> <tr> <td>1 PLACE</td> <td>± 0.25</td> <td>± ---</td> </tr> </tbody> </table>		mm	INCH	4 PLACES	± ---	± ---	3 PLACES	± ---	± ---	2 PLACES	± 0.13	± ---	1 PLACE	± 0.25	± ---	DIMENSION STYLE MM ONLY	SCALE 2:1	DESIGN UNITS METRIC	THIRD ANGLE PROJECTION
		mm	INCH																		
	4 PLACES	± ---	± ---																		
	3 PLACES	± ---	± ---																		
2 PLACES	± 0.13	± ---																			
1 PLACE	± 0.25	± ---																			
DRAWN BY FJAKLIC	DATE 2011/04/12	TITLE CITIZEN L-330 LED HOLDER																			
CHECKED BY DMCGOWAN	DATE 2011/05/03	APPROVED BY DMCGOWAN																			
MATERIAL NO. 1802600000		DOCUMENT NO. SD-180260-001		SHEET NO. 2 OF 2																	

DRAFT WHERE APPLICABLE MUST REMAIN WITHIN DIMENSIONS

SIZE B

THIS DRAWING CONTAINS INFORMATION THAT IS PROPRIETARY TO MOLEX INCORPORATED AND SHOULD NOT BE USED WITHOUT WRITTEN PERMISSION

9 8 7 6 5 4 3 2 1