



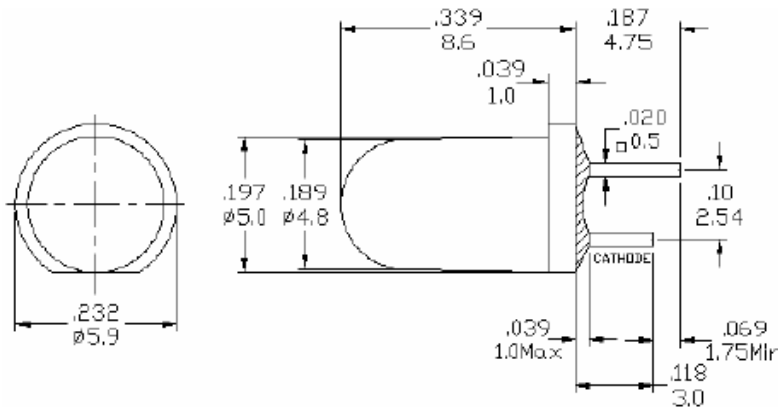
American Opto Plus LED

L513SRD-A

5mm Dia LED LAMP-red diffused

- ❖ 5mm super bright LED lamp
- ❖ I.C compatible
- ❖ Low power consumption

PACKAGE DIMENSION:



* Tolerance : $\pm \frac{0.01}{0.25}$ Unit : $\pm \frac{\text{inch}}{\text{mm}}$

Feature

- Low Power Consumption
- High Intensity
- I.C. compatible

Description

- These High Intensity LEDs are Based on GaAlAs/GaAs Material Technology
- Red Diffusion Lens

Applications

- Commercial Outdoor Sign Board
- Automotive
- Front Panel Indicator
- Backlight
- LED Blub

SELECTION GUIDE

Chip Material	Chip Emitted	Lens Color	Viewing Angle
GaAlAs/GaAs	Red	Red Diffused	45°



American Opto Plus LED L513SRD-A

5mm Dia LED LAMP-red diffused

- ❖ 5mm super bright LED lamp
- ❖ I.C compatible
- ❖ Low power consumption

Absolute Maximum Ratings at Ta=25°C

Symbol	Parameter	Max.	Unit
PD	Power Dissipation	75	mW
VR	Reverse Voltage	5	V
IF	Forward Current	30	mA
IPF	Pulse Forward Current (Duty = 0.1 · 1kHz)	100	mA
T _{opr}	Operating Temperature Range	- 40 to + 80	°C
T _{stg}	Storage Temperature Range	- 40 to + 100	°C

Lead Soldering Temperature [1.6mm (0.063inch) From Body] 260°C For 5 Seconds.

Electrical / Optical Characteristics and Curves at Ta=25°C

Symbol	Parameter	Test Condition	Min.	Typ.	Max.	Unit
V _F	Forward Voltage	I _F = 20 mA		1.8	2.5	V
I _R	Reverse Current	V _R = 5 V			100	μA
λ _P	Peak Wavelength	I _F = 20 mA		660		nm
Δθ	Viewing Angle 2θ 1/2	I _F = 20 mA		45		Deg
I _V	Luminous Intensity	I _F = 20 mA	35	80		mcd