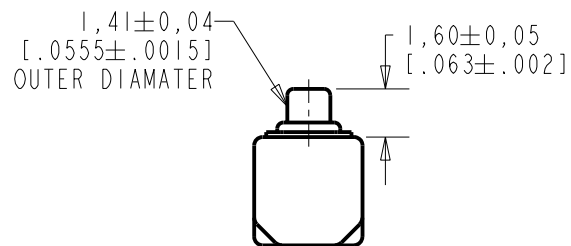
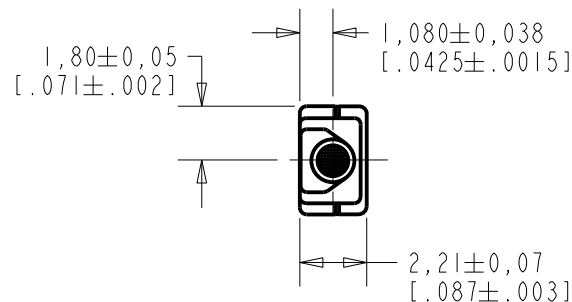


EM-24358-080

SHT 1.1

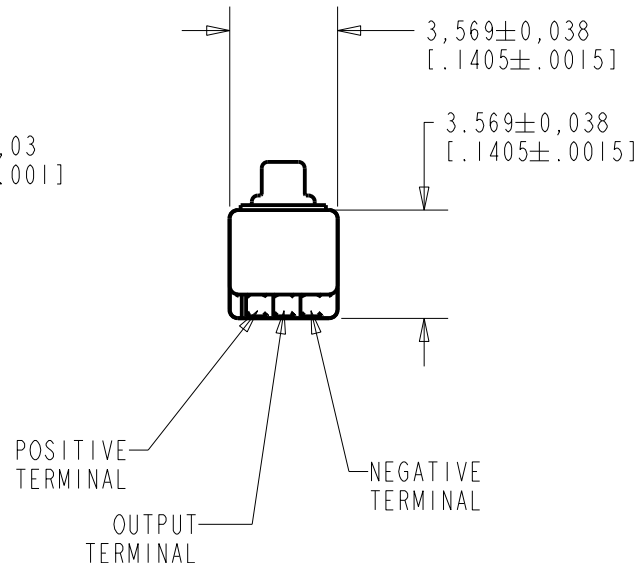
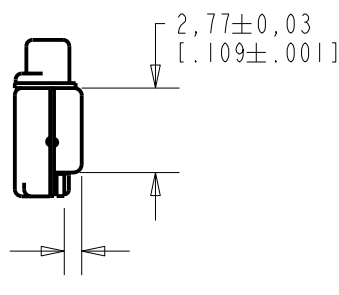
NOTE:

1. INCREASED PRESSURE AT SOUND INLET CAUSES A POSITIVE GOING VOLTAGE TO APPEAR AT THE OUTPUT TERMINAL, RELATIVE TO THE NEGATIVE TERMINAL.



NOMINAL WEIGHT
.08 GRAMS

DIMENSIONS IN MILLIMETERS [INCHES]

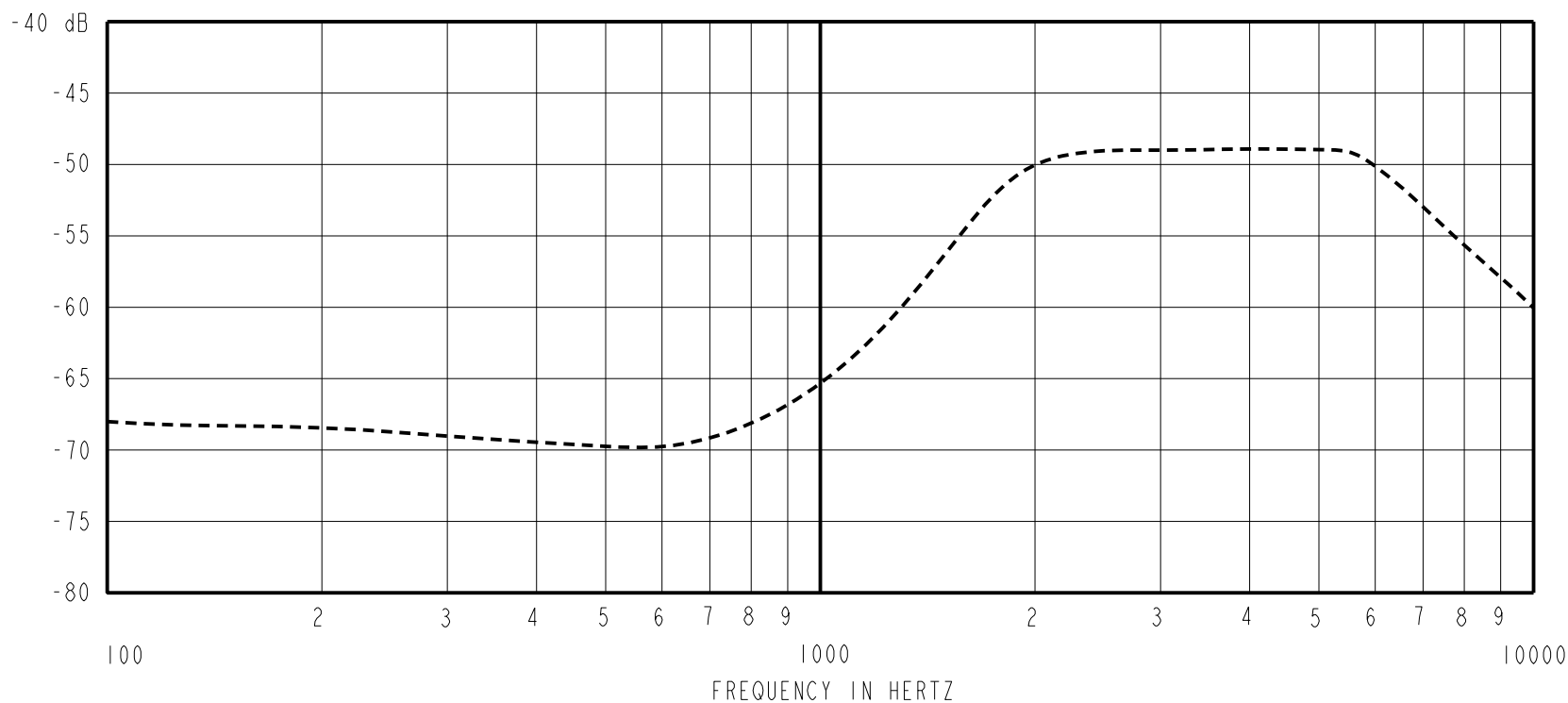


Revision	C.O. #	Implementation Date	RELEASE LEVEL	REVISION
E	MI0106036	5-25-15	Active	E
D	MI0105775	10-30-14		

SCALE: 4:1		DR. BY	DATE
DO NOT SCALE DRAWING		LSY	1-26-07
TITLE: MICROPHONE		CK. BY	DATE
OUTLINE DRAWING		GJP	2-13-07
EM-24358-080		APP. BY	DATE
SHT 1.1		GJP	2-13-07

KNOWLES ELECTRONICS
ITASCA, ILLINOIS U.S.A.

SENSITIVITY IN dB RELATIVE TO 1.0 VOLT/0.1 Pa (N/M²)
FOR CONDITIONS SHOWN BELOW.



FREQUENCY	SENSITIVITY			DEVICE CONFORMITY	
	MIN.	NOM.	MAX.	RANGE OF DEVIATION FROM 1KHz	
100	---	-68.0	---	-23.0	-15.0
300	---	-68.0	---	-23.0	-15.0
3000	-52.0	-49.0	-46.0	0.0	0.0
5000	---	-48.0	---	---	+2.5

NOTES:

1. CASE CONNECTED TO NEGATIVE TERMINAL.
2. MICROPHONE TO BE FUNCTIONAL WITH 1.6 VDC SUPPLY.
3. TYPICAL SENSITIVITY TO HUMIDITY AT 3000Hz IS 0.03 dB/%RH
4. SENSITIVITY AND NOISE VALUES INDICATED ON THIS SPECIFICATION ARE VALID AT 50% HUMIDITY.

PORT LOCATION	DC SUPPLY	AMPLIFIER CURRENT DRAIN	SENSITIVITY CHANGE ON REDUCING SUPPLY TO 0.9VDC	"A" WEIGHTED NOISE (RE 1 VOLT)	OUTPUT IMPEDANCE OHMS		
					MIN.	NOM.	MAX.
12S	1.3V	50 µA MAX.	3 dB MAX.	-97.0 dB MAX.	2800	4400	6800

Revision	C.O. #	Implementation Date	RELEASE LEVEL	REVISION
E	M10106036	5-25-15	Active	E
D	M10105775	10-30-14		

KNOWLES ELECTRONICS
ITASCA, ILLINOIS U.S.A.

WHEN TEST LIMITS ARE USED TO ESTABLISH INCOMING INSPECTION ACCEPTANCE/REJECTION CRITERIA, CORRELATION OF TEST EQUIPMENT WITH KNOWLES IS ALSO REQUIRED FOR ELIMINATION OF EQUIPMENT AND TEST METHOD VARIATION

TITLE: **MICROPHONE**
PERFORMANCE SPECIFICATION

EM-24358-080
SHT 2.1

DR. BY	DATE
LSY	1-26-07
CK. BY	DATE
GJP	2-13-07
APP. BY	DATE
GJP	2-13-07