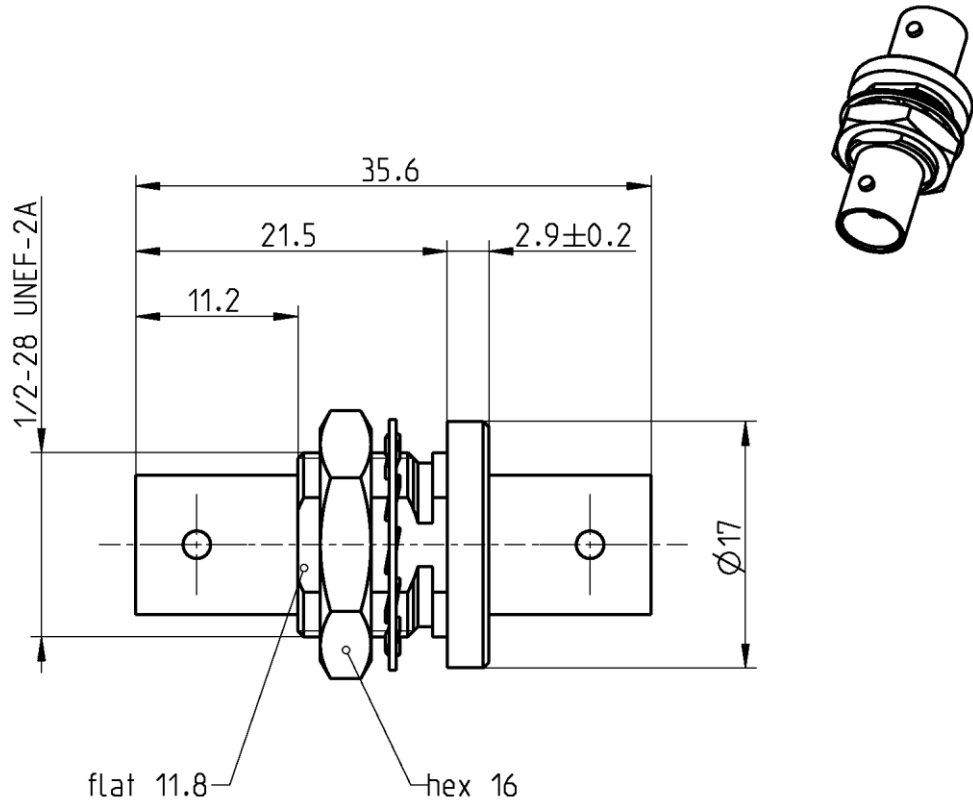


# Technical Data Sheet

# Rosenberger

BNC 75  $\Omega$  Adaptor Jack – Jack  
With insulated  
round flange

## 71K542-K00A5



All dimensions are in mm; tolerances according to ISO 2768 m-H

### Interface

Compatible to IEC 61169-8, MIL-PRF-39012, CECC 22120

### Documents

Panel piercing B 3

### Material and plating

#### Connector parts

Center contact  
Outer contact  
Body  
Dielectric  
Insulated round flange

#### Material

CuNi1Pb1P  
Brass  
Brass  
PTFE  
POM

#### Plating

AuroDur®, gold plated  
Nickel, 2.5-5  $\mu\text{m}$   
Nickel, 2.5-5  $\mu\text{m}$

# Technical Data Sheet

# Rosenberger

BNC 75 Ω Adaptor Jack – Jack  
With insulated  
round flange

## 71K542-K00A5

### Electrical data

Impedance	75 Ω
Frequency	DC to 4 GHz
Return loss	≥ 36 dB @ DC to 1 GHz ≥ 31 dB @ 1 GHz to 2 GHz ≥ 29 dB @ 2 GHz to 3 GHz
Insertion loss	≤ 0.05 x √ f [GHz] dB, DC to 3 GHz
Insulation resistance	≥ 5 GΩ
Center contact resistance	≤ 20 mΩ
Outer contact resistance	≤ 5 mΩ
Test voltage (at sea level)	1500 V rms
Working voltage (at sea level)	400 V rms
Power handling (at 20 °C, sea level, VSWR 1.0)	≤ 80 W @ 2 GHz

### Mechanical data

Mating cycles	≥ 500
Center contact captivation: axial	≥ 15 N

### Environmental data

Temperature range	-25 °C to +110 °C
Thermal shock	MIL-STD-202, Method 107, Condition B
Corrosion resistance	MIL-STD-202, Method 101, Condition B
Vibration	MIL-STD-202, Method 204, Condition B
Shock	MIL-STD-202, Method 213, Condition G
Moisture resistance	MIL-STD-202, Method 106
RoHS	compliant

### Tooling

N/A

### Suitable cables

N/A

### Weight

Weight 13.9 g/pce

While the information has been carefully compiled to the best of our knowledge, nothing is intended as representation or warranty on our part and no statement herein shall be construed as recommendation to infringe existing patents. In the effort to improve our products, we reserve the right to make changes judged to be necessary.

For the installation of the electrotechnical equipment, particular electrotechnical expertise is required.



Draft	Date	Approved	Date	Rev.	Engineering change number	Name	Date
Gasteiger A.	14.03.12	Chr. Janßen	08.03.21	c00	20-1927	S. Huber-Siegl	08.03.21
Rosenberger Hochfrequenztechnik GmbH & Co. KG P.O.Box 1260 D-84526 Tittmoning Germany <a href="http://www.rosenberger.com">www.rosenberger.com</a>						Tel. : +49 8684 18-0 Email : <a href="mailto:info@rosenberger.com">info@rosenberger.com</a>	
							Page 2 / 2