

4

3

2

1

THIS DRAWING IS UNPUBLISHED.

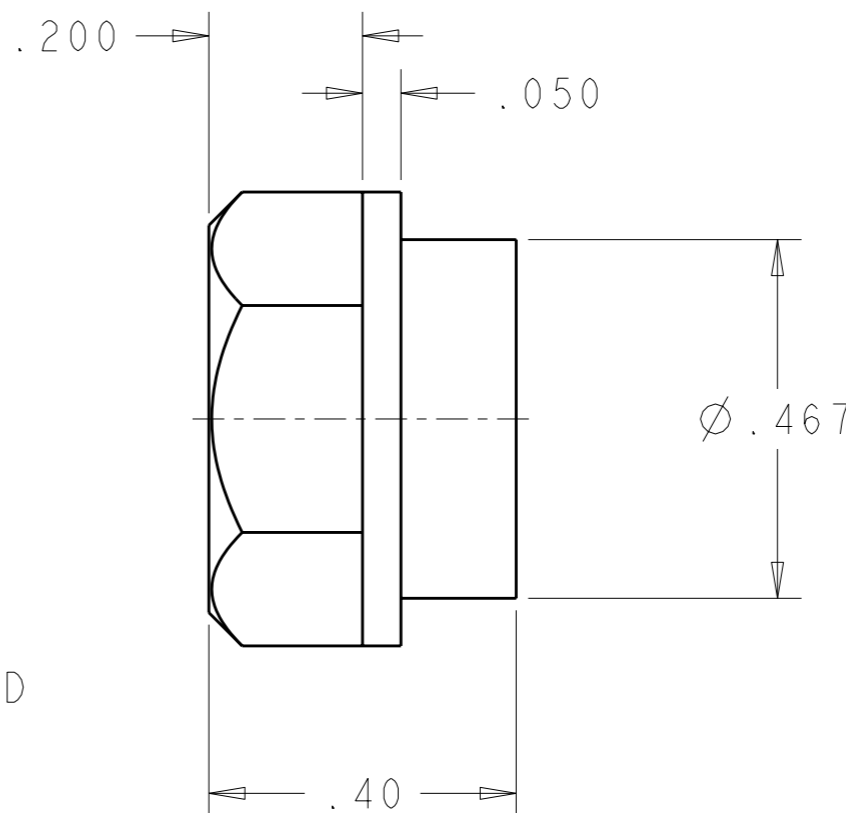
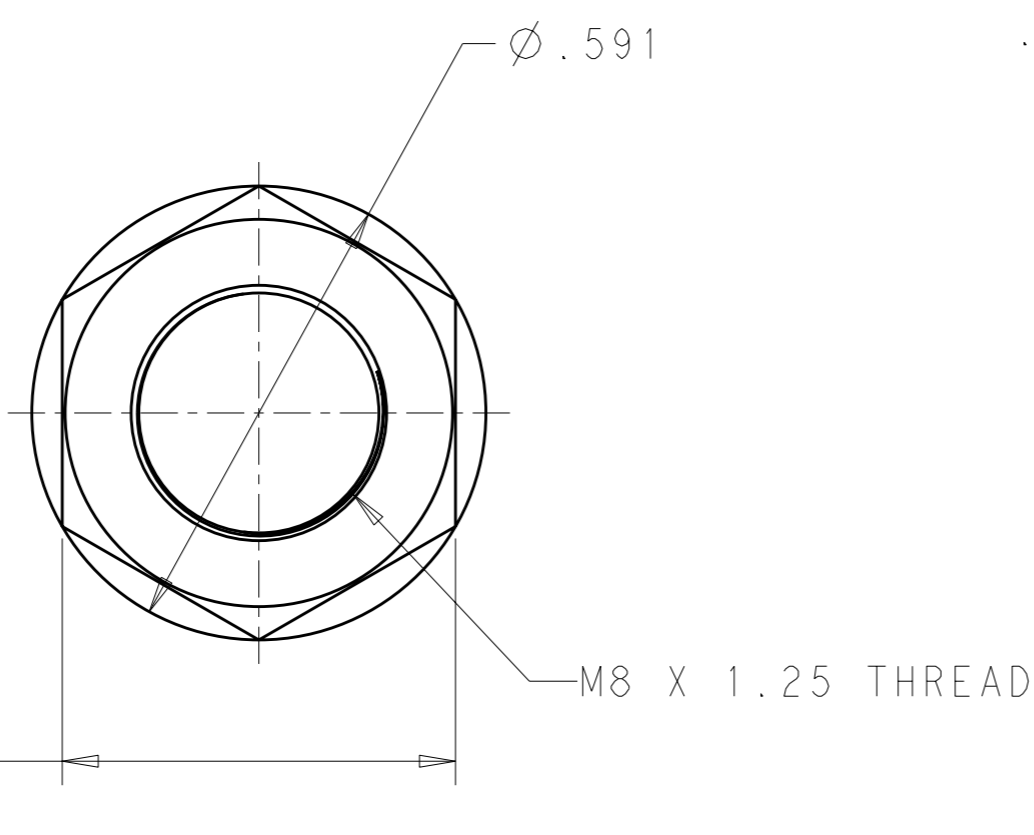
RELEASED FOR PUBLICATION

20

© COPYRIGHT 20

BY TYCO ELECTRONICS CORPORATION. ALL INTERNATIONAL RIGHTS RESERVED.

LOC	DIST	REVISIONS			
P	LTR	DESCRIPTION	DATE	DWN	APVD
GP	00	A	RELEASED	07MAY2010	RG DO



1 MATERIAL:
BRASS ALLOY

2 FINISH:
SILVER PLATE .000200 MIN THK.
OVER NICKEL .000050 MIN THK.

AS SHOWN	2085457-1
DESCRIPTION	PART NUMBER

<small>THIS DRAWING IS A CONTROLLED DOCUMENT FOR TYCO ELECTRONICS CORPORATION IT IS SUBJECT TO CHANGE AND THE CONTROLLING ENGINEERING ORGANIZATION SHOULD BE CONTACTED FOR THE LATEST REVISION.</small>		DWN R. GRZYBOWSKI 29APR2010 CHK D. ORRIS 29APR2010 APVD M. PERCHERKE 29APR2010	Tyco Electronics Corporation Harrisburg, PA 17105-3608
DIMENSIONS: INCHES 	TOLERANCES UNLESS OTHERWISE SPECIFIED: 0 PLC ±- 1 PLC ±- 2 PLC ±.01 3 PLC ±.005 4 PLC ±- ANGLES ±-	NAME SPECIAL LOCKING NUT CROWN INSERT PCB SOCKET	SIZE A3 CAGE CODE 00779 DRAWING NO C-2085457 RESTRICTED TO -
MATERIAL 1	FINISH 2	PRODUCT SPEC - APPLICATION SPEC - WEIGHT -	SCALE 4:1 SHEET 1 OF 1 REV A
CUSTOMER DRAWING			