

TABLE 1		TABLE 1	
DASH NO	DESCRIPTION	DASH NO	DESCRIPTION
-1	TERM (NO CHAIN)	-12	TERM WITH 2.5 JACKETED STAINLESS STEEL ROPE
-2	TERM WITH 2.5 BRASS CHAIN	-13	TERM WITH 3.0 JACKETED STAINLESS STEEL ROPE
-3	TERM WITH 2.5 NYLON CHAIN	-14	TERM WITH 5.0 JACKETED STAINLESS STEEL ROPE
-4	TERM WITH 3.0 BRASS CHAIN	-15	TERM WITH 4.0 JACKETED STAINLESS STEEL ROPE
-5	TERM WITH 3.0 NYLON CHAIN	-16	TERM WITH 7.0 JACKETED STAINLESS STEEL ROPE
-6	TERM WITH 6.0 BRASS CHAIN	-17	TERM WITH 4.5 JACKETED STAINLESS STEEL ROPE
-7	TERM WITH 6.0 NYLON CHAIN	-18	TERM WITH 12.0 JACKETED STAINLESS STEEL ROPE
-8	TERM WITH 4.0 BRASS CHAIN	-19	TERM WITH 18.0 JACKETED STAINLESS STEEL ROPE
-9	TERM WITH 4.0 NYLON CHAIN		
-10	TERM WITH 10.0 BRASS CHAIN		
-11	TERM WITH 10.0 NYLON CHAIN		

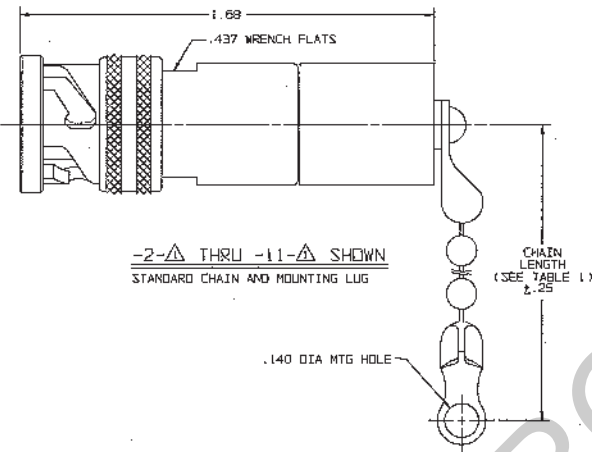
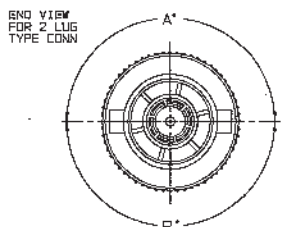
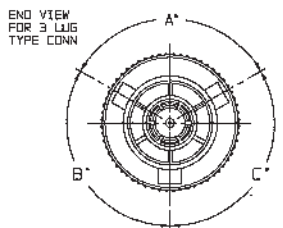
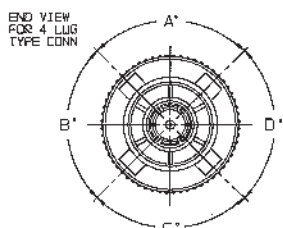
TABLE 2		POLARIZATION			
MODEL NO	TYPE CONN	A	B	C	D
		DEGREE	DEGREE	DEGREE	DEGREE
TNG1	3 LUG	120*	120*	120*	—
TNGFL1	4 LUG	90*	90*	90*	90*
TNGTL1	2 LUG	180*	180*	—	—
TNGIT	3 LUG	100*	150*	110*	—
TNGIU		120*	130*	110*	—
TNGIV		115*	130*	115*	—
TNGIW		125*	110*	125*	—
TNGIX		130*	100*	130*	—
TNGIY		110*	140*	110*	—
TNGIZ		100*	160*	100*	—
TNGIS		135*	135*	90*	—

TABLE 3				
DASH NO	*A* DIA	*B* DIA	*C* DIM	*D* DIM
-01	.755	.975	1.191	.512
-02	.830	.750	1.066	.450
-03	.505	.625	.841	.388
-04	.439	.562	.878	.355
-05	.390	.500	.816	.325
-06	.317	.437	.753	.295
-07	.281	.406	.722	.278
-08	.810	.750	1.066	.450
-09	.567	.697	1.003	.419
-010	.192	.312	.628	.231
-008	.330	.450	.766	.300

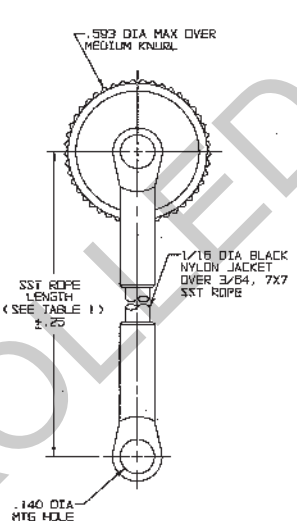
DATA CONTAINED ON THIS DOCUMENT IS PROPRIETARY TO TROMPETER ELECTRONICS, INC. AND SHALL NOT BE DISCLOSED, COPIED OR REPRODUCED IN ANY MANNER WITHOUT THE WRITTEN PERMISSION OF TROMPETER ELECTRONICS, INC.

REVISIONS		310-0033	SH 1C
REV	DESCRIPTION	DATE	APPROVED
AG	REVISED PER ECO 16890	2/1/09	MALBY

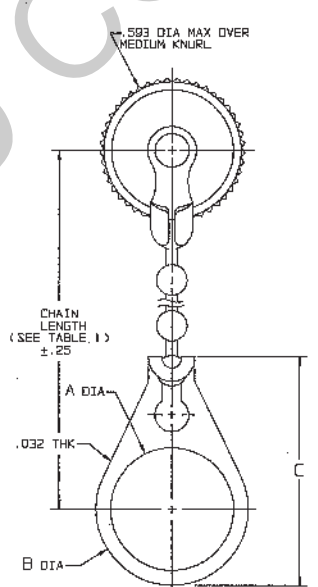
RED INDICATES ORIGINAL



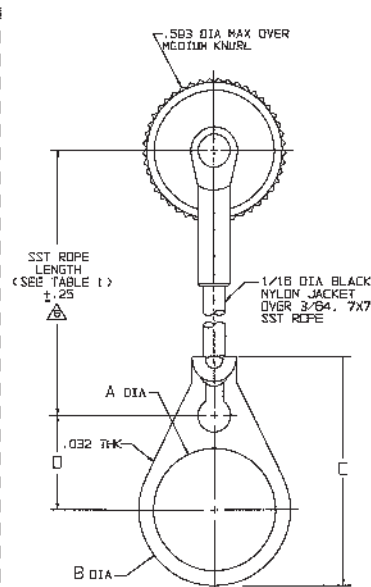
-2- thru -11- SHOWN  
STANDARD CHAIN AND MOUNTING LUG



-12- thru  
-19- SHOWN  
STAINLESS STEEL ROPE AND MOUNTING LUG

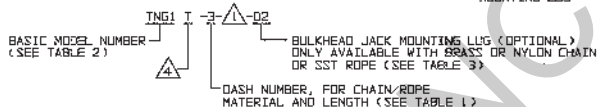


-2- thru -01 thru  
-11- thru -008 shown  
STANDARD CHAIN AND BULKHEAD JACK MOUNTING LUG



-12- thru -01 thru  
-19- thru -008 shown  
STAINLESS STEEL ROPE AND BULKHEAD JACK MOUNTING LUG

3. EXAMPLE OF COMPLETE MODEL NUMBER:

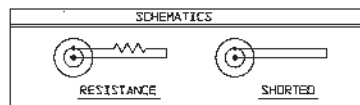


2. 2, 3 AND 4 LUG CONCENTRIC TWINAX/TRIAX TERMINATION PLUG WITH CHAIN, SST ROPE AND MOUNTING LUG OPTIONS

RESISTANCE VALUE IN OHMS, 1/2W, 1%. \*S\* = CONTACT SHORTED TO INNER SHIELD (NO RESISTOR) \*O\* = LOOSELY ASSEMBLED (NO RESISTOR)

NOTE THAT LENGTH FOR SST ROPE WITH MOUNTING LUG OPTION IS NOT MEASURED TO CENTER OF BULKHEAD MOUNTING LUG

POLARIZATION LETTER, NONE REQUIRED FOR STANDARD POLARIZATION LETTER CODE (SEE TABLE 2)



UNLESS SPECIFIED ALL DIMENSIONS ARE IN INCHES UNLESS OTHERWISE SPECIFIED	TOL. UNLESS SPECIFIED INCH ± .01 MILL ± .010 ANGLES UNLESS SPECIFIED
DATE: 3-24-09	DATE: 7-15-08
CHECKED: M.S. 3-20-09	DATE: 7-15-08
QUALITY: M.S. 3-30-09	DATE: 7-15-08
DATE: 3-30-09	DATE: 7-15-08
FILE NO: 310-0033AG	DATE: 7-15-08

<b>TROMPETER</b> RF connectivity	
TITLE: TNG1/TNGFL1/TNGTL1/TNGIT; U, V, W, X, Y, Z & S	REV: AG
SIZE: A 14949	DRAWING NO: 310-0033
SCALE: 4/1	SHEET: 1C

NEXT ASSY

DO NOT SCALE DIM