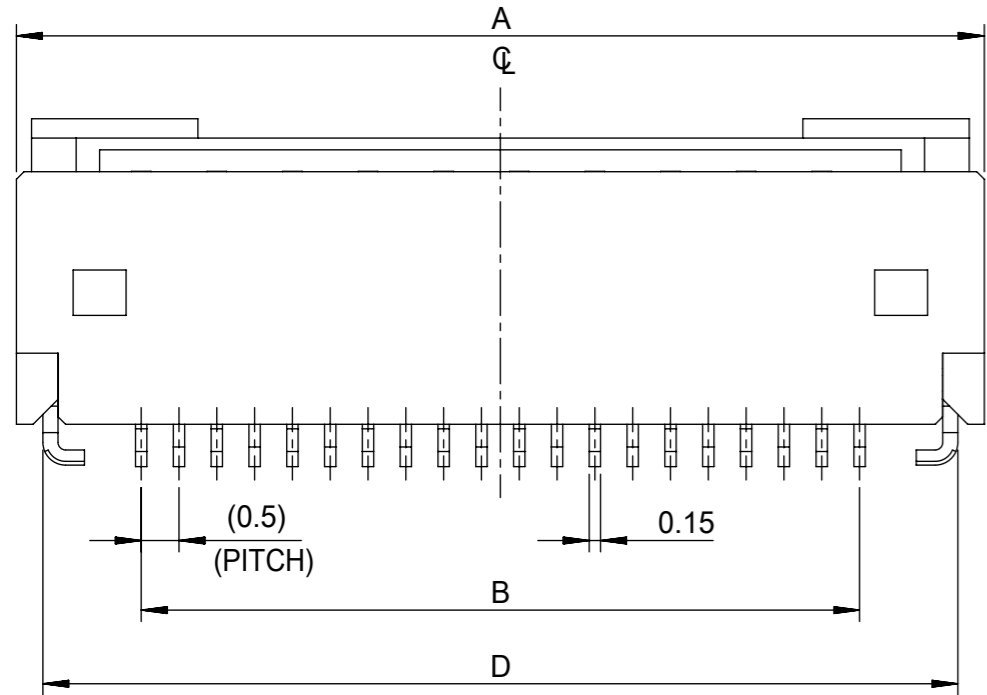
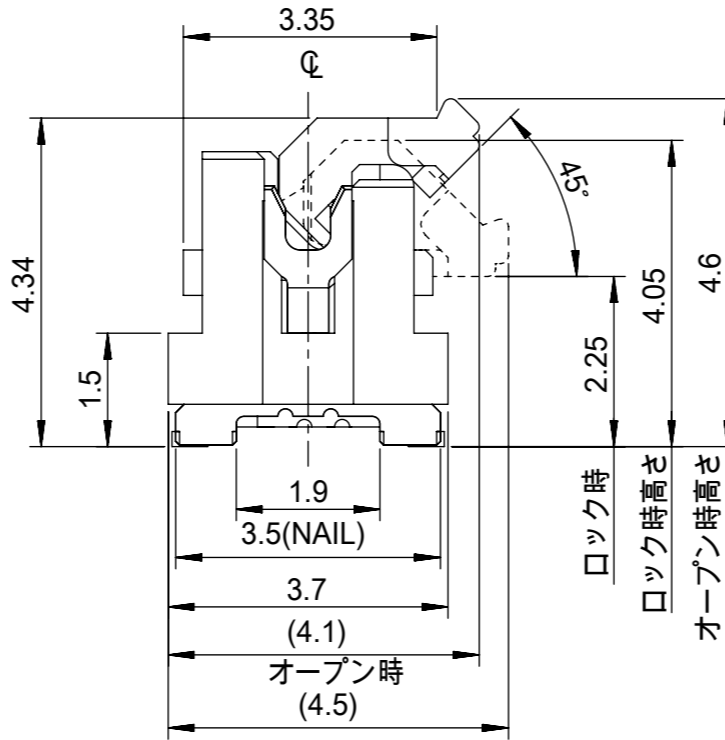


断面図(参考)



注記 NOTES

1. 使用材料 MATERIAL  
 ハウジング : 液晶ポリマー ガラス充填, UL94V-0(白)  
 HOUSING LIQUID CRYSTAL POLYMER GLASS FILLED, UL94V-0 (WHITE)  
 アクチュエータ : ポリアミド 9T, ガラス充填, UL94V-0(茶)  
 ACTUATOR POLYAMIDE 9T, GLASS FILLED, UL94V-0 (BROWN)  
 ターミナル : 銅合金(t=0.15)  
 TERMINAL COPPER ALLOY  
 金具 : 銅合金(t=0.2)  
 FITTING NAIL COPPER ALLOY
2. めっき仕様 PLATING  
 ターミナル TERMINAL  
 ニッケル下地錫ビスマスめっき  
 錫ビスマスめっき(1.0μm以上)  
 ニッケルめっき(1.0μm以上)  
 TIN BISMUTH(SnBi) OVER NICKEL(Ni) PLATING.  
 TIN BISMUTH(SnBi) PLATING (1.0 MICROMETER MINIMUM)  
 NICKEL PLATING (1.0 MICROMETER MINIMUM)  
 金具 FITTING NAIL  
 ニッケル下地錫めっき  
 錫めっき(1.0μm以上)  
 ニッケルめっき(1.0μm以上)  
 TIN(Sn) OVER NICKEL(Ni) PLATING.  
 TIN PLATING (1.0 MICROMETER MINIMUM)  
 NICKEL PLATING (1.0 MICROMETER MINIMUM)
3. テールと金具を併せた平坦度は 0.1ミリメートル以下  
 TAILS AND NAILS COPLANARITY TO BE 0.1 MAX.
4. ELV及びRoHS適合品  
 ELV AND RoHS COMPLIANT
5. R0.3は、FPC導体部にかからないこと。  
 R0.3 MUST NOT BE OVERLAPPED TO PATTERN OF FPC.

8	30.7	32.1	32.4	29.5	32.8	5019516000	60
	25.7	27.1	27.4	24.5	27.8	5019515000	50
	23.2	24.6	24.9	22.0	25.3	5019514500	45
	20.7	22.1	22.4	19.5	22.8	5019514000	40
	16.7	18.1	18.4	15.5	18.8	5019513200	32
	15.7	17.1	17.4	14.5	17.8	5019513000	30
	12.7	14.1	14.4	11.5	14.8	5019512400	24
	11.7	13.1	13.4	10.5	13.8	5019512200	22
F	E	D	C	B	A	EMBOSSED PACKAGE オーダー番号 ORDER NO.	CIRCUITS
CONNECTOR SERIES NO. 501951-**09							

THIS DRAWING CONTAINS INFORMATION THAT IS PROPRIETARY TO MOLEX ELECTRONIC TECHNOLOGIES, LLC AND SHOULD NOT BE USED WITHOUT WRITTEN PERMISSION

mm 10:1

GENERAL TOLERANCES (UNLESS SPECIFIED)

ANGULAR TOL ± 1.0°

4 PLACES ± 0.2

3 PLACES ± 0.25

2 PLACES ± 0.3

1 PLACE ± 0.05

0 PLACES ±

DRAFT WHERE APPLICABLE MUST REMAIN WITHIN DIMENSIONS

THIRD ANGLE PROJECTION

DRAWING A3-SIZE

SERIES 501951

MATERIAL NUMBER SEE TABLE

CUSTOMER GENERAL MARKET

SHEET NUMBER 1 OF 2

EC NO: 637653

DRWN: TNAKAGAWA01 2020/05/15

CHK'D: HSHIMOYAMA 2020/05/15

APPR: SHOSHIKAWA 2020/05/15

INITIAL REVISION:

DRWN: TRSUZUKI 2005/12/05

APPR: HHIRATA 2005/12/05

DOCUMENT NUMBER SD-501951-001

DOC TYPE PSD

DOC PART 001

REVISION D

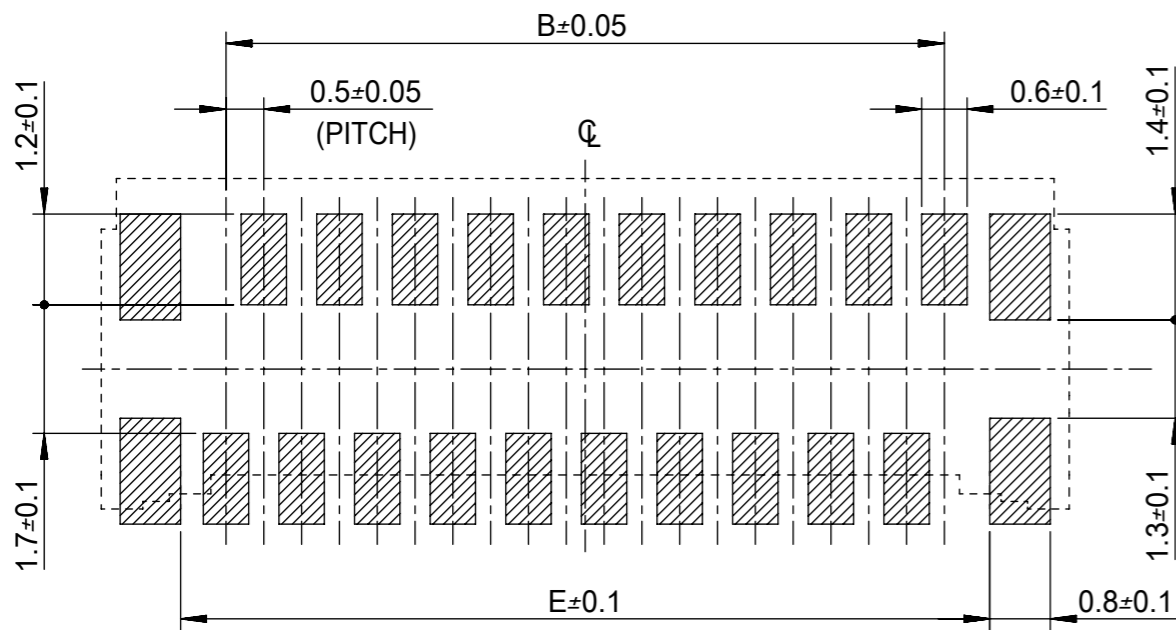
**molex**

0.5 FPC CONN. HSG ASSY  
EASY ON / STRAIGHT (TIN-BISMUTH)

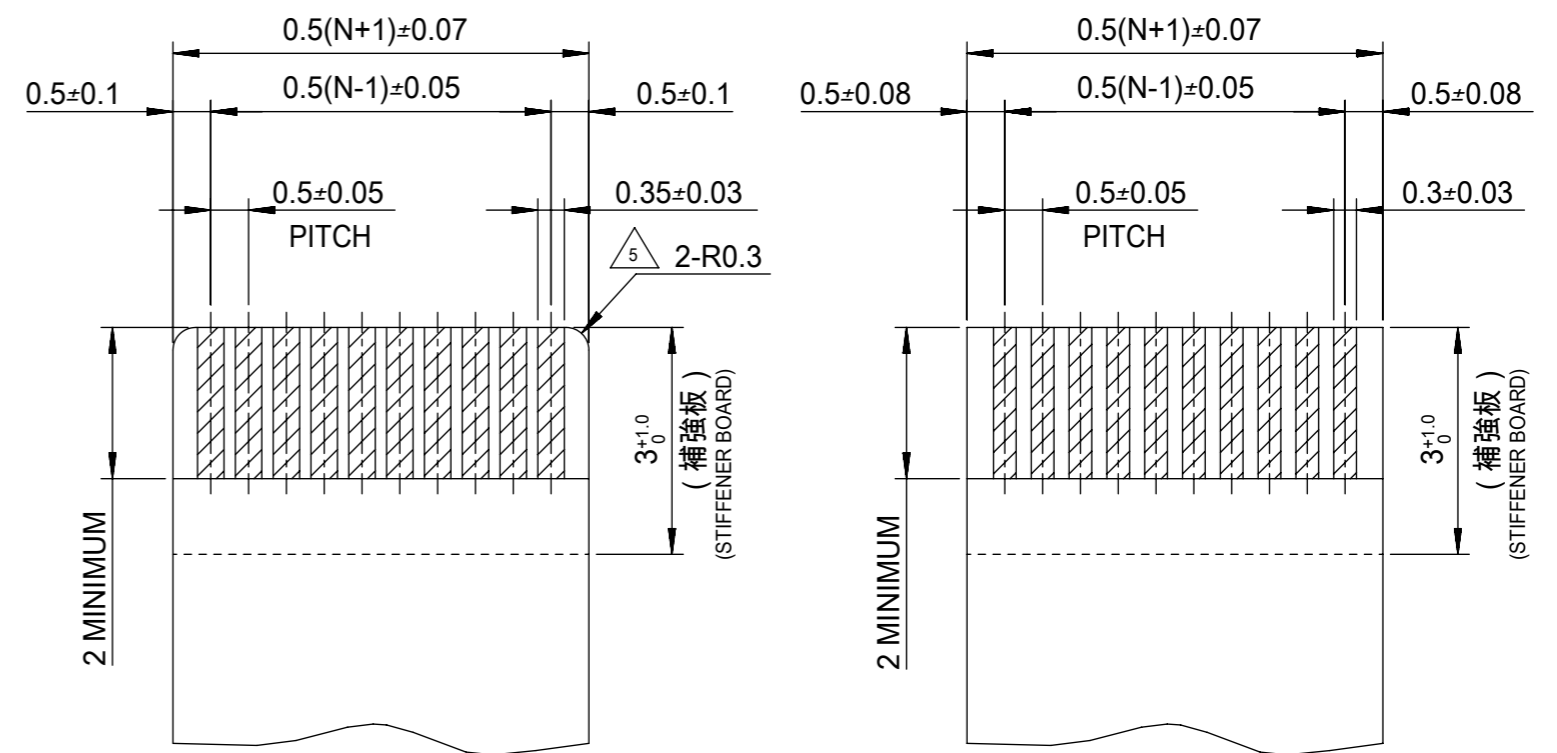
PRODUCT CUSTOMER DRAWING

GENERAL TOLERANCES (UNLESS SPECIFIED)

10 UNDER	±0.2
10 OVER 30 UNDER	±0.25
30 OVER	±0.3
ANGULAR	±1°



参考基板レイアウト (マウント面)  
P.C.BOARD PATTERN DIMENSION(REF.)  
(MOUNT AREA)



適合FPC推奨寸法  
APPLICABLE FPC  
RECOMMENDED DIMENSION  
(仕上がり厚さ : 0.3±0.03)  
(THICKNESS : 0.3±0.03)

N : 極数  
N : CIRCUITS

適合FFC推奨寸法  
APPLICABLE FFC  
RECOMMENDED DIMENSION  
(仕上がり厚さ : 0.3±0.03)  
(THICKNESS : 0.3±0.03)

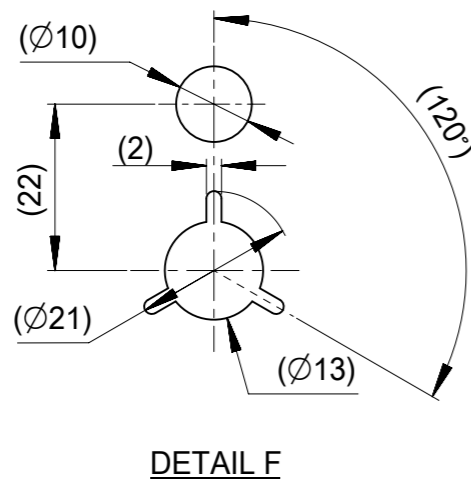
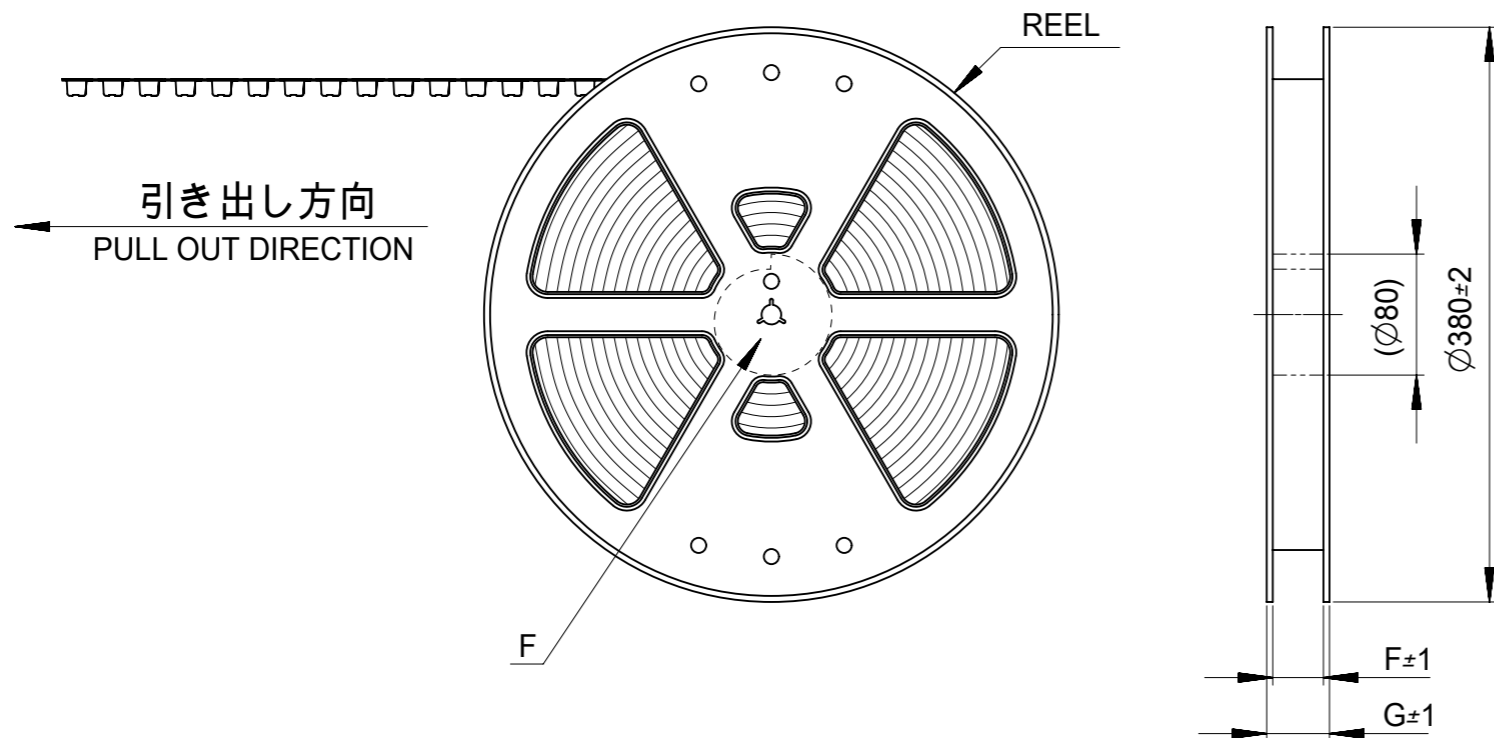
N : 極数  
N : CIRCUITS

FPCについて：  
打抜き方向は導体側から補強板側を推奨致します。  
補強フィルム材質はポリイミドを推奨致します。  
接着剤は熱硬化接着剤を推奨致します。

ABOUT FPC:  
RECOMMENDED PUNCHER DIRECTION:  
FROM CONDUCTOR SIDE TO STIFFENER BOARD SIDE.  
RECOMMENDED MATERIAL:  
STIFFENER FILM:POLYIMIDE  
BONDING AGENT:THERMOSETTING BONDING AGENT

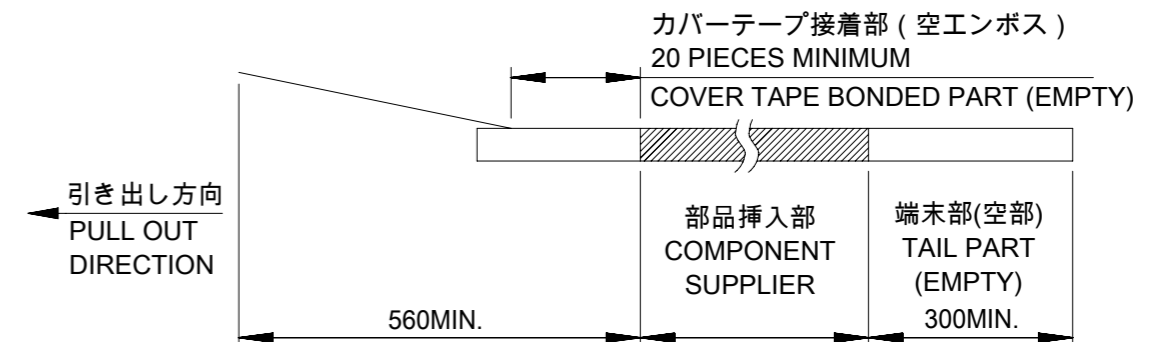
THIS DRAWING CONTAINS INFORMATION THAT IS PROPRIETARY TO MOLEX ELECTRONIC TECHNOLOGIES, LLC AND SHOULD NOT BE USED WITHOUT WRITTEN PERMISSION

DIMENSION UNITS	SCALE	CURRENT REV DESC: REVISED	
mm	10:1		
GENERAL TOLERANCES (UNLESS SPECIFIED)		<b>molex</b> 0.5 FPC CONN. HSG ASSY EASY ON / STRAIGHT (TIN-BISMUTH) PRODUCT CUSTOMER DRAWING	
ANGULAR TOL	± 1.0°		
4 PLACES	± 0.2		
3 PLACES	± 0.25		
2 PLACES	± 0.3		
1 PLACE	± 0.05	EC NO: 637653	
0 PLACES	±	DRWN: TNAKAGAWA01	2020/05/15
DRAFT WHERE APPLICABLE MUST REMAIN WITHIN DIMENSIONS		CHK'D: HSHIMUYAMA	2020/05/15
THIRD ANGLE PROJECTION		APPR: SHOSHIKAWA	2020/05/15
DRAWING		INITIAL REVISION:	
SERIES		DRWN: TRSUZUKI	2005/12/05
MATERIAL NUMBER		APPR: HHIRATA	2005/12/05
CUSTOMER		DOCUMENT NUMBER	
SEE SHEET 1		SD-501951-001	
GENERAL MARKET		DOC TYPE	DOC PART
2 OF 2		PSD	001
SHEET NUMBER		REVISION	
2 OF 2		D	



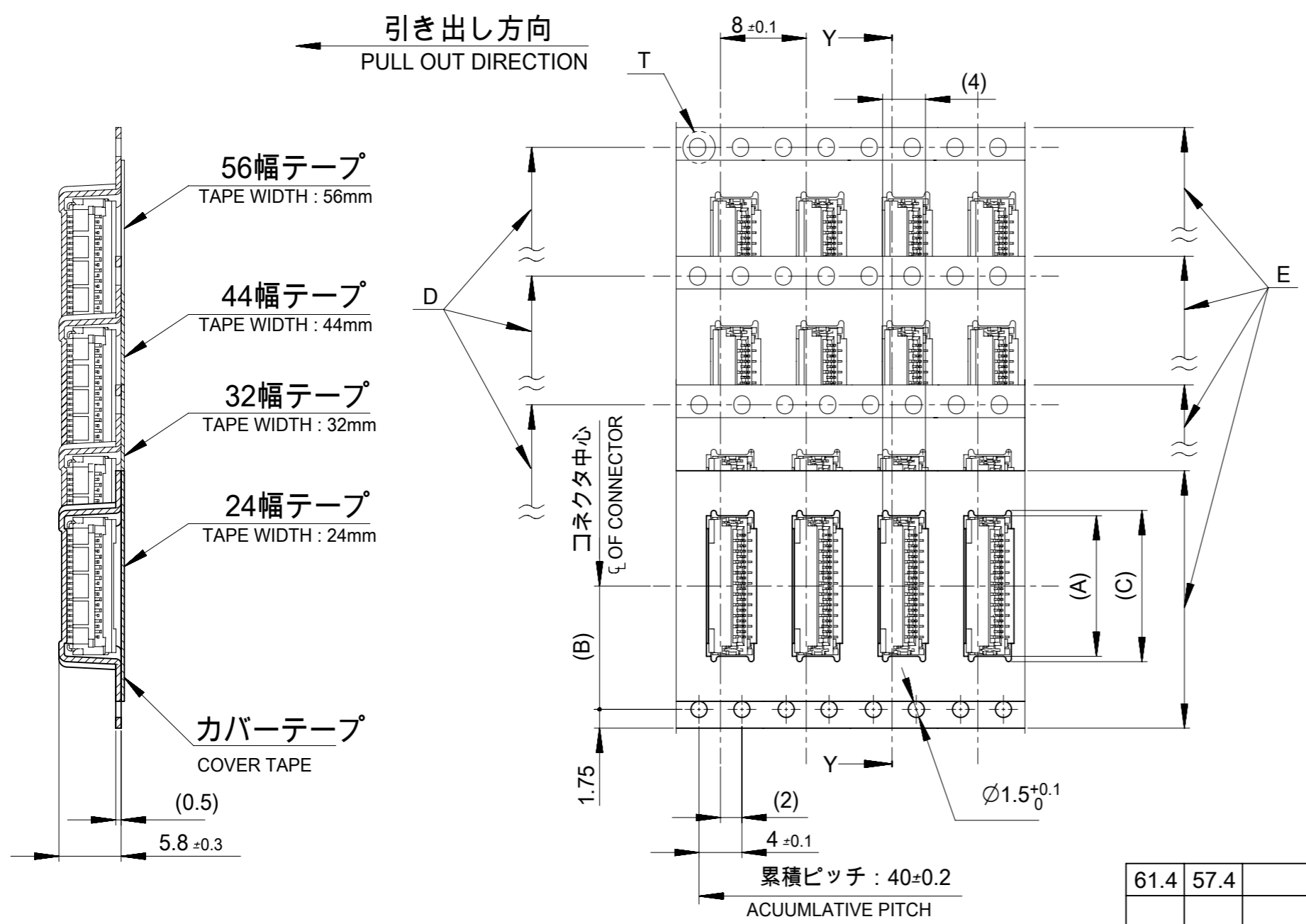
NOTES

- 製品詳細寸法については SD-501951-001を参照下さい。  
FOR DIMENSIONS OF PRODUCT, REFER TO SD-501951-001.
- 梱包数量 : 2000個/リール  
NUMBER OF CONNECTORS : 2000PIECES/REEL
- リードテープ長さ  
LEAD TAPE LENGTH



- カバーテープの剥離強度については、IEC60286-3に準拠。  
COVER TAPE PEEL FORCE IS DEFINED BY IEC60286-3.
- 材料 MATERIAL  
キャリアテープ : ポリスチレン  
CARRIER TAPE : POLYSTYRENE  
カバーテープ : ポリエチレンテレフタレート、ポリエチレン  
COVER TAPE : POLYETHYLENE TEREPHTHALATE , POLYETHYLENE  
リール : ポリスチレン<リサイクル材を含む>  
REEL : POLYSTYRENE<RECYCLE MATERIAL CONTAINED>
- ELV及びRoHS適合品  
ELV AND RoHS COMPLIANT

THIS DRAWING CONTAINS INFORMATION THAT IS PROPRIETARY TO MOLEX ELECTRONIC TECHNOLOGIES, LLC AND SHOULD NOT BE USED WITHOUT WRITTEN PERMISSION									
DIMENSION UNITS		SCALE		CURRENT REV DESC:				<b>molex</b>	
mm		1:1							
GENERAL TOLERANCES (UNLESS SPECIFIED)				EC NO: 615451				0.5 FPC CONN. HSG ASSY	
ANGULAR TOL ± 1.0 °				DRWN: JASANUMA 2019/04/11				E/O STRAIGHT EMBSTP PKG (TIN-BISMUTH)	
4 PLACES ± 0.25				CHK'D: RTAKEUCHI 2019/04/12				PRODUCT CUSTOMER DRAWING	
3 PLACES ± 0.25				APPR: RTAKEUCHI 2019/04/12				DOCUMENT NUMBER	
2 PLACES ± 0.25				INITIAL REVISION:				SD-501951-002	
1 PLACE ± 0.25				DRWN: TRSUZUKI 2005/12/05				DOC TYPE	
0 PLACES ± 0.25				APPR: HHIRATA 2005/12/05				PSD	
DRAFT WHERE APPLICABLE MUST REMAIN WITHIN DIMENSIONS				THIRD ANGLE PROJECTION		DRAWING		DOC PART	
				A3-SIZE		SERIES		REVISION	
				501951		MATERIAL NUMBER		001	
				SEE CHART		CUSTOMER		E	
						SHEET NUMBER		1 OF 2	



SECTION Y-Y

DETAIL T

61.4	57.4	56±0.3	52.4	34.1	26.2	33.1	5019516000	60
49.4	45.4	44±0.3	40.4	29.1	20.2	28.1	5019515000	50
				26.6		25.6	5019514500	45
37.4	33.4	32±0.3	28.4	24.1	14.2	23.1	5019514000	40
				20.1		19.1	5019513200	32
				19.1		18.1	5019513000	30
29.4	25.4	24±0.3	—	15.1	11.5	15.1	5019512400	24
						14.1	5019512200	22
G	F	E CARRIER TAPE WIDTH	D	(C)	(B)	(A)	EMBOSSED PACKAGE ORDER NO.	CIRCUITS

THIS DRAWING CONTAINS INFORMATION THAT IS PROPRIETARY TO MOLEX ELECTRONIC TECHNOLOGIES, LLC AND SHOULD NOT BE USED WITHOUT WRITTEN PERMISSION

DIMENSION UNITS <b>mm</b>	SCALE <b>1:1</b>	CURRENT REV DESC:			<b>molex</b>		
GENERAL TOLERANCES (UNLESS SPECIFIED)		EC NO: 615451					
ANGULAR TOL	± 1.0 °	DRWN: JASANUMA 2019/04/11			PRODUCT CUSTOMER DRAWING		
4 PLACES	± 0.25	CHK'D: RTAKEUCHI 2019/04/12			DOCUMENT NUMBER		
3 PLACES	± 0.25	APPR: RTAKEUCHI 2019/04/12			SD-501951-002		
2 PLACES	± 0.25	INITIAL REVISION:			DOC TYPE	DOC PART	REVISION
1 PLACE	± 0.25	DRWN: TRSUZUKI 2005/12/05			PSD	001	E
0 PLACES	± 0.25	APPR: HHIRATA 2005/12/05			SHEET NUMBER		
DRAFT WHERE APPLICABLE MUST REMAIN WITHIN DIMENSIONS		THIRD ANGLE PROJECTION	DRAWING	SERIES	MATERIAL NUMBER	CUSTOMER	SHEET NUMBER
			A3-SIZE	501951	SEE CHART	GENERAL	2 OF 2