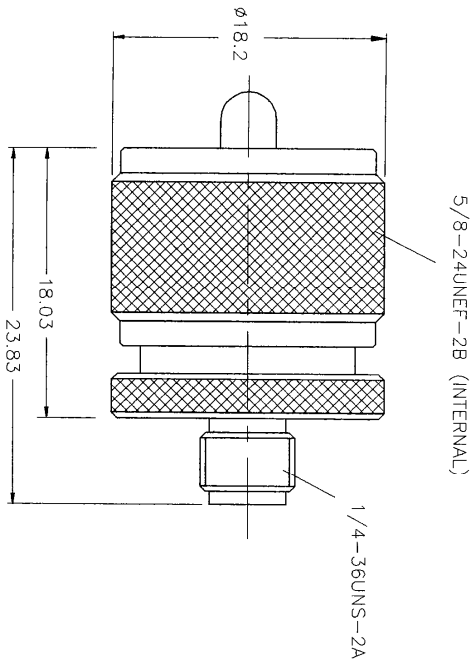


REV.	DATE	DESCRIPTION
NC	1/8/97	INITIAL RELEASE



DESCRIPTION	MATERIAL	FINISH	DIMENSIONS ARE IN MILLIMETERS UNLESS OTHERWISE SPECIFIED TOLERANCES ARE:		APPROVALS	DATE	TITLE	SCALE	PART NO.	DWG. NO.	SHEET	REV.
1 BODY	BRASS	NICKEL	0.5-6 = ± 0.2	DRAWN	G.R.S.	1/8/97	Connex Connector Corporation SMA FEMALE TO UHF MALE ADAPTOR	A	99001	242109	1 OF 1	NC
2 CONTACT PIN (UHF)	BRASS	GOLD	6-30 = ± 0.4	CHECKED								
3 CONTACT PIN (SMA)	PHOS. BRONZE	GOLD	30-120 = ± 0.6	ISSUED								
4 INSULATOR	TEFLON	NATURAL	120-315 = ± 1									
5			315-1000 = ± 1.6									
6			1000-2000 = ± 2.4									
7												
8												

DO NOT SCALE DRAWING