

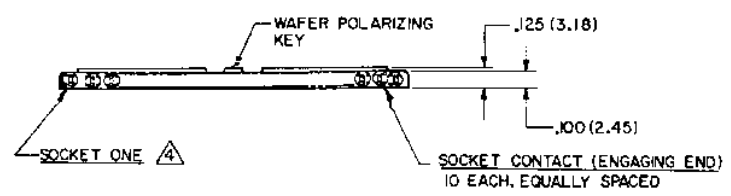
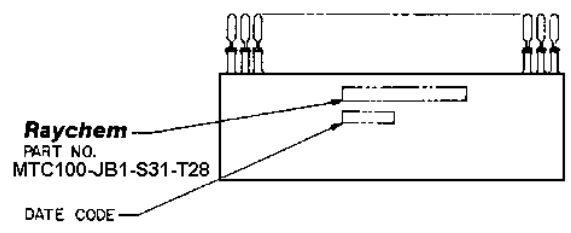
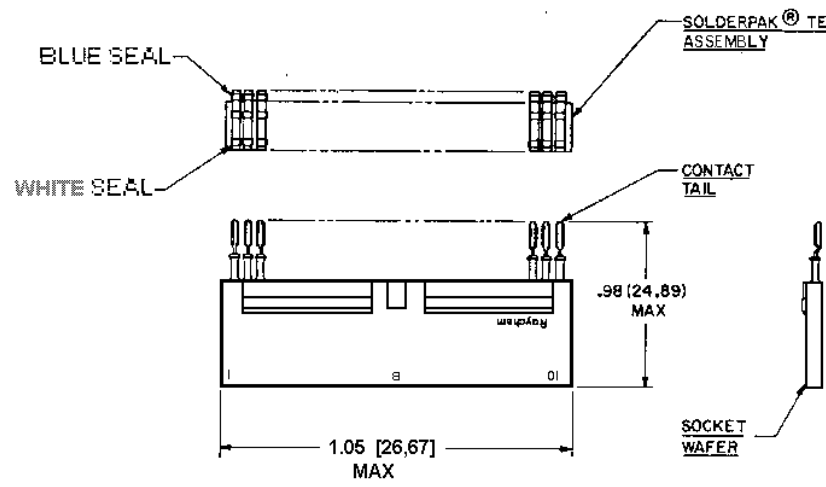
4

3

2

1

REV. SIONS				
ZONE	LTR	DESCRIPTION	DATE	APPROVED
—	A	REVISED PER ECN T.		



⚠ WEIGHT (MAX.):

LBS.	GRAMS
.0054	2.46

⚠ SOCKET ONE: SOCKET NUMBER ONE MARKED IN CONTRASTING COLOR.

3. WAFER: WAFER MEETS THE REQUIREMENTS OF RAYCHEM SPECIFICATION D-6011.

2. FINISH: 2-A SOCKET WAFER; FINISH TO BE AS MOLDED.
 2-B SOCKET CONTACT (ENGAGING END); GOLD PLATE PER MIL-G-45204 CLASS I.
 2-C CONTACT TAIL; COATED WITH SOLDER PER QQ-S-571.

1. MATERIAL: 1-A SOCKET WAFER; HIGH GRADE POLYARYLENE THERMO-PLASTIC.
 1-B SOCKET CONTACT; COPPER ALLOY PER QQ-B-750 (A).
 1-C SOLDERPAK® TERMINATORS ASSY; REFER TO RAYCHEM DWG. CTA-0226 FOR DATA.

NOTES

If this document is printed it becomes uncontrolled.
 Check with the web for latest revision.

DO NOT SCALE THIS DRAWING

© Raychem Corporation 1981

SPECIFICATION CONTROL DRAWING

UNLESS OTHERWISE SPECIFIED DIMENSIONS ARE IN INCHES BRACKETED DIMENSIONS () ARE METRIC AND TOLERANCES ARE: .XXX: ± .005 (0.13 M.M.) .XX: ± .02 (0.51 M.M.) Δ: ± —	DRAWN	D.P.	11-93	Raychem <small>RAYCHEM CORPORATION 200 CONSTITUTION DRIVE MENLO PARK, CALIFORNIA 94025</small> TITLE KIT, 1" SOCKET WAFER "B" WITH SOLDERPAK® TERMINATORS, FOR ROUND WIRE (20-26 AWG), 150°C TEMPERATURE RATING MTC 100 SERIES (SN98)									
	CHECKED	R.H.	11-93										
	APPROVED	<i>[Signature]</i>	11-93										
	APPROVED												
				<table border="1"> <tr> <td>SIZE</td> <td>CODE IDENT</td> <td>DWG. NO.</td> </tr> <tr> <td>C</td> <td>NO. 08090</td> <td>MTC100-JB1-S31-T28</td> </tr> <tr> <td>WEIGHT</td> <td>⚠</td> <td>SHEET 1 OF 1</td> </tr> </table>	SIZE	CODE IDENT	DWG. NO.	C	NO. 08090	MTC100-JB1-S31-T28	WEIGHT	⚠	SHEET 1 OF 1
SIZE	CODE IDENT	DWG. NO.											
C	NO. 08090	MTC100-JB1-S31-T28											
WEIGHT	⚠	SHEET 1 OF 1											
	CAD FILE No.	008069-1.PCX											