

POSITIONS/ CONTACTS	A		B	
	INCH	MM	INCH	MM
02/04	0.100	2.54	0.216	5.48
03/06	0.200	5.08	0.316	8.02
04/08	0.300	7.62	0.416	10.56
05/10	0.400	10.16	0.516	13.10
06/12	0.500	12.70	0.616	15.64
07/14	0.600	15.24	0.716	18.18
08/16	0.700	17.78	0.816	20.72
09/18	0.800	20.32	0.916	23.26
10/20	0.900	22.86	1.016	25.80
11/22	1.000	25.40	1.116	28.34
12/24	1.100	27.94	1.216	30.88
13/26	1.200	30.48	1.316	33.42
14/28	1.300	33.02	1.416	35.96
15/30	1.400	35.56	1.516	38.50
16/32	1.500	38.10	1.616	41.04
17/34	1.600	40.64	1.716	43.58
18/36	1.700	43.18	1.816	46.12
19/38	1.800	45.72	1.916	48.66
20/40	1.900	48.26	2.016	51.20
21/42	2.000	50.80	2.116	53.74
22/44	2.100	53.34	2.216	56.28
23/46	2.200	55.88	2.316	58.82
24/48	2.300	58.42	2.416	61.36
25/50	2.400	60.96	2.516	63.90
26/52	2.500	63.50	2.616	66.44
27/54	2.600	66.04	2.716	68.98
28/56	2.700	68.58	2.816	71.52
29/58	2.800	71.12	2.916	74.06
30/60	2.900	73.66	3.016	76.60
**31/62	3.000	76.20	3.116	79.14
**32/64	3.100	78.74	3.216	81.68
**33/66	3.200	81.28	3.316	84.22
**34/68	3.300	83.82	3.416	86.76
**35/70	3.400	86.36	3.516	89.30
**36/72	3.500	88.90	3.616	91.84
**37/74	3.600	91.44	3.716	94.38
**38/76	3.700	93.98	3.816	96.92
**39/78	3.800	96.52	3.916	99.46
**40/80	3.900	99.06	4.016	102.00

\*\* CONSULT FACTORY FOR PACKAGE IN TAPE & REEL.

**NOTES:**

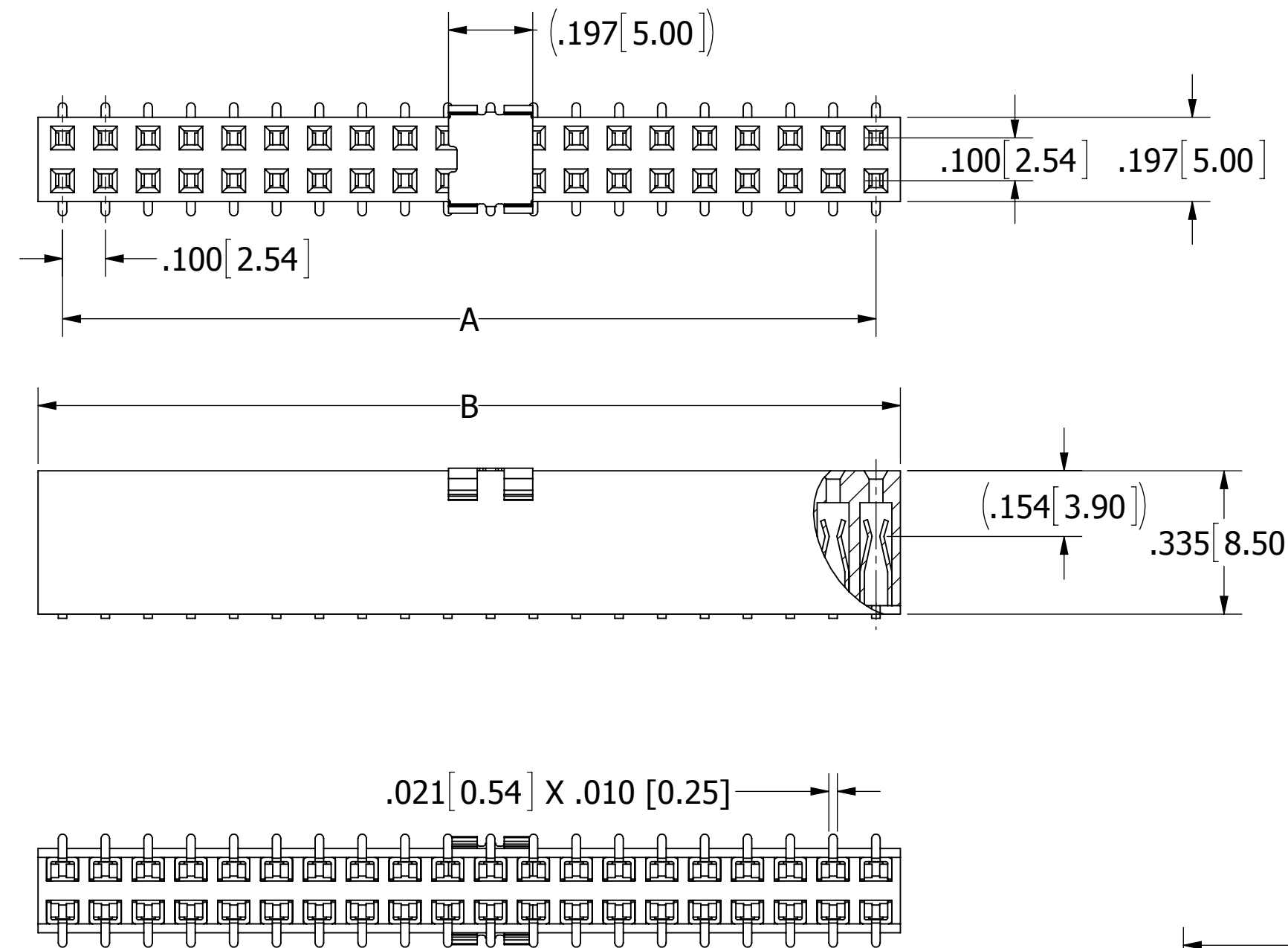
- INSULATOR MATERIAL: NYLON 9T, UL 94V-0, COLOR: BLACK.
- CONTACT MATERIAL: PHOSPHOR BRONZE.
- CONTACT PLATING: .000030" ~ .000050" NICKEL UNDERPLATE, GOLD FLASH OVERALL.
- CURRENT RATING: 3.0 AMPS.
- INSULATOR RESISTANCE: 5000 MEGA OHMS MIN.
- CONTACT RESISTANCE: 20 MILLIOHMS MAX.
- DIELECTRIC WITHSTANDING: 1000V AC.
- OPERATING TEMPERATURE: -40° C TO +105° C.
- \*PROCESSING TEMPERATURE: 230 °C FOR 60 SECONDS MAX.  
(260 °C FOR 10 SECONDS MAX.)
- MATES WITH SULLINS .100[2.54mm] CONTACT CENTER MALE HEADER SERIES (.025[0.64mm] SQUARE POSTS)
- MODIFICATION: WITH PICK AND PLACE CAP IN TAPE AND REEL.
- FOR TOP/BOTTOM ENTRY.
- CONSULT FACTORY FOR THE MATE IF BEING USED AS BOTTOM ENTRY.

\*INDICATED TEMPERATURE AND TIME IS FOR COMPONENT INSULATOR. HIGHER PROCESSING TEMPERATURES MAY BE USED, PROVIDED HEAT IS APPLIED FROM BACK SIDE OF PCB, AND INSULATOR DOES NOT EXCEED INDICATED TEMPERATURE AND TIME.

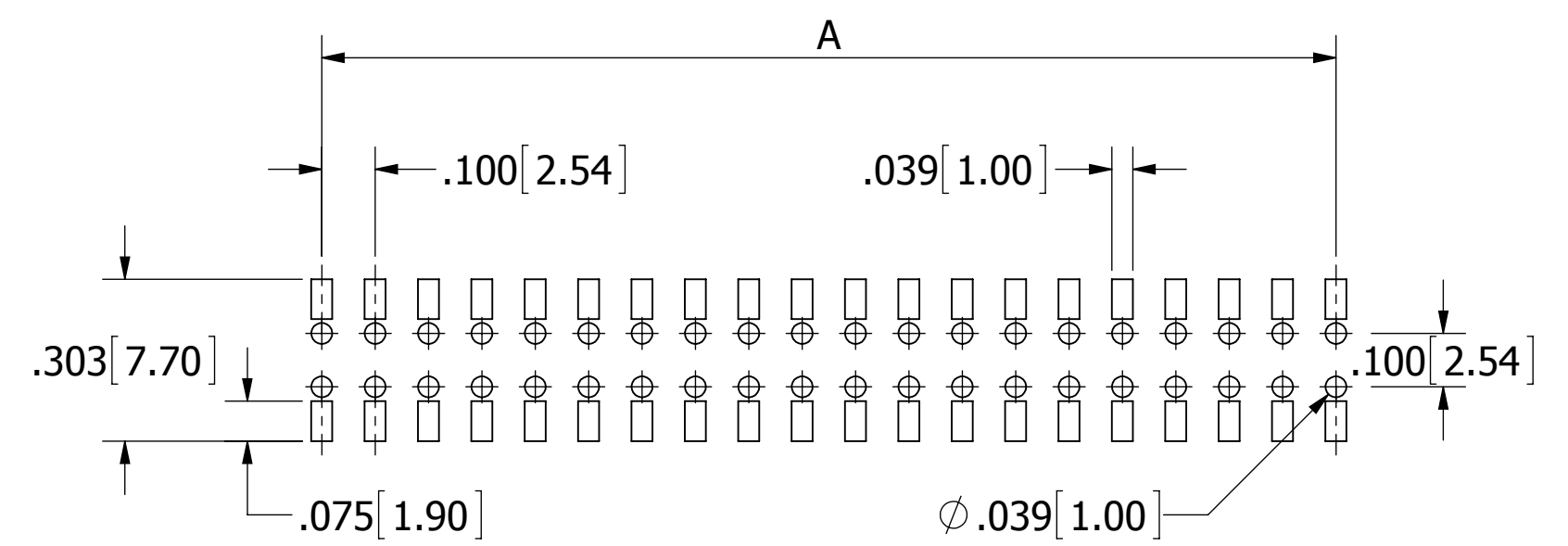
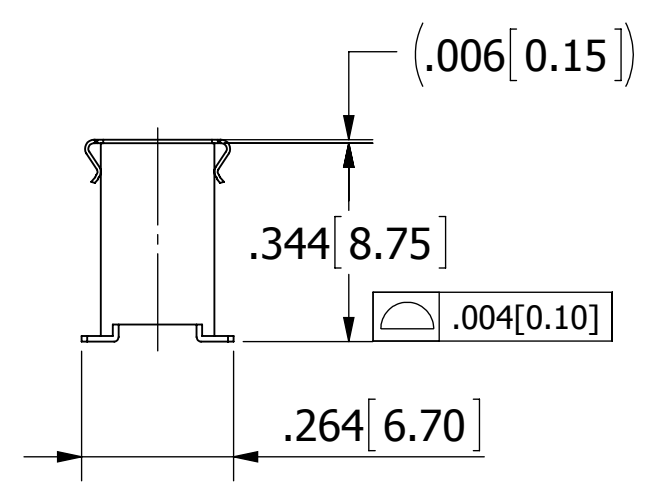
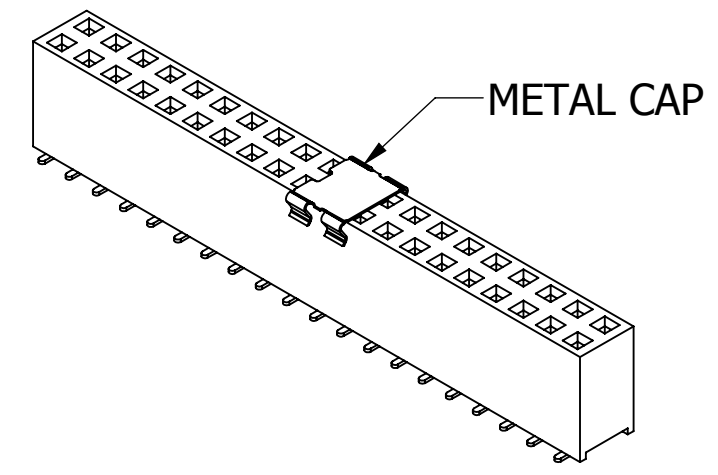
# PART NUMBER CODING

## SFM850-GPPC-D\_\_-SM-BK-M81

**NUMBER OF POSITIONS**  
(CONTACTS PER ROW, 02 THRU 40)



REVISIONS				
REV.	ECO. NO	DESCRIPTION	DATE	BY
B	2817	UPDATE PAGE 2 T& R DIMENSION TABLE	08/13/2013	LH
C	2858	UPDATE TO METAL CAP (WAS PLASTIC)	11/12/2013	LH



**RECOMMENDED PCB LAYOUT**



UNLESS OTHERWISE SPECIFIED: DIMENSIONS ARE IN INCHES [MM]	DRAWN	DATE	NAME	
		05/09/12	LH	
TOLERANCES:	<small>THE INFORMATION HEREIN CONTAINS PROPRIETARY INFORMATION OF SULLINS ELECTRONICS AND IS NOT TO BE REPRODUCED, USED OR DISCLOSED TO OTHERS FOR ANY PURPOSE EXCEPT AS SPECIFICALLY AUTHORIZED IN WRITING BY AN OFFICER OF SULLINS ELECTRONICS.</small>			TITLE
ANGULAR:				HEADER FEMALE .100[2.54mm] PITCH, 2 ROWS, W/T&R
DECIMALS				PART NUMBER
.XX = ± .012 [3]				SFM850-GPPC-D__-SM-BK-M81
.XXX = ± .008 [20]	SIZE	CAGE CODE	DWG. NO.	REV
.XXXX = ± .0040 [100]	C	54453	12043	C
	SCALE: 3:1	SHEET 1 OF 2		

- NOTE:**
1. CUMULATIVE PITCH TOLERANCE FOR 10 SPROCKET HOLES IS  $\pm 0.20\text{mm}$ .
  2. CARRIER CAMBER IS 1mm IN 100mm.
  3. A0 AND B0 MEASURED ON A PLANE 0.3mm ABOVE THE BOTTOM OF THE POCKET.
  4. K0 MEASURED FROM A PLANE ON THE INSIDE BOTTOM OF THE POCKET TO THE TOP SURFACE OF THE CARRIER.
  5. PACKING CONFORMS EIA-481-2 STANDARDS.
  6. ONE  $\phi 13"$  REEL = 7 METER (OVERALL LENGTH OF TAPE), 400 PIECES.

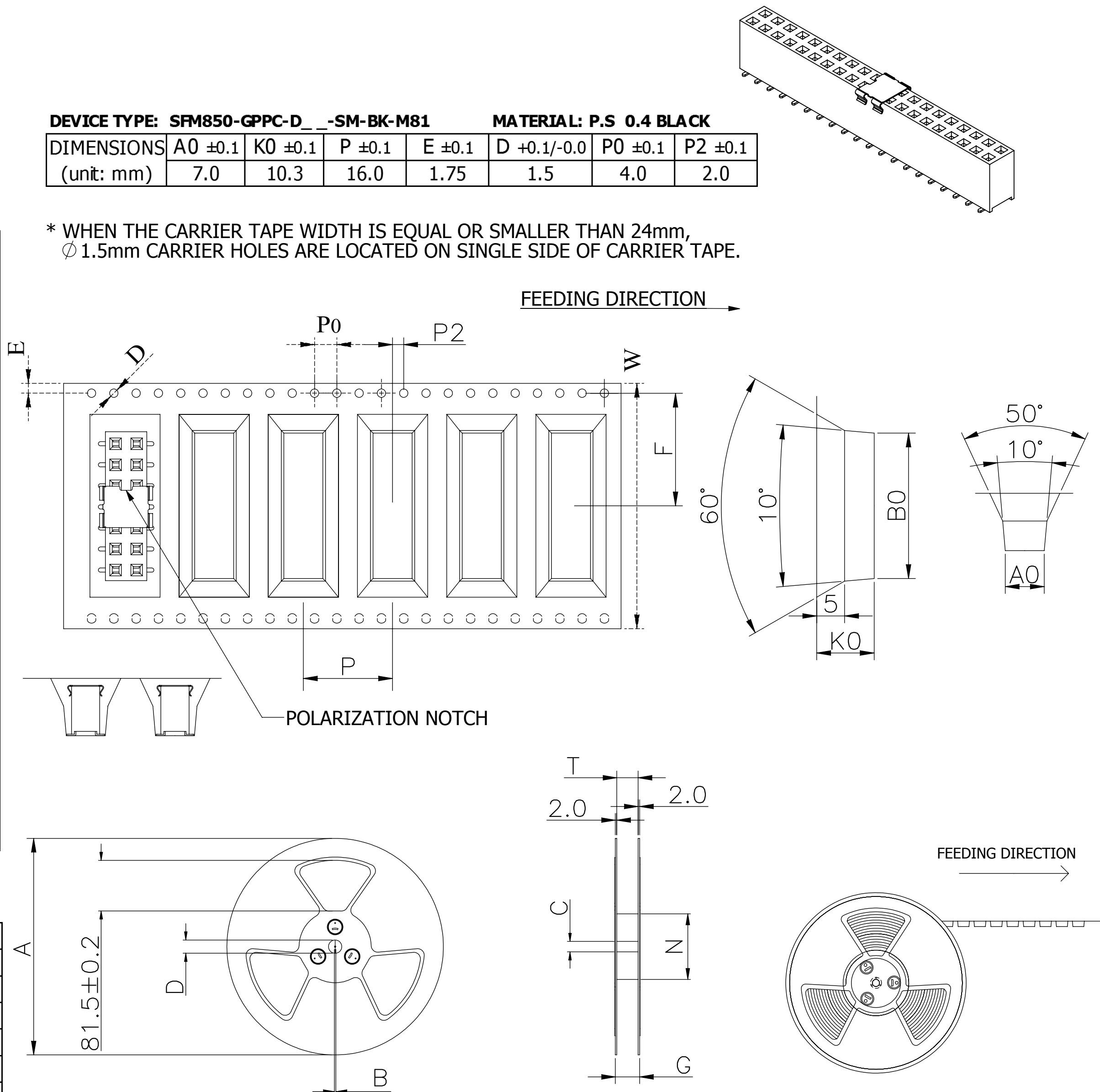
**DEVICE TYPE: SFM850-GPPC-D\_\_-SM-BK-M81 MATERIAL: P.S 0.4 BLACK**

DIMENSIONS	A0 $\pm 0.1$	K0 $\pm 0.1$	P $\pm 0.1$	E $\pm 0.1$	D $+0.1/-0.0$	P0 $\pm 0.1$	P2 $\pm 0.1$
(unit: mm)	7.0	10.3	16.0	1.75	1.5	4.0	2.0

\* WHEN THE CARRIER TAPE WIDTH IS EQUAL OR SMALLER THAN 24mm,  
 $\phi 1.5\text{mm}$  CARRIER HOLES ARE LOCATED ON SINGLE SIDE OF CARRIER TAPE.

POSITIONS/ CONTACTS	DIMENSIONS (unit: mm)			POSITIONS/ CONTACTS	DIMENSIONS (unit: mm)		
	W	B0	F		W	B0	F
02/04	24	5.78	11.50	20/40	72	51.50	34.25
03/06	24	8.32	11.50	21/42	72	54.04	34.25
04/08	24	10.86	11.50	22/44	72	56.58	34.25
05/10	32	13.40	14.25	23/46	72	59.12	34.25
06/12	32	15.94	14.25	24/48	72	61.66	34.25
07/14	32	18.48	14.25	25/50	88	64.20	42.25
08/16	44	21.02	20.25	26/52	88	66.74	42.25
09/18	44	23.56	20.25	27/54	88	69.28	42.25
10/20	44	26.10	20.25	28/56	88	71.82	42.25
11/22	44	28.64	20.25	29/58	88	74.36	42.25
12/24	44	31.18	20.25	30/60	88	76.90	42.25
13/26	44	33.72	20.25				
14/28	56	36.26	26.25				
15/30	56	38.80	26.25				
16/32	56	41.34	26.25				
17/34	56	43.88	26.25				
18/36	56	46.42	26.25				
19/38	72	48.96	34.25				

DIMENSIONS (unit: mm)							CARRIER TAPE
A	B $\pm 0.5$	C $\pm 0.2$	D $\pm 1.0$	N $\pm 1.0$	T $\pm 0.1$	G $\pm 0.1$	W
330	2.2	13	20.2	100	8.5	13.1	8
330	2.2	13	20.2	100	12.5	17.1	12
330	2.2	13	20.2	100	17.0	21.1	16
330	2.2	13	20.2	100	24.5	29.1	24
330	2.2	13	20.2	100	32.5	37.0	32
330	2.2	13	20.2	100	44.5	49.1	44
330	2.2	13	20.2	100	56.5	61.1	56
330	2.2	13	20.2	100	72.5	77.1	72
330	2.2	13	20.2	100	88.5	93.1	88



UNLESS OTHERWISE SPECIFIED:  
DIMENSIONS ARE IN MM

TOLERANCES:  
ANGULAR:  
DECIMALS  
.X =  $\pm 0.3$   
.XX =  $\pm 0.20$   
.XXX =  $\pm 0.100$

DRAWN	DATE	NAME		
	05/09/12	LH		
<small>THE INFORMATION HEREIN CONTAINS PROPRIETARY INFORMATION OF SULLINS ELECTRONICS AND IS NOT TO BE REPRODUCED, USED OR DISCLOSED TO OTHERS FOR ANY PURPOSE EXCEPT AS SPECIFICALLY AUTHORIZED IN WRITING BY AN OFFICER OF SULLINS ELECTRONICS.</small>			<b>TITLE</b> HEADER FEMALE .100[2.54mm] PITCH, 2 ROWS, W/T&R	
			<b>PART NUMBER</b> SFM850-GPPC-D__-SM-BK-M81	
SIZE	CAGE CODE	DWG. NO.	REV	
C	54453	12043	C	
SCALE: 2:1		SHEET 2 OF 2		