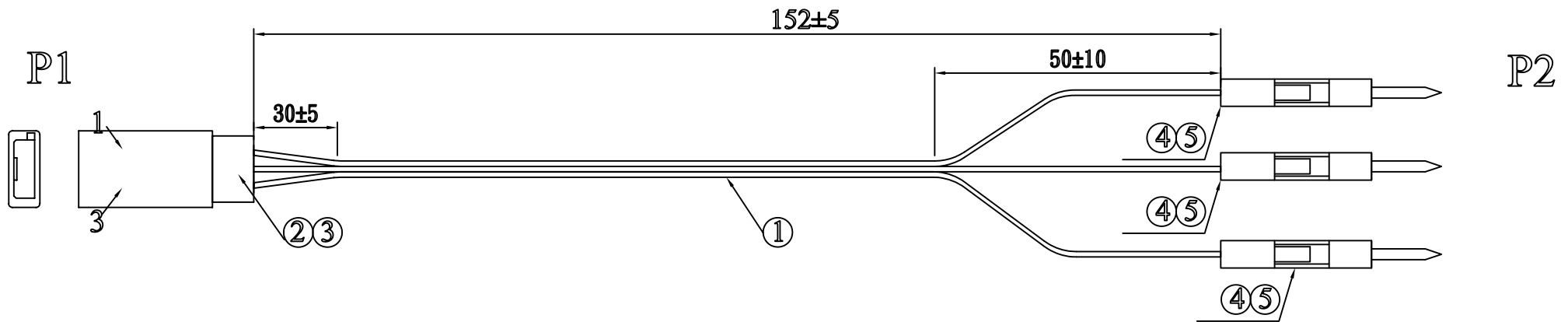


REV	ECRN	DATE
1	NEW PRODUCTION	20211014



接线示意图

P1		P2
1	yellow	yellow
2	red	red
3	brown	black

- NOTES:
1. ELECTRICAL TEST: 100% OPEN, SHORT & MIS WIRE TEST.
 2. CONDUCTOR RESISTANCE: 2 ohm,
 3. INSULATOR RESISTANCE: 5M ohm.
 4. HIGH VOLTAGE: DC 300V 0.01sec.
 5. MUST BE ROHS COMPLIANT.

NO.	PART NO	ITEM	DESCRIPTION	Q' TY	UNIT
⑤		HOUSING	DUPONT 2.54-H01 BLACK	3	PCS
④		TERMINAL	Dupont 2.54mm MALE TERMINAL	3	PCS
③		HOUSING	JR-FU 25408HS-3P HOUSING COLOR:BLACK	2	PCS
②		TERMINAL	Dupont 2.54mm MALE TERMINAL	3	PCS
①		CABLE	UL1007 28AWG(7/0.16TC)*3PIN COLOR:BROWN RED YELLOW JACKET:PVC 70P OD:1.35*4.35 L=170mm	1	PCS

RoHS COMPLIANT		东莞市博帆科技有限公司 DongGuan BoFan Electronics Co.,Ltd TEL:076938835098/38835095 FAX:076938835091	
DRAWN BY		比例: FREE	TITLE: MOLEX 2.54 3PIN TO DUPONT 2.54
CHECKED BY		单位: mm	SUPPLIER`S ITEM: 9.00ACCA3359.000R
APPROVED BY			CUSTOMER: SPARK FUN
			CUSTOMER`S ITEM:
		DRAWING NO. ACCA-3359	DATE 2021.10.14