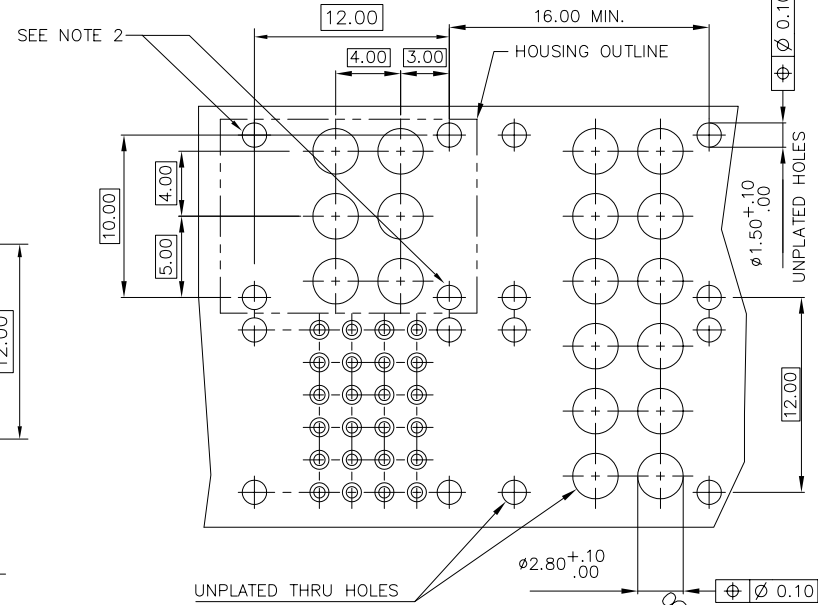
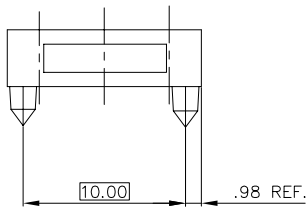
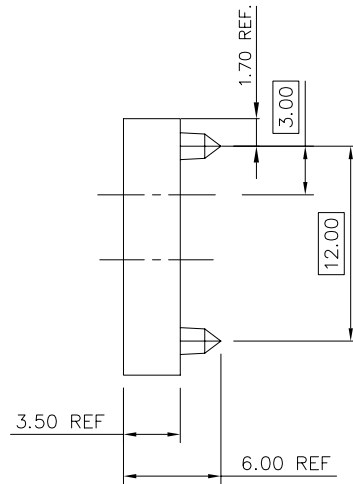
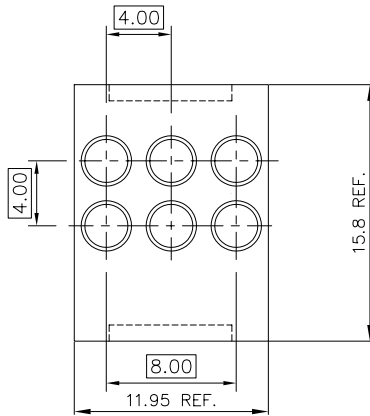


PRODUCT NUMBER
98099-101



RECOMMENDED HOLE PATTERN COMPONENT SIDE
2MM SIGNAL HOLE PATTERN SHOWN FOR REFERENCE ONLY

NOTES:

1. MATERIAL: LCP, 30% GLASS FILLED
COLOR: NATURAL
FLAME RETARDANT ACC. UL 94-V0
2. THESE HOLES NEEDED WHEN USED IN A CENTER PLANE APPLICATION WITH A HYBRID ON EACH SIDE OF THE CENTER PLANE.
3. THE -101 HOUSING IS TO BE USED WITH MINI-COAX PLUG/PLUG INSERTS, 70296-002.
- ④ ADD LF SUFFIX AT THE END OF PART NUMBER FOR LEAD FREE OPTION.

5. THIS PRODUCT MEETS EUROPEAN UNION DIRECTIVES AND OTHER COUNTRY REGULATION AS DESCRIBED IN GS-22-008.
6. THE HOUSING WILL WITHSTAND EXPOSURE TO 260°C PEAK TEMPERATURE FOR 15 SECONDS IN A WAVE SOLDER APPLICATION WITH A 1.5mm MINIMUM THICK CIRCUIT BOARD OR FOR 10-20 SECONDS IN A CONVECTION, INFRA-RED OR VAPOR PHASE REFLOW OVEN. SEE APPLICATION NOTES/PROCEDURES IF THEY ARE AVAILABLE.

mat'l. code		surface		tolerance		projection		product family	
14		✓				⊕		METRAL (tm)	
ltr		ecn no		date		tolerances unless otherwise specified		title	
A		V90642		MDF 5/18/99		.0±.3		MINI-HYBRID HDR. KEYING MOD.	
B		M06-0093		MHT 2/24/06		linear .00±.13		4. R., W/O WALLS, 12 mm	
C		M06-0165		MHT 5/02/06		0°±2'		scale 1.75:1	
		dr		M.FETROW 3/11/99				dwg no	
		enr		R.DOUTRICH 3/11/99				sheet 1 of 1 size	
		chr		R.DOUTRICH 3/11/99				98099 A3	
		appd		R.DOUTRICH 3/11/99				type CUSTOMER Drawing	
sheet index		revision sheet		C 1					



Copyright FCI