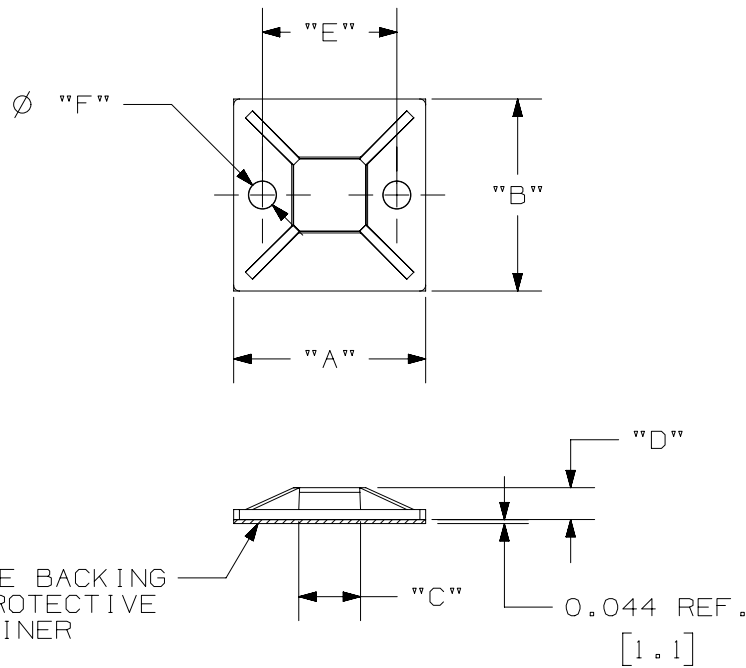


THIS COPY IS PROVIDED ON A RESTRICTED BASIS AND IS NOT TO BE USED IN ANY WAY DETRIMENTAL TO THE INTERESTS OF PANDUIT CORP.

PANDUIT PART NO.	DIM "A" INCH [mm]	DIM "B" INCH [mm]	DIM "C" INCH [mm]	DIM "D" INCH [mm]	DIM "E" REF. INCH [mm]	DIM "F" REF. INCH [mm]
SMP12A	0.79 [20.0]	0.79 [20.0]	0.21 [5.4]	0.24 [6.1]	0.55 [14.0]	0.10 [2.6]
SMP16A	1.00 [25.0]	1.00 [25.0]	0.25 [6.5]	0.30 [7.5]	0.67 [17.0]	0.13 [3.3]
SMP18A	1.18 [30.0]	1.18 [30.0]	0.28 [7.0]	0.34 [8.7]	0.79 [20.0]	0.18 [4.5]



NOTE:
SEE WWW.PANDUIT.COM FOR PART NUMBER SUFFIX DESIGNATION FOR PACKAGE SIZE, PART MATERIAL, PART COLOR AND THIRD PARTY RECOGNITION OR COMPLIANCE.

PART NUMBER		SEE TABLE	
TITLE		STRONGHOLD MOUNTS ADHESIVE APPLIED	
CUSTOMER DRAWING			
ITEM REVISION NAME	00586EBA/01		
DATASET FILE NAME	00586EBA_DC/01A		
MATERIAL		 THIRD ANGLE PROJECTION	DRAWING NUMBER
NYLON 6/6			00586EBA_DC
DRAWN BY	DATE	CHK	SCALE
JBN	02-21-20	BMAG	NONE
REV	DATE	BY	CHK
00A	03-10-20	JBN	BMAG
01A	07-30-20	JBN	BMAG
DESCRIPTION		APR	SIZE
B. REVISED HOLE DIA TO 0.13 [3.3] WAS 0.138 [3.50] A. REVISED HOLE DIA TO 0.10 [2.6] WAS 0.114 [2.90]		RELEASED	A
ECN	076845 rev.01	076845	
SHEET 1 OF 1			

A-SIZE CUSTOMER