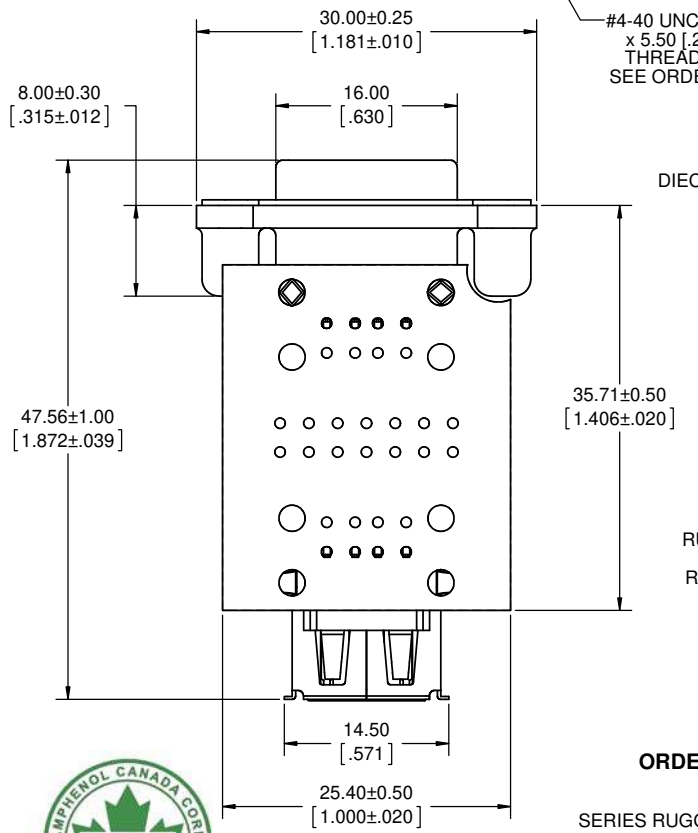
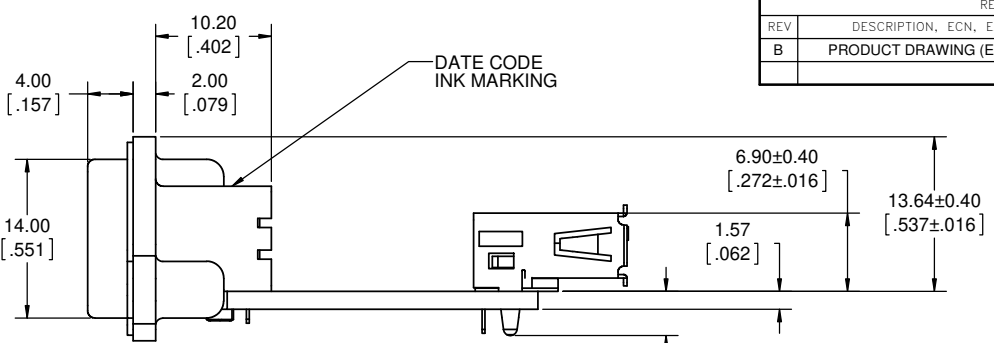
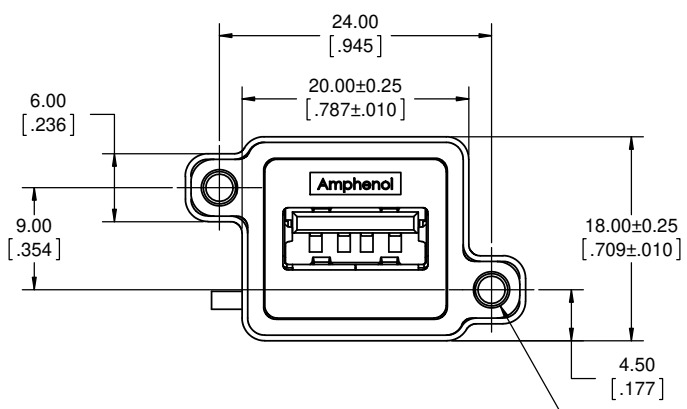
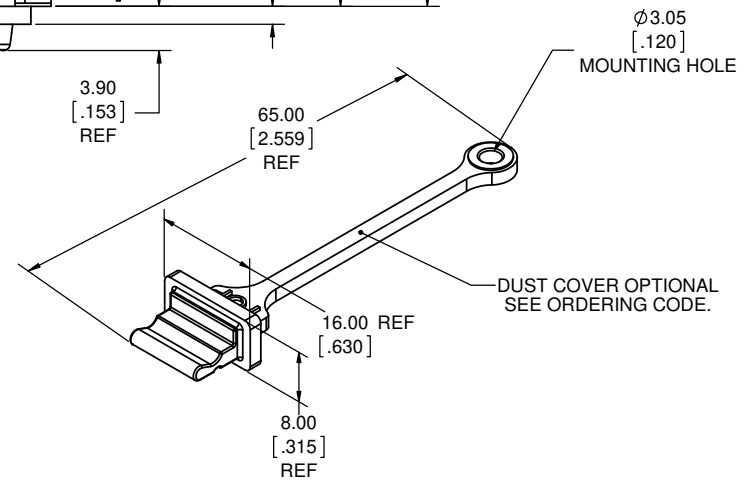
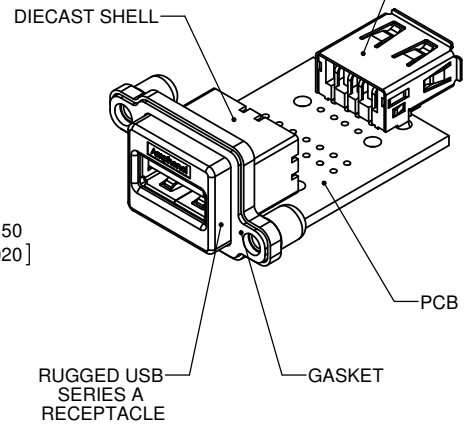


REVISIONS			
REV	DESCRIPTION, ECN, EAR NO.	DATE	APP'D
B	PRODUCT DRAWING (EAR 14309)	SEP16/14	K.L.



#4-40 UNC OR M3 x 0.5 x 5.50 [.217] DEEP THREADED HOLES SEE ORDERING CODE



NOTES

- MATERIAL**
 - ALL MATERIALS USED ARE RoHS COMPLIANT PER EU DIRECTIVE 2011/65/EU AND AMENDMENTS.
 - OUTER SHELL - DIECAST ZINC ALLOY, NICKEL PLATED.
 - CONTACTS - PHOSPHOR BRONZE, PLATED WITH 0.76 MICRONS (30 MICROINCHES) GOLD OVER 1.27 MICRONS (50 MICROINCHES) MINIMUM NICKEL ON THE MATING AREA WITH MATTE TIN OVER NICKEL ON THE TAILS.
 - USB HOUSING - ENGINEERING THERMOPLASTIC, FLAMMABILITY RATING UL94V-0, BLACK.
 - USB SHIELD - STAINLESS STEEL, PASSIVATED.
 - BACK COVER - COPPER ALLOY, NICKEL PLATED.
 - GASKET - SILICONE RUBBER, BLACK.
 - PCB - FR4 FIBREGLASS, LEAD FREE.
 - MATCHING USB CONNECTOR - HOUSING AND CONTACT MATERIALS SAME AS ABOVE. SHIELD IS NICKEL PLATED COPPER ALLOY.
 - DUST COVER - SILICONE RUBBER WITH NICKEL PLATED BRASS BUSHING. SEE ORDERING CODE FOR MORE DUST COVER OPTIONS.
- ENVIRONMENTAL PERFORMANCE PER IEC 60529 CODE IP67 FOR SEAL BETWEEN MATING AREA AND PCB SIDE OF CONNECTOR. GASKET PROVIDES SEAL TO INSIDE FACE OF ENCLOSURE PANEL. AVAILABLE DUST COVER PROVIDES ADDITIONAL PROTECTION.
- CURRENT RATING: 1.5 AMPERES
- CONTACT RESISTANCE: 80 MILLIOHMS MAXIMUM (SUBJECT TO VERIFICATION)
- OPERATING TEMPERATURE: -40°C TO +105°C
- DUST COVERS MAY BE ORDERED SEPARATELY, SPECIFY
 - MUSB-2A111-014BP FOR GREY DUST COVER
 - MUSB-2A111-024BP FOR BLACK DUST COVER
 SEE SHEET 2 FOR APPLICATION VIEW

ORDERING CODE: MUSB - A311 - XX

- SERIES RUGGED USB
- USB SERIES 'A' RECEPTACLE, RIGHT ANGLE ON PCB WITH MATCHING RIGHT ANGLE USB RECEPTACLE
- THREAD OPTION
 - 3 = #4-40 UNC THREAD
 - M = M3 x 0.5 THREAD
- DUST COVER OPTION
 - 0 = NO DUST COVER SUPPLIED
 - 1 = WITH GREY DUST COVER SUPPLIED
 - 5 = WITH BLACK DUST COVER SUPPLIED



SPECIAL CONNECTORS
MANY UNIQUE FEATURES ARE READILY AVAILABLE TO SUIT CUSTOMER REQUIREMENTS. CONSULT WITH AMPHENOL CANADA FOR DETAILS

UNLESS SPECIFIED OTHERWISE	DRAWN	S. SEMENOV	JAN15/06
PRIMARY UNITS MILLIMETERS	CHECKED		
SECONDARY UNITS INCHES	M.E. APP'D		
REFERENCE IN PARENTHESES	Q.A. APP'D		
GENERAL TOLERANCES	DWG APPR.	A. GREEN	JAN15/06
1 DECIMAL PLACE	ENG. REL. NO.		
2 DECIMAL PLACES ±0.15	REF.		
3 DECIMAL PLACES	THIRD ANGLE PROJECTION		
ANGULAR DEGREES	DO NOT SCALE DRAWING		

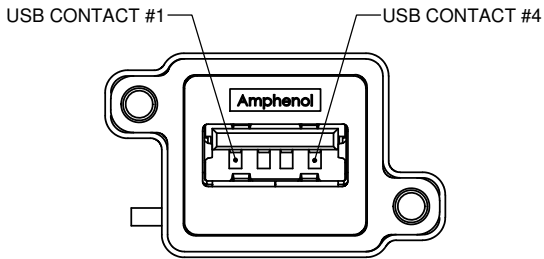
Amphenol Canada Corp.
www.amphenolcanada.com

MUSB SERIES USB RECEPTACLE, SERIES A, ON PCB WITH RIGHT ANGLE USB RECEPTACLE, THREAD & DUST COVER OPTIONS, RoHS COMPLIANT

DWG. NO. **P-MUSB-A311-XX** REV **B**

CODE ID NO. 03554 DWG SIZE: X SCALE: NTS SHEET 1 OF 2

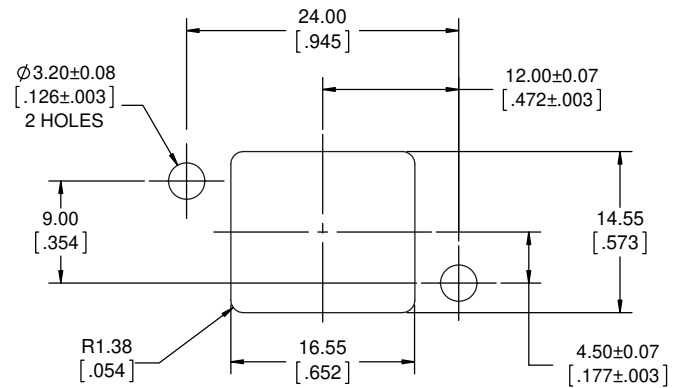
REVISIONS			
REV	DESCRIPTION, ECN, EAR NO.	DATE	APP'D
B	PRODUCT DRAWING (EAR 14309)	SEP16/14	K.L.



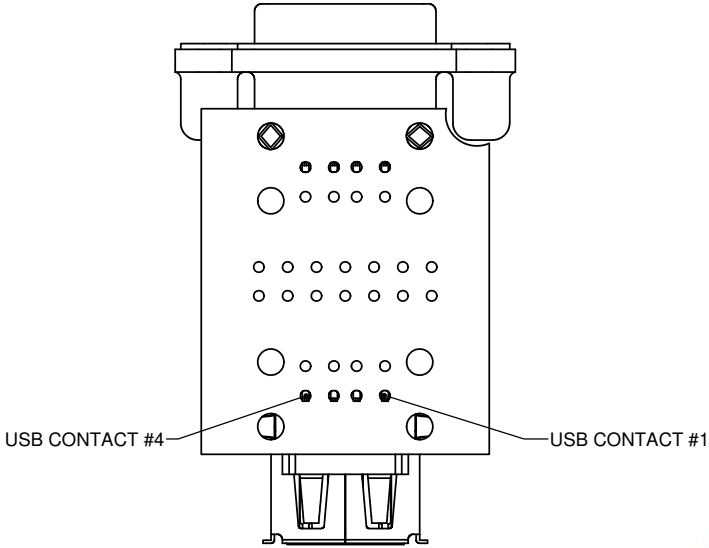
MUSB CONTACT ASSIGNMENT

MUSB TO USB CONNECTION CHART

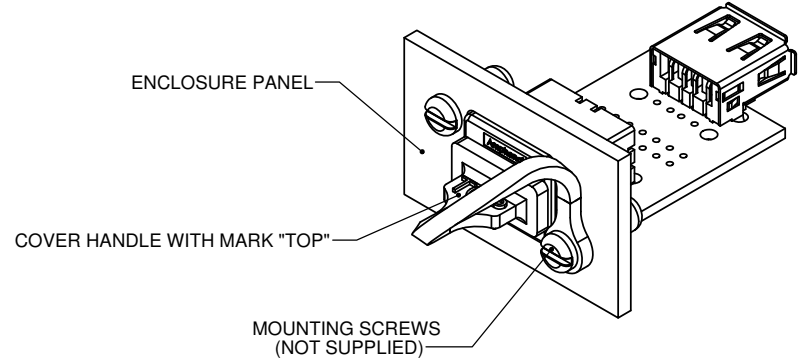
MUSB CONNECTOR CONTACTS	MATCHING USB RECEPTACLE
SHELL / GROUND	SHIELD / GROUND
1	1
2	2
3	3
4	4



**RECOMMENDED PANEL CUTOUT
OUTSIDE VIEW OF PANEL**



USB CONTACT ASSIGNMENT



DUST COVER APPLICATION VIEW



UNLESS SPECIFIED OTHERWISE	DRAWN	S. SEMENOV	JAN15/06
PRIMARY UNITS MILLIMETERS	CHECKED		
SECONDARY UNITS INCHES	M.E. APP'D		
REFERENCE IN PARENTHESES	Q.A. APP'D		
GENERAL TOLERANCES	DWG APPR.	A. GREEN	JAN15/06
1 DECIMAL PLACE	ENG. REL. NO.		
2 DECIMAL PLACES ±0.15	REF.		
3 DECIMAL PLACES	THIRD ANGLE PROJECTION		
ANGULAR DEGREES	DO NOT SCALE DRAWING		

Amphenol Canada Corp.
www.amphenolcanada.com
MUSB SERIES USB RECEPTACLE, SERIES A, ON PCB WITH RIGHT ANGLE USB RECEPTACLE, THREAD & DUST COVER OPTIONS, RoHS COMPLIANT

DWG. NO. **P-MUSB-A311-XX** REV **B**

CODE ID NO. 03554 DWG SIZE: X SCALE: NTS SHEET 2 OF 2