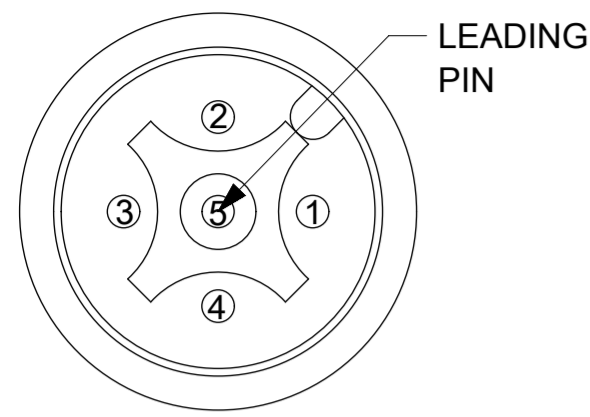


5P M12 MALE



VIEW FROM FRONT SIDE

PIN	WIRE COLOR
1	TERMINAL
2	TERMINAL
3	BLUE
4	BROWN
5	GREEN/YELLOW BLACK

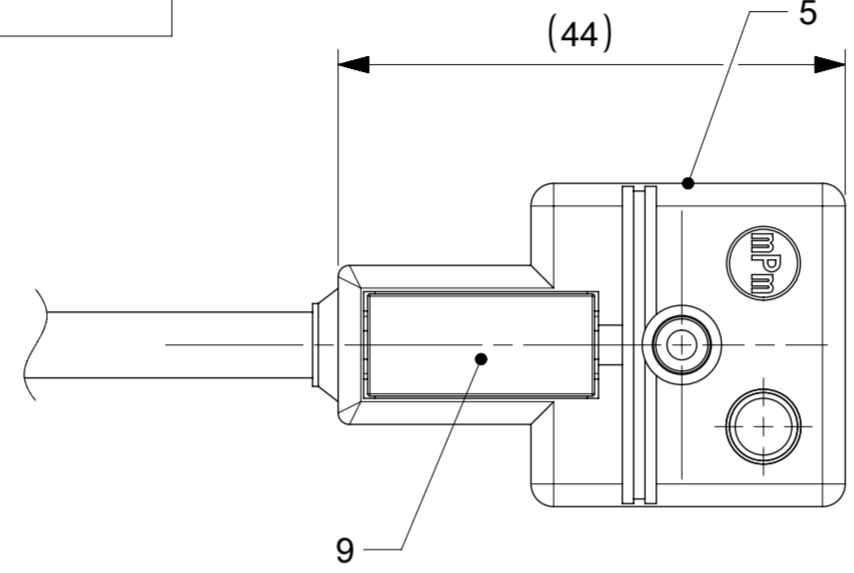
ENGINEERING NO. - NUMERICAL CODE (Available parts see PART LIST table. Others parts available upon request).

E 8 5 0 B 2 X X X X X X X X

OPTIONS

- 8=MMC Single Keyway
- 5=5 Poles
- E=Form A (18mm contact spacing)
- OB2 = Standard Wiring Yellow LED/VDR/24 Volts MaIr 90°
- Cable type: See Table
- Units: M=Meter F=Feet
- Length Examples: 005=0.5 units 010=1 units 100=10 units

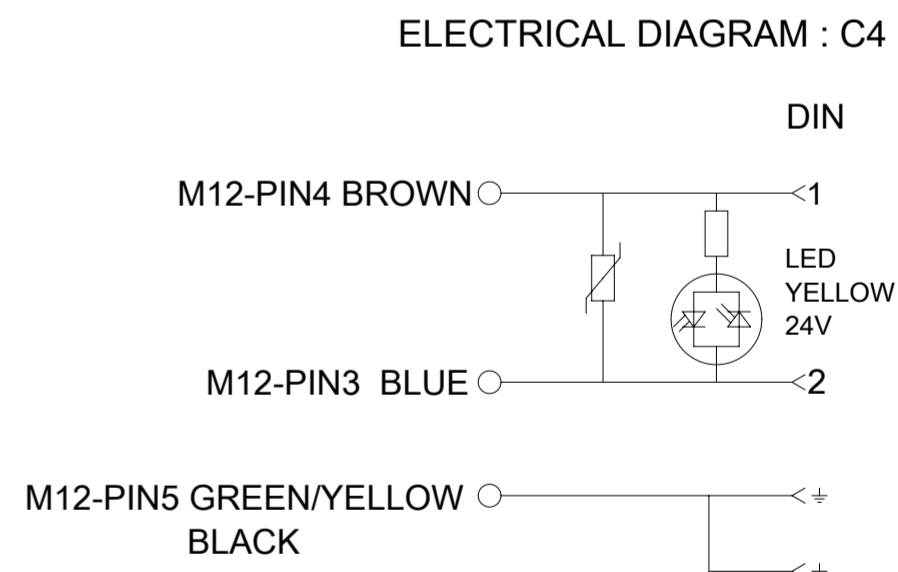
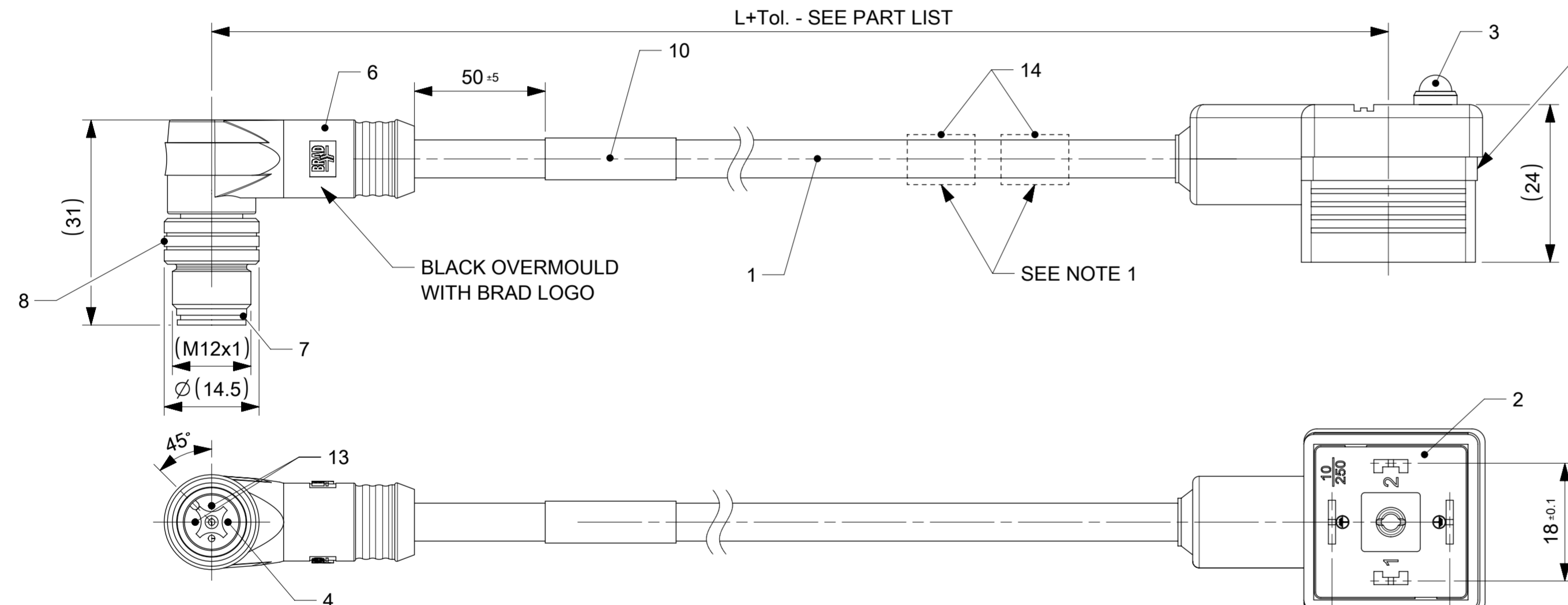
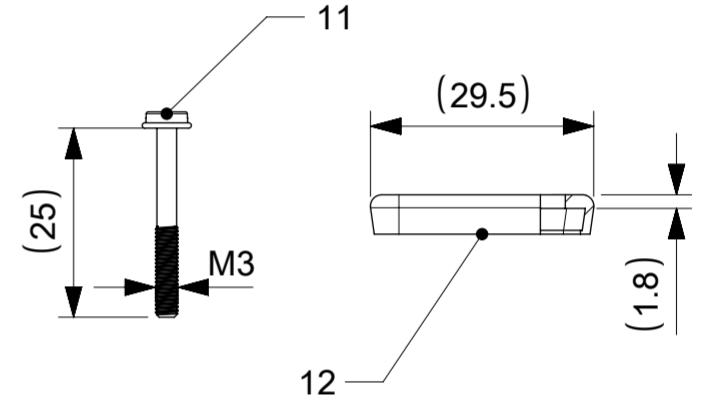
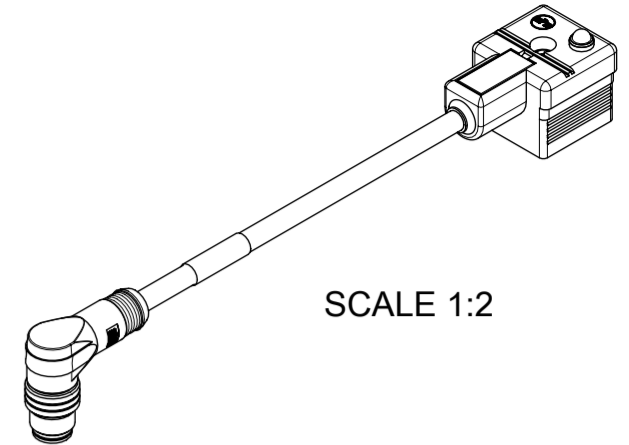
Product Specification:
 Voltage: 24V
 Current max: 4A
 Operating Temperature: -25°C +85°C



Overmold color:
 Blank = Black PUR (STANDARD)
 A=Grey / G=Black / Y=Yellow

Coupling Nut:
 Blank = Standard
 1= Stainless steel
 5= Derlin
 7= Teflon Coated

H= 2 pcs. of I/D Carrier PVC Transparent
 (Cables lxx always with 2 pcs. I/D Carrier)



CUSTOMER PRODUCT APPROVAL
 APPROVED BY: _____
 DATE: _____
 MUST BE SIGNED AND RETURNED BEFORE PRODUCTION WILL BEGIN

Table of length tolerances [mm]

Over	Up to and including	Tolerance
0	1000	±20
1000	3000	±30
3000	5000	±40
5000	10000	±50
10000	15000	±100
15000	20000	±150
20000		±L/100

THIS DRAWING CONTAINS INFORMATION THAT IS PROPRIETARY TO MOLEX ELECTRONIC TECHNOLOGIES, LLC AND SHOULD NOT BE USED WITHOUT WRITTEN PERMISSION

DIMENSION UNITS: mm SCALE: 1:1

GENERAL TOLERANCES (UNLESS SPECIFIED): ANGULAR TOL ± 1.0°

EC NO: 663026
 DRWN: SKANDB
 CHK'D: GGA
 APPR: GGA

INITIAL REVISION:
 DRWN: SSM
 APPR: RSILLER

2021/04/08
 2021/05/13
 2018/07/25
 2018/07/26

molex

DIN/MMN 5P 24V MM 90 XM XXX

PRODUCT CUSTOMER DRAWING

DOCUMENT NUMBER: 1210360210
 DOC TYPE: PSD
 DOC PART: 000
 REVISION: A2

MATERIAL NUMBER: SEE SHEET 2
 CUSTOMER: GENERAL MARKET
 SHEET NUMBER: 1 OF 2

BOM

ITEM No.	QTY.	DESCRIPTION	MATERIAL	FINISH/COLOR
1	-	CABLE	SEE CABLE LIST	SEE CABLE LIST
2	1	MOUNTED INSERT ASSEMBLY	-	BLACK
3	1	PCB WITH COMPONENT	-	-
4	3	CONTACT MALE	BRASS	SELECTIVE GOLD OVER NICKEL
5	-	DIN MOULD COMPOUND	PP	BLACK
6	1	OVERMOULD	SEE MATRIX	SEE MATRIX
7	1	MALE INSERT	PUR	BLACK
8	1	M12 MALE COUPLING NUT	BRASS	Ni-PLATED
9	1	LABEL;PLASTIC	PLASTIC	WHITE
10	1	LABEL WRAP	VINYL	YELLOW
11	1	SCREW	-	-
12	1	GASKET	NBR	BLACK
13	1	PVC LINE TER	PVC	-
14	0/2	2x ID CARRIER	-	-


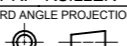
PART LIST

MOLEX P/N	ENGINEERING No.	LENGTH(mm)
1210360711	E850B2A23M005	500
1210360713	E850B2A23M007	700
1210360719	E850B2A23M017	1700
1210360720	E850B2A23M020	2000
1210360496	E850B2B08M030	3000
1210360897	E850B2B31M006	600
1210360898	E850B2B31M010	1000
1210360899	E850B2B31M015	1500
1210360900	E850B2B31M030	3000
1210360678	E850B2E12M003	300
1210360596	E850B2E12M006	600
1210360576	E850B2E12M010	1000
1210360743	E850B2I12M006	600
1210360203	E850B2I12M010	1000
1210360206	E850B2I12M050	5000
1210360853	E850B2P12M003	300
1210360457	E850B2P12M005	500
1210360208	E850B2P12M006	600
1210360209	E850B2P12M010	1000
1210360629	E850B2P12M0105	1050
1210360821	E850B2P12M015	1500
1210360210	E850B2P12M020	2000
1210360651	E850B2P12M020H	2000
1210360497	E850B2P12M025G	2500
1210360211	E850B2P12M030	3000
1210360212	E850B2P12M050	5000
1210360973	E850B2P12M058	5800

CABLE SPECIFICATION :

CABLE TYPE	NO. OF WIRES	CROSS SECTION	CABLE JACKET	UL	CSA	STATIC: TEMP. / BENDING RADIUS	DYNAMIC: TEMP. / BENDING RADIUS	SHIELD
A23	3	0.75mm ²	PVC BLACK	-	-	-20°C to +70°C, 3xO.D.	-15°C to +70°C, 5xO.D.	-
B31	3	0.50mm ²	WSOR BLACK	UL 21215	-	-	-25°C to +80°C, 7.5xO.D.	-
E12	3	0.50mm ²	PVC BLACK	-	-	-20°C to +70°C, 3xO.D.	-15°C to +70°C, 5xO.D.	-
I12	3	0.50mm ²	CEI PVC GREY	-	-	-25°C to +70°C, 10xO.D.	-5°C to +70°C, 15xO.D.	-
P12	3	0.50mm ²	PUR BLACK	-	-	-40°C to +90°C, 7.5xO.D.	-15°C to +90°C, 12.5xO.D.	-

DOCUMENT STATUS	P1	RELEASE DATE	2021/05/13 12:37:18
-----------------	----	--------------	---------------------

THIS DRAWING CONTAINS INFORMATION THAT IS PROPRIETARY TO MOLEX ELECTRONIC TECHNOLOGIES, LLC AND SHOULD NOT BE USED WITHOUT WRITTEN PERMISSION									
DIMENSION UNITS	SCALE	CURRENT REV DESC: OBSOLETE PART NUMBERS AS PER PCN#509983							
mm	1:1								
GENERAL TOLERANCES (UNLESS SPECIFIED)									
ANGULAR TOL	± 1.0 °	DIN/MMN 5P 24V MM 90 XM XXX							
4 PLACES	±	EC NO: 663026							
3 PLACES	±	DRWN: SKANDB 2021/04/08							
2 PLACES	± 0.05	CHK'D: GGA 2021/05/13							
1 PLACE	± 0.3	APPR: GGA 2021/05/13							
0 PLACES	± 0.5	INITIAL REVISION:							
DRAFT WHERE APPLICABLE MUST REMAIN WITHIN DIMENSIONS		THIRD ANGLE PROJECTION		DRAWING	SERIES	MATERIAL NUMBER	CUSTOMER	DOCUMENT NUMBER	DOC TYPE DOC PART REVISION
				A3-SIZE	121036	SEE PART LIST	GENERAL MARKET	1210360210	PSD 000 A2
									SHEET NUMBER
									2 OF 2