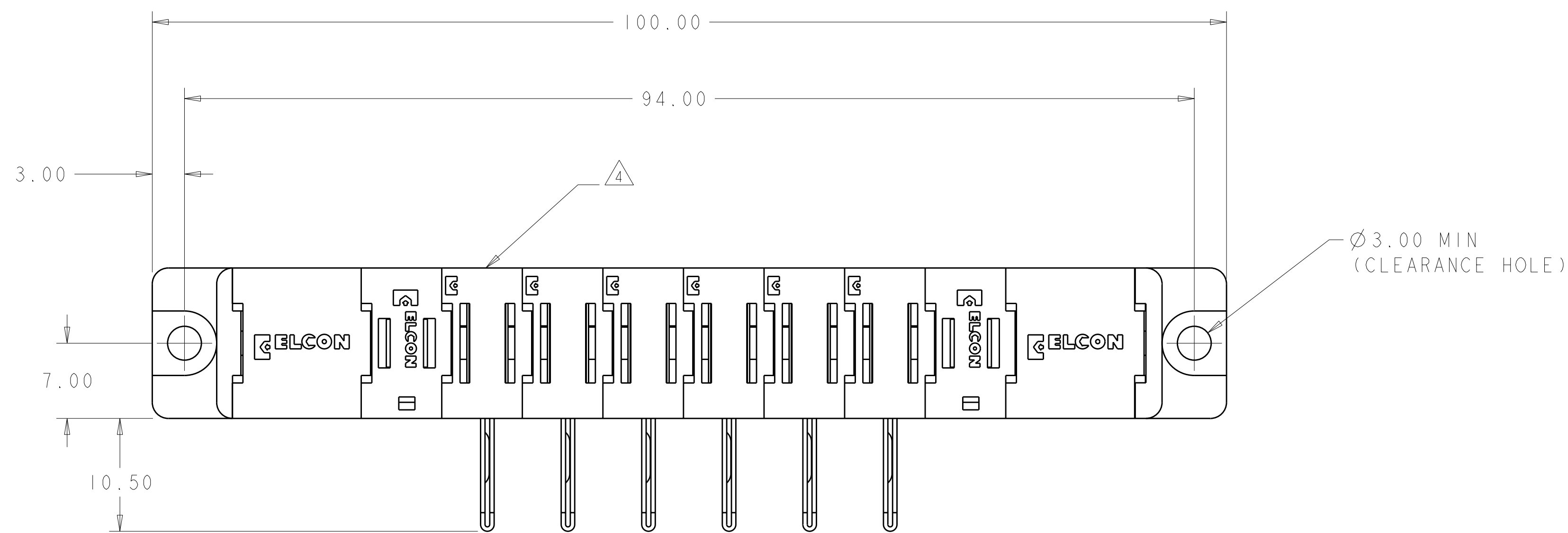


LOC	DIST	REV	DESCRIPTION	DATE	DWN	APVD
-	-	1	PROPOSED DESIGN	24SEP2008	CR	PD
-	-	A	NEW RELEASE	02OCT2008	CR	PD



- PART NUMBER CHANGES AND OR DESIGN CHANGES AFFECTING ITEM INTERCHANGEABILITY REQUIRE PRIOR TYCO ELECTRONICS APPROVAL AND AUTHORIZATION BY REVISION TO THIS DRAWING.
- MATERIAL:
  - INSULATORS - THERMOPLASTIC, GLASS REINFORCED, COLOR: BLACK, UL94V-0 FLAMMABILITY RATED.
  - POWER CONTACTS - PHOSPHOR BRONZE ALLOY, COPPER ALLOY
  - CROWN BAND-BERYLLIUM COPPER ALLOY
- FINISH:
  - CONTACTS - GOLD PLATE 0.76µm MIN. THK., OVER NICKEL
  - 1.27µm MIN. THK
  - SOLDER TAILS, TIN 3.05µm MIN. THK. OVER NICKEL
  - 1.27µm MIN THK.

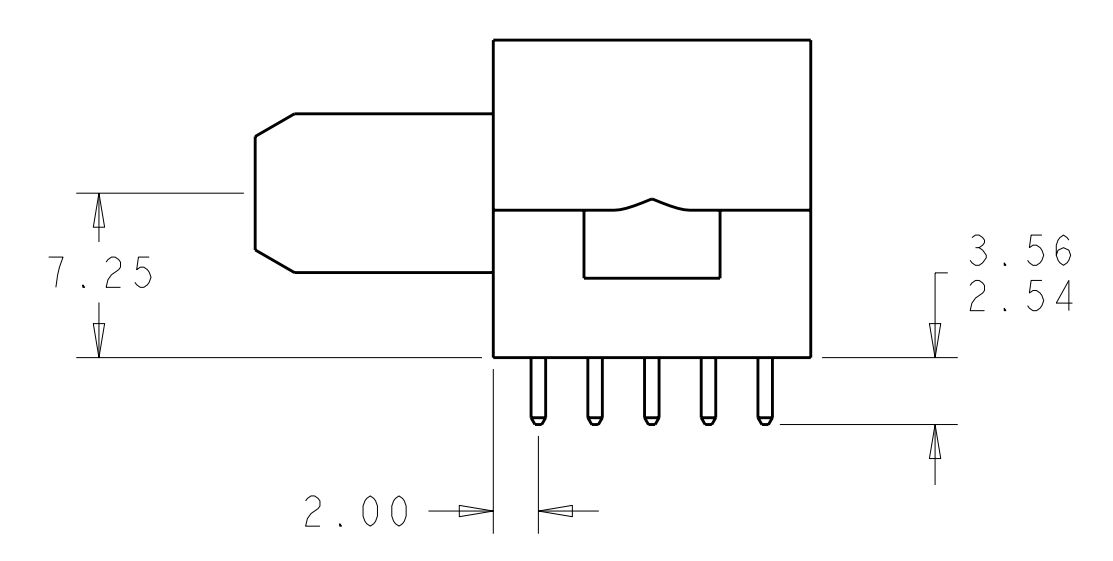
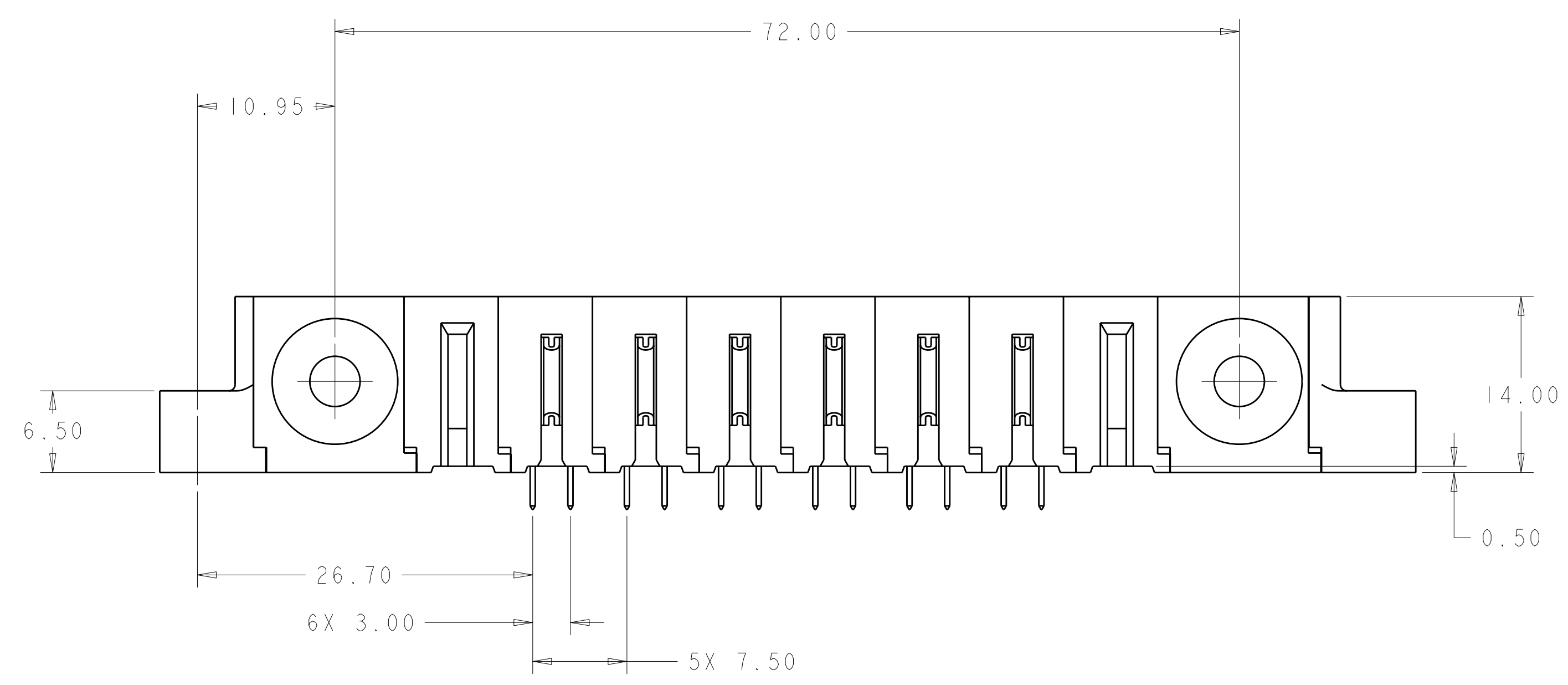
△ ITEMS PROVIDED TO THIS SPECIFICATION TO BE PERMANENTLY IDENTIFIED PER THE FOLLOWING IDENTIFIER LABEL

YEAR 1 WEEK

TYCO ELECTRONICS P/N      DATE CODE (e.g. 0106)

XXXXXXXX-X                  XXXX

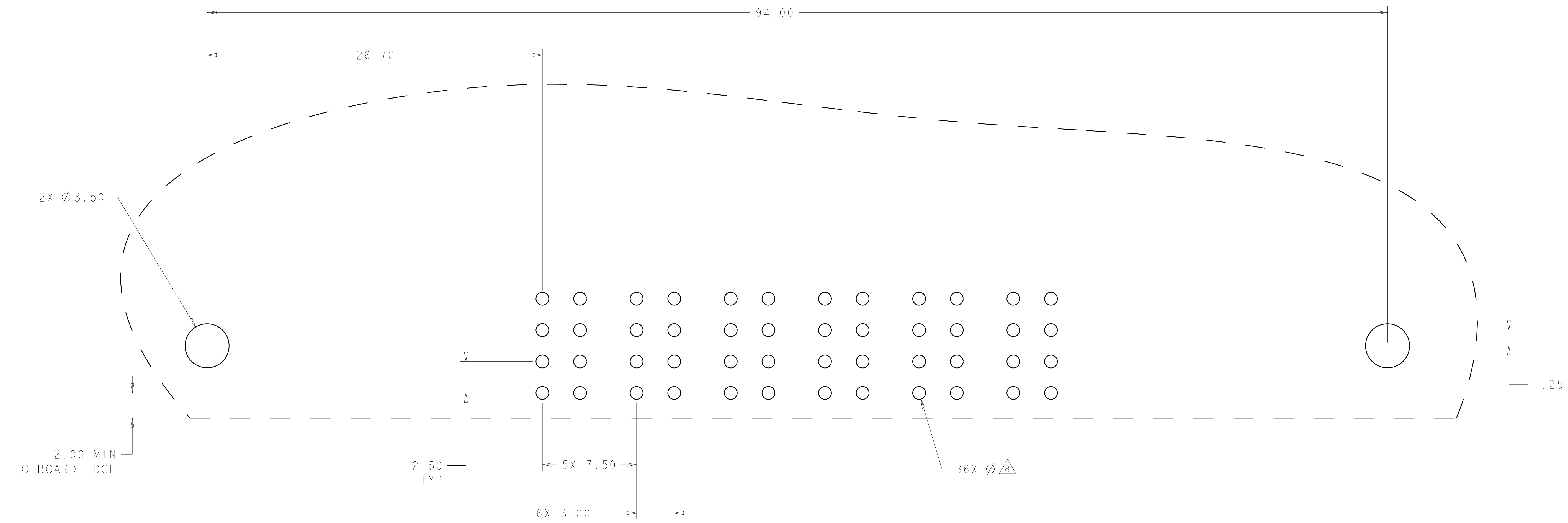
- MOUNTING FLANGE ACCEPTS M3 OR NO.4 SCREWS. (USER SUPPLIED)
- CONNECTOR MATES WITH TYCO ELECTRONICS PART NUMBER 1926997-1



**ELCON FLATPAQ**

AS SHOWN	1926996-1
DESCRIPTION	PART NO.
DIMENSIONS: mm TOLERANCES UNLESS OTHERWISE SPECIFIED: 9 PLC ±.5 1 PLC ±.5 5 PLC ±.25 4 PLC ±. ANGLES #2 FINISH #2	
DWN: C. ROHLER 24SEP2008 CHK: P. DAMATO 24SEP2008 APVD: M. PERCHERIE 24SEP2008 Tyco Electronics Harrisburg, PA 17105-3608	
NAME: PIN CONNECTOR ASSEMBLY RIGHT ANGLE, SOLDER TAILS FLATPAQ	
SIZE: A100779C=1926996 SCALE: 3:1 SHEET 1 OF 3 REV A	
CUSTOMER DRAWING	

LOC	DIST	REV	DATE	BY	APPD
-	-	1	-	-	-
REVISIONS			DESCRIPTION	DATE	DWN
-	-	1	SEE SHEET 1	-	-

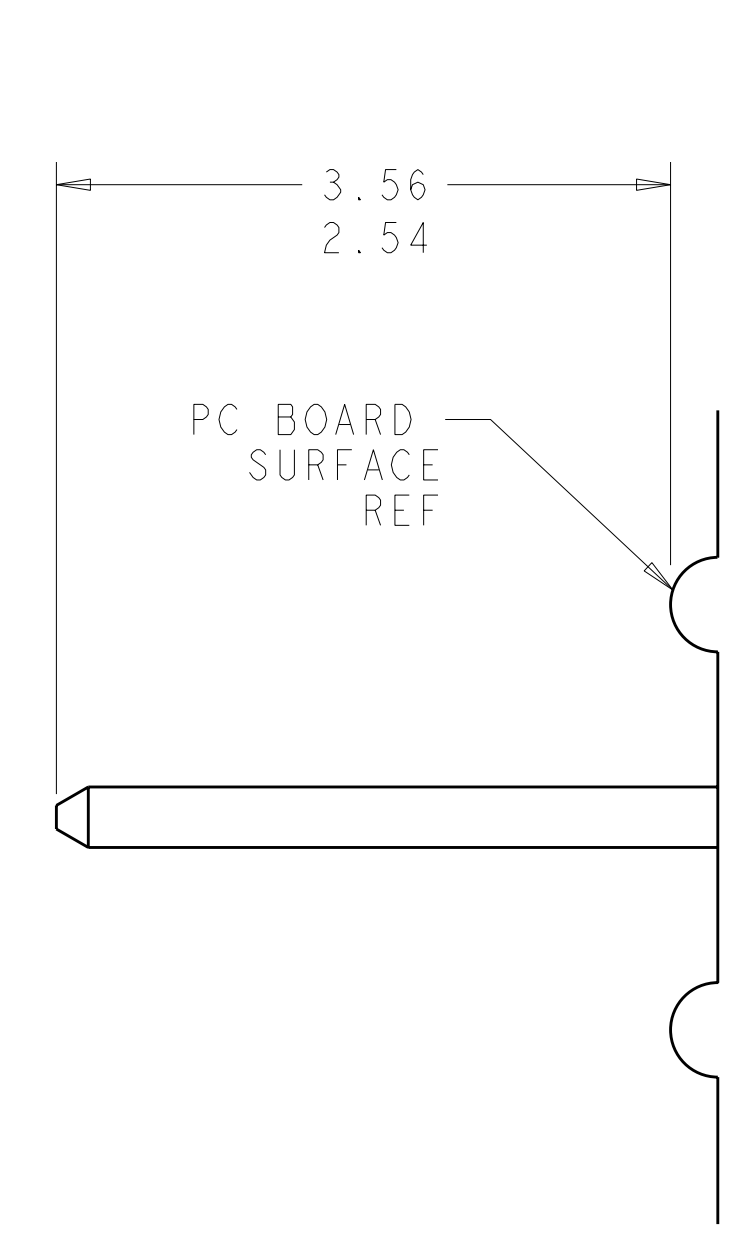


PRINTED CIRCUIT LAYOUT  
 COMPONENT SIDE  
 SCALE 6:1

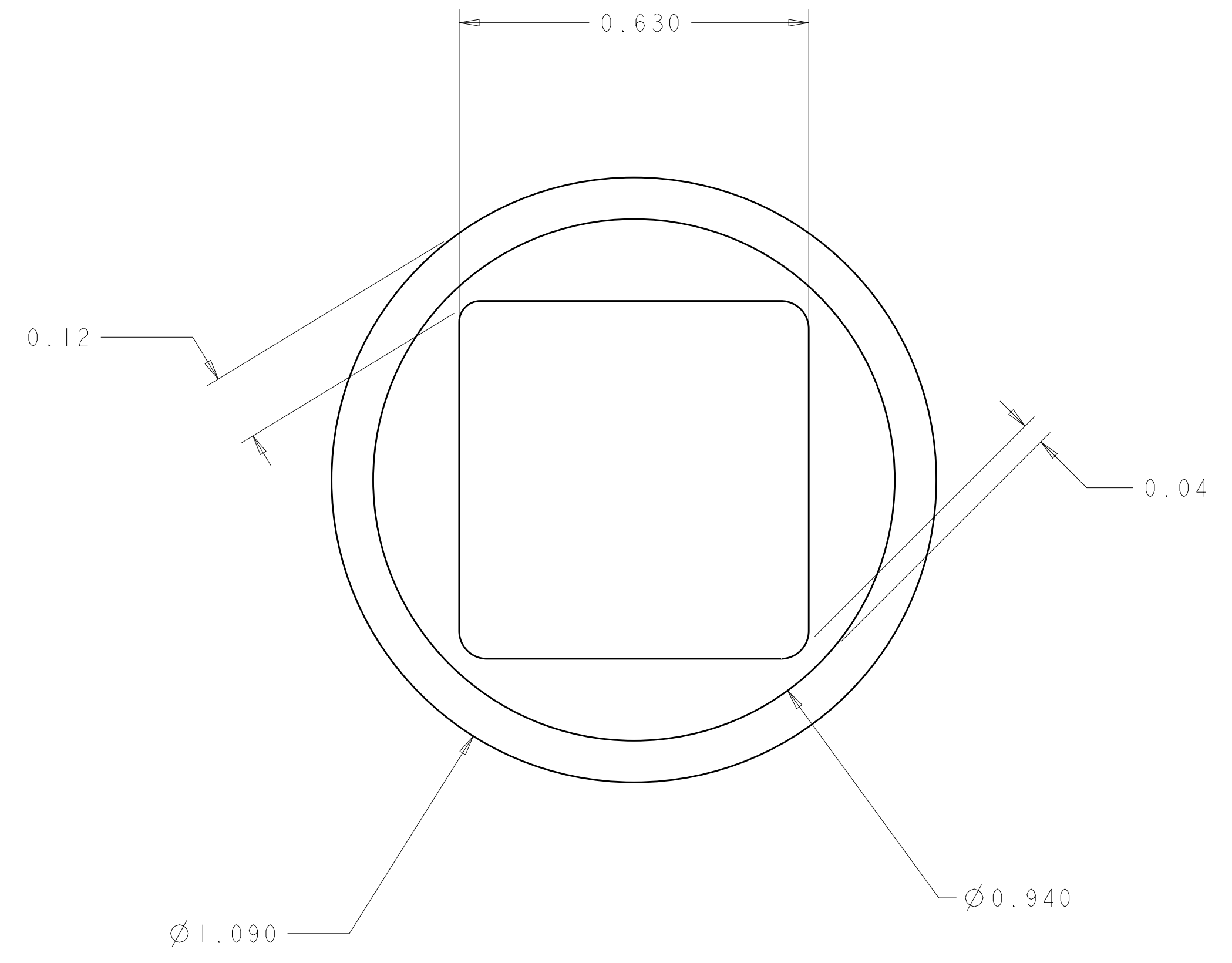
CONNECTOR	CATALOG MODULE #	QTY	SIZE NO.	CONTACT QTY	MATING PIN	MAX. CURRENT (PER CONTACT)	CONTACT SPACING	VOLTAGE RATING
PIN	FP151	6	8	3	1.25 X 7.00 [.049 X .276]	35 amps	7.50 [.2953]	250 VOLTS
	FP512	2	SPACER, 250V					
	FP500	1	LEFT MOUNTING FLANGE					
	FP501	1	RIGHT MOUNTING FLANGE					
	FP506	2	RIGHT ANGLE GUIDE SOCKET					

DIMENSIONS: mm 		TOLERANCES UNLESS OTHERWISE SPECIFIED: 9 PLC ±.5 1 PLC ±.5 2 PLC ±.25 3 PLC ±.25 4 PLC ±.25 ANGLES ±.2 FINISH #2		DWN C. ROHLER 24SEP2008 CHK P. DAMATO 24SEP2008 APVD M. PERCHERIE 24SEP2008 PRODUCT SPEC APPLICATION SPEC WEIGHT CUSTOMER DRAWING		Tyco Electronics Harrisburg, PA 17105-3608 NAME PIN CONNECTOR ASSEMBLY RIGHT ANGLE, SOLDER TAILS FLATPAQ SIZE CAGE CODE DRAWING NO A100779C-1926996 RESTRICTED TO	
SCALE 3:1			SHEET 2 OF 3		REV A		

LOC	DIST	REV	DATE	BY	APPD
-	-	1	-	-	-
DESCRIPTION			DATE	DWN	APPD
SEE SHEET 1			-	-	-



7. SOLDER TAIL DETAIL  
SCALE 10:1



**8 SOLDER TERMINATION AREA**  
 SCALE 40:1  
 RECOMMENDED PRINTED CIRCUIT SOLDER HOLE  
 FINISHED HOLE: Ø1.02 [.040] ±.08 [.003]  
 DRILLED HOLE: Ø1.15 [.0453] ±.013 [.0005]  
 COPPER PLATE: .025 [.0010] MIN  
 TIN PLATE: .008 [.0003] MIN. (PER SURFACE)

<small>THIS DRAWING IS UNPUBLISHED. RELEASED FOR PUBLICATION. THIS IS SUBJECT TO CHANGE WITHOUT NOTICE. THE USER SHALL BE RESPONSIBLE FOR OBTAINING THE LATEST REVISION. CONTACT THE SUPPLIER FOR THE LATEST REVISION.</small>		DWN: C. ROHLER 24SEP2008 CHK: P. DAMATO 24SEP2008 APVD: M. PERCHERIE 24SEP2008	Tyco Electronics Harrisburg, PA 17105-3608
DIMENSIONS: mm 	TOLERANCES UNLESS OTHERWISE SPECIFIED: 0 PLC ±.5 1 PLC ±.5 2 PLC ±.25 3 PLC ±.125 4 PLC ±.0625 ANGLES ±.2 FINISH #2	NAME: PIN CONNECTOR ASSEMBLY RIGHT ANGLE, SOLDER TAILS FLATPAQ PRODUCT SPEC APPLICATION SPEC	SIZE: A CAGE CODE: 100779 DRAWING NO: C=1926996 RESTRICTED TO: -
MATERIAL: -	WEIGHT: -	CUSTOMER DRAWING	SCALE: 3:1 SHEET: 3 OF 3 REV: A