

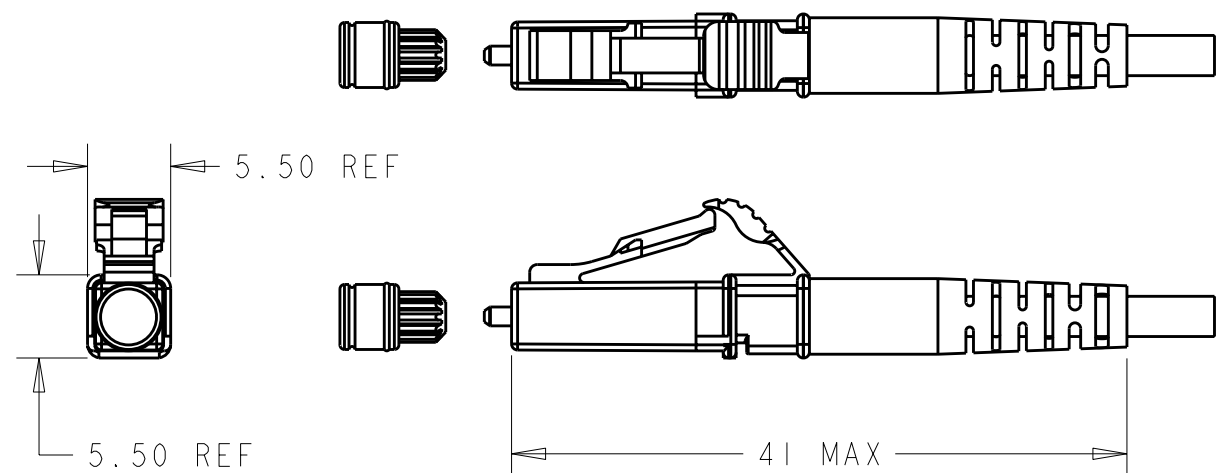
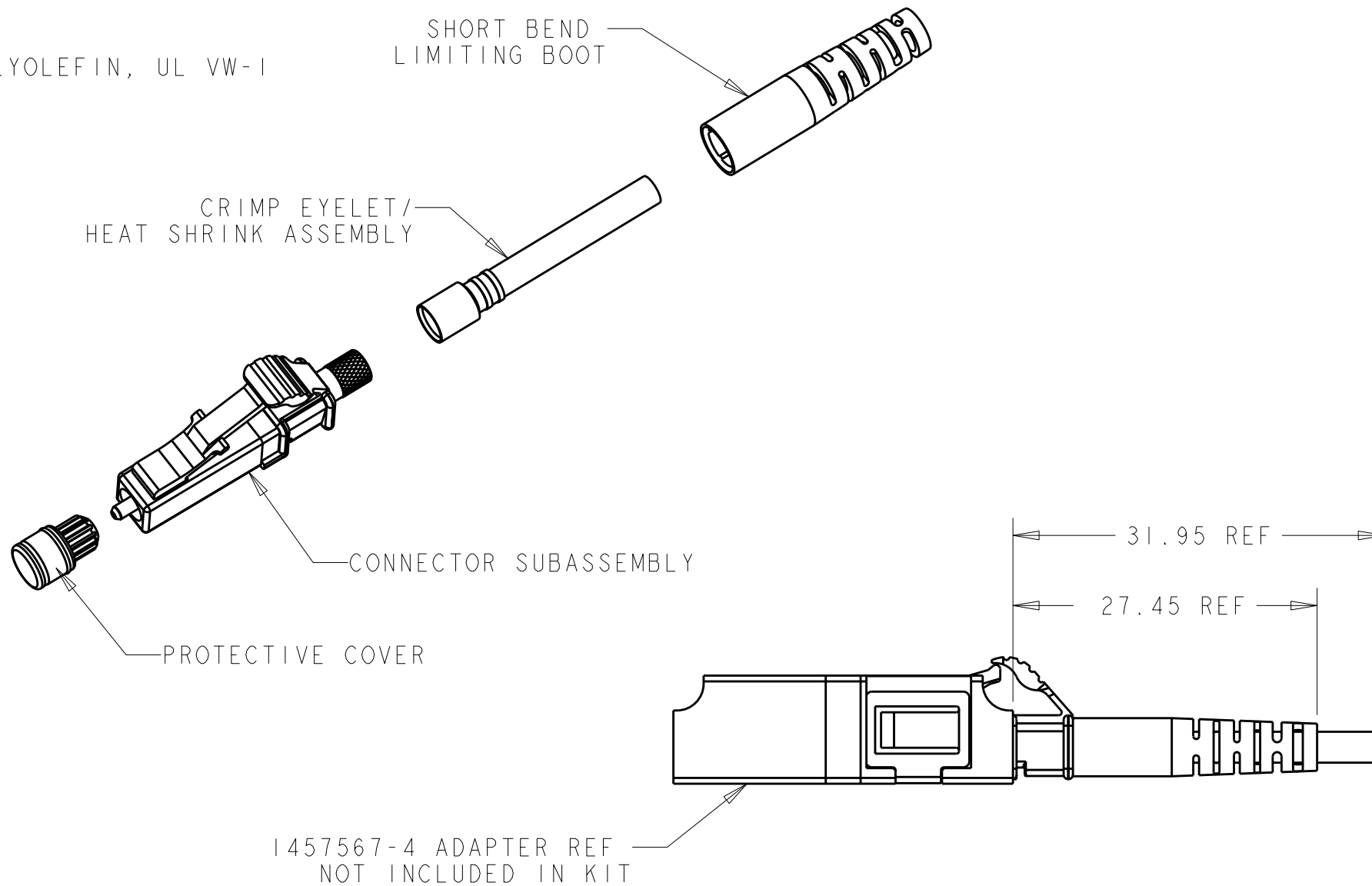
THIS DRAWING IS UNPUBLISHED. RELEASED FOR PUBLICATION
 © COPYRIGHT - BY TYCO ELECTRONICS CORPORATION. ALL INTERNATIONAL RIGHTS RESERVED.

LOC	DIST	REVISIONS				
P	LTR	DESCRIPTION	DATE	DWN	APVD	
HG	-	A	REVISE PER ECR-08-003533	11FEB2008	BB	CB
		B	REV PER ECR-10-015969	23AUG2010	IL	CT

1 MATERIAL: PROTECTIVE COVER - TPE, COLOR: BLACK, UL 94 HB*
 FERRULE SUBASSEMBLY - ZIRCONIA/METAL.
 COMPRESSION SPRING - STAINLESS STEEL.
 HOUSING - PEI, COLOR: BEIGE, UL 94 V-0*
 INNER TUBING - PTFE, COLOR: CLEAR, UL VW-1.
 REAR BODY - METAL
 BOOT - PP, COLOR: BEIGE, UL 94 V-0*
 CRIMP EYELET/SHRINK ASSY - ALUM. ALLOY/POLYOLEFIN, UL VW-1
 *RATED AT QUALIFYING THICKNESS.

2 BULK PACKAGED.

3. INSTRUCTION SHEET: 408-8675.



2	1918405-2
	1918405-1
	PART NUMBER

<small>THIS DRAWING IS A CONTROLLED DOCUMENT FOR TYCO ELECTRONICS CORPORATION IT IS SUBJECT TO CHANGE AND THE CONTROLLING ENGINEERING ORGANIZATION SHOULD BE CONTACTED FOR THE LATEST REVISION.</small>		DWN B. BRIGGS 11FEB2008 CHK C. BENNETT 11FEB2008 APVD S. BUCHTER 11FEB2008	Tyco Electronics Corporation Shanghai, China
DIMENSIONS: mm 	TOLERANCES UNLESS OTHERWISE SPECIFIED: 0 PLC ±- 1 PLC ±- 2 PLC ±- 3 PLC ±- 4 PLC ±- ANGLES ±-	PRODUCT SPEC - APPLICATION SPEC - WEIGHT -	NAME KIT, CONNECTOR, LC, SHORT BOOT, SIMPLEX, MM, 2.0mm JACKET SIZE A3 CAGE CODE - DRAWING NO C-1918405 RESTRICTED TO -
MATERIAL - 	FINISH -	CUSTOMER DRAWING	SCALE 2:1 SHEET 1 OF 1 REV B