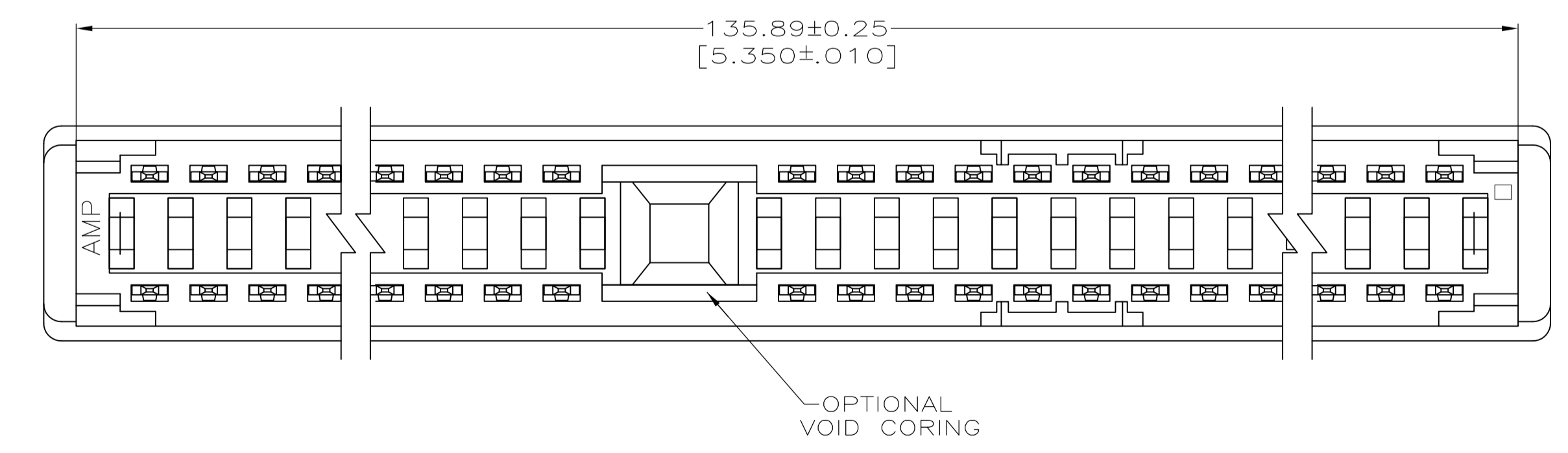
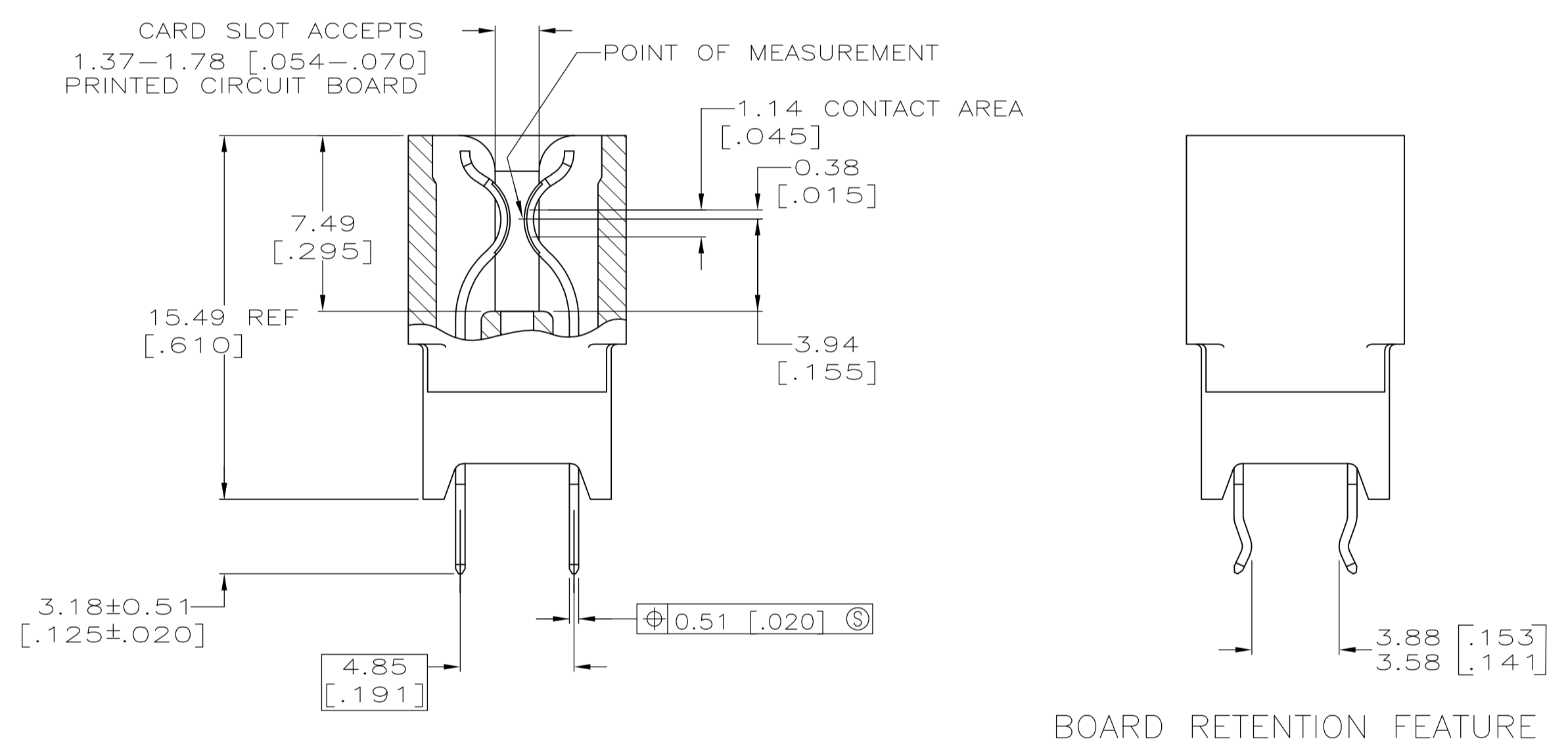
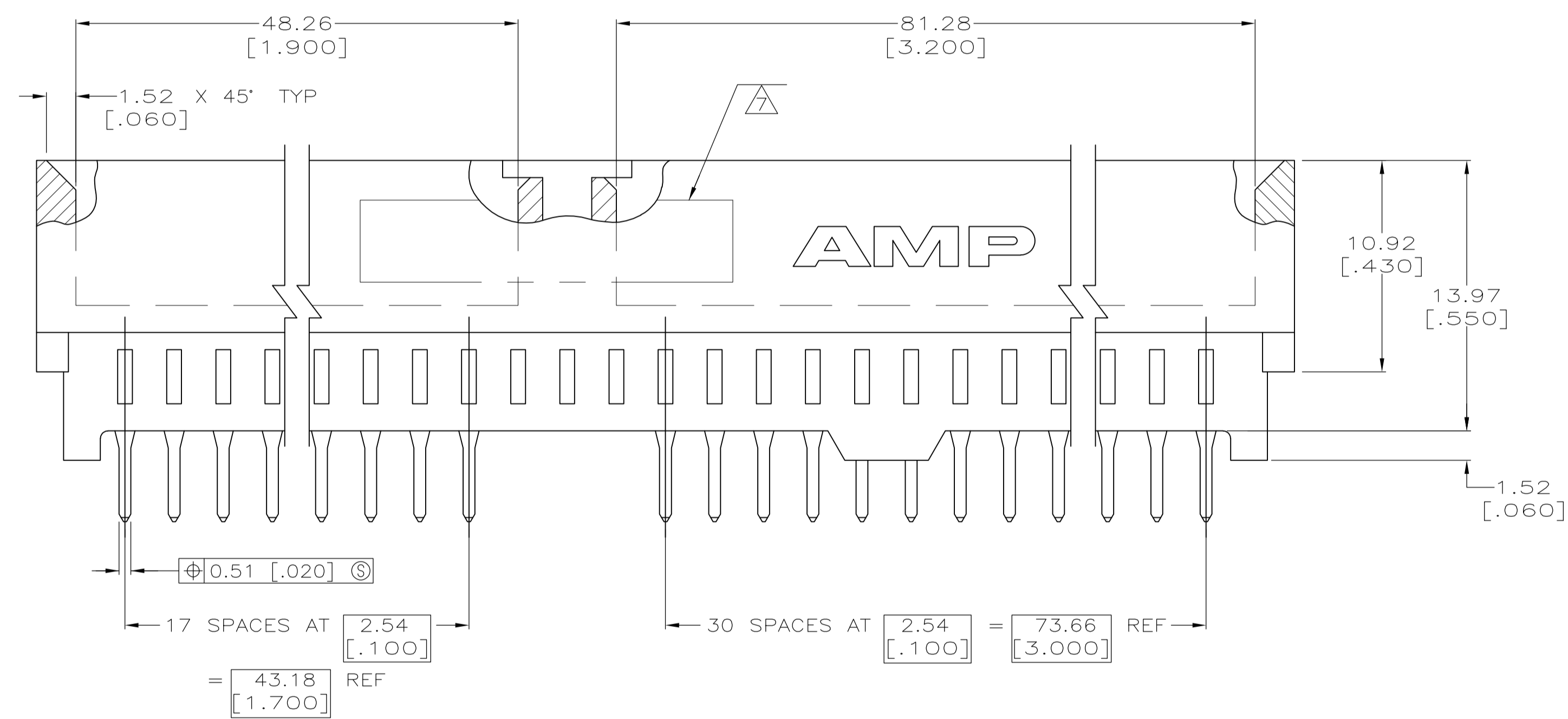
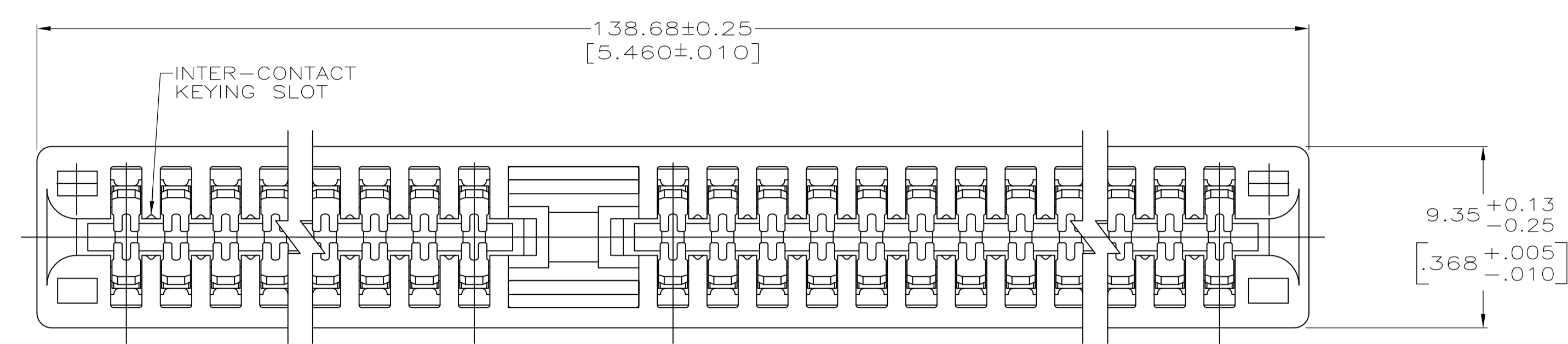


- ① HOUSING: GLASS FILLED POLYESTER; COLOR: BLACK.
- ② CONTACT: PHOSPHOR BRONZE.
- ③ NICKEL PLATE: 0.00127 [.000050] MIN - ALL OVER.
- ④ MATTE TIN PLATE: 0.00254 [.000100] MIN-SOLDER POSTS.
- ⑤ GOLD PLATE: 0.00076 [.000030] MIN - CONTACT AREA.
- ⑥ NICKEL PLATE PER MIL-G-45204. GOLD PLATE PER QQ-N-290.
- ⑦ AMP PART NUMBER, DATE CODE AND CSA LOGO ARE MARKED IN APPROXIMATE AREA SHOWN, EITHER SIDE.
- 8. RECOMMENDED PCB FINISHED HOLE DIA: 1.02±0.08 [.040±.003].
- 9. THE RETENTIVE FEATURE OF THIS CONNECTOR IS DESIGNED FOR FULL SEATING IN .062±.008 THICK CIRCUIT BOARDS. FOR APPLICATIONS IN BOARDS OF OTHER THICKNESSES CONTACT AMP INCORPORATED.
- ⑩ PACKAGED 20 CONNECTORS PER TUBE.
- ⑪ PACKAGED 72 CONNECTORS PER EPS TRAY.
- ⑫ GOLD PLATE: 0.00038 [.000015] MIN - CONTACT AREA.
- ⑬ PACKAGED IN SLIDE PACK.
- ⑭ PACKAGE 57 CONNECTORS IN TUBES.
- ⑮ DATUMS AND BASIC DIMENSIONS TO BE DETERMINED BY CUSTOMER.



NOTE 5	NOTE 11	5,6,31,32,41,42,93,94	49	5645169-4
NOTE 5	NOTE 11	-	49	5645169-3
NOTE 5	NOTE 11	5,6,31,32,41,42,93,94	49	5645169-2
PLATING	PACKAGE	BOARD RETENTION LOCATION	NO OF POSN	PART NUMBER

THIS DRAWING IS A CONTROLLED DOCUMENT.

DIMENSIONS: mm	TOLERANCES UNLESS OTHERWISE SPECIFIED:	0 PLC ± -	1 PLC ± -	2 PLC ± 0.13 [.005]	3 PLC ± -	4 PLC ± -	ANGLES ± °
MATERIAL		FINISH		WEIGHT		CUSTOMER DRAWING	

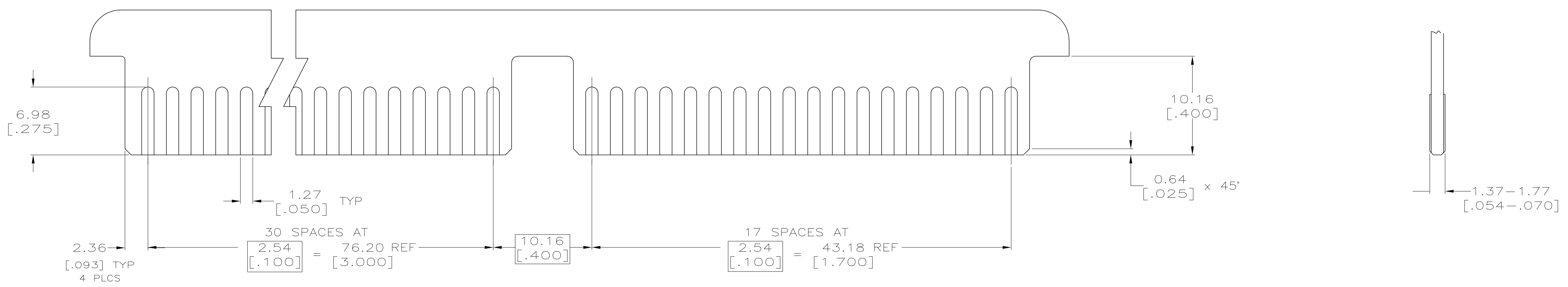
AL FRANTUM 14 JUN 05  
AL FRANTUM 14 JUN 05

NAME: CONNECTOR ASSEMBLY, STANDARD EDGE II, 2.54 [.100]

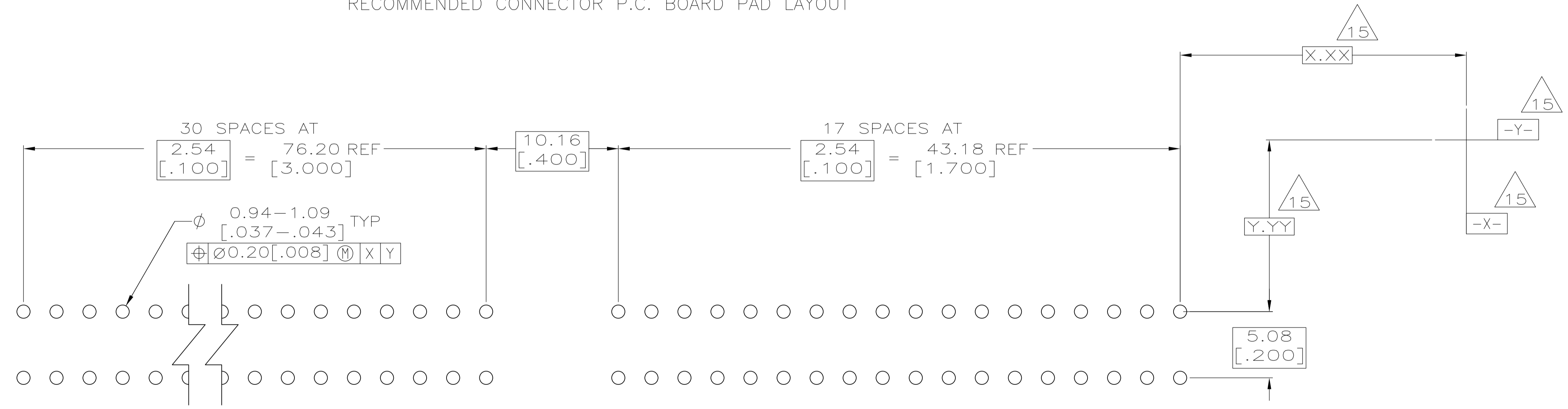
PRODUCT SPEC: 108-9039  
APPLICATION SPEC

SIZE: A1 00779  
CAGE CODE: 5645169  
DRAWING NO: 5645169

SCALE: 5:1 SHEET: 1 OF 2 REV: A1



RECOMMENDED CONNECTOR P.C. BOARD PAD LAYOUT



RECOMMENDED CONNECTOR P.C. BOARD HOLE PATTERN

THIS DRAWING IS A CONTROLLED DOCUMENT.		DIN AL FRANTUM 14 JUN 05		AL FRANTUM 14 JUN 05		AL FRANTUM 14 JUN 05		AL FRANTUM 14 JUN 05		AL FRANTUM 14 JUN 05	
DIMENSIONS: mm		TOLERANCES UNLESS OTHERWISE SPECIFIED:		PRODUCT SPEC		APPLICATION SPEC		SIZE		RESTRICTED TO	
0 PLG ± -		1 PLG ± -		108-9039		APPLICATION SPEC		A1		-	
2 PLG ± 0.13 [.005]		3 PLG ± -		C=5645169		SCALE		SHEET		REV	
4 PLG ± -		ANGLES ± °		CUSTOMER DRAWING		5:1		2 OF 2		A1	
MATERIAL SEE SHEET 1		FINISH SEE SHEET 1		WEIGHT		SCALE		SHEET		REV	