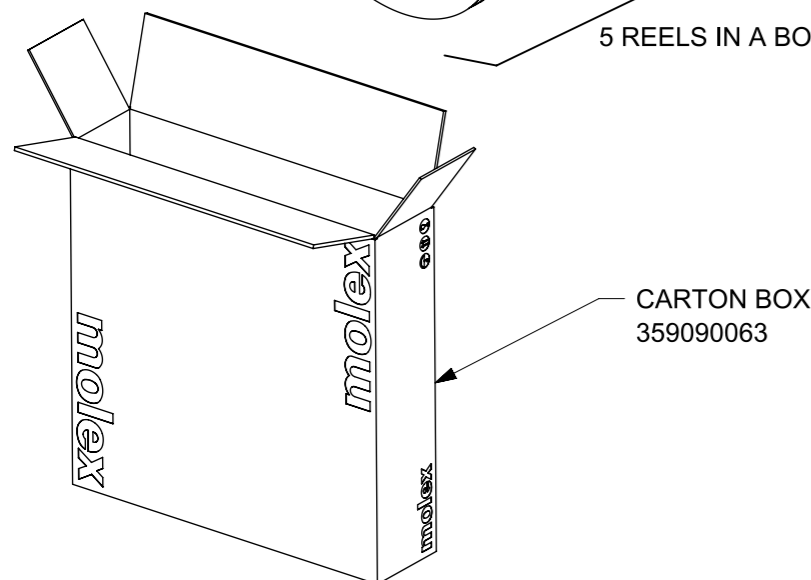
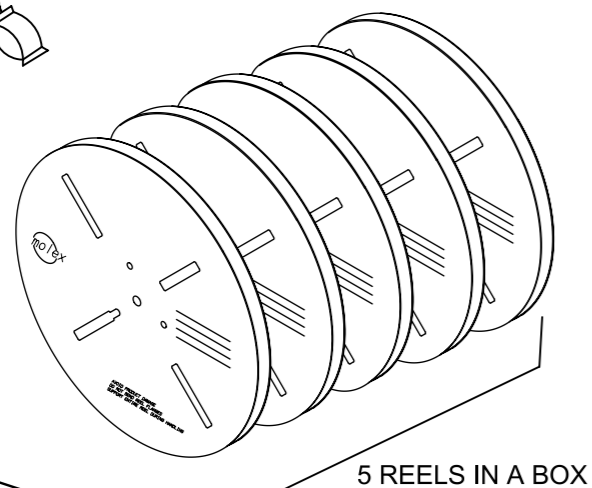
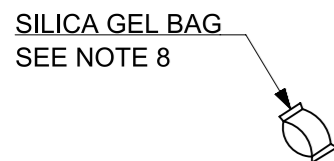
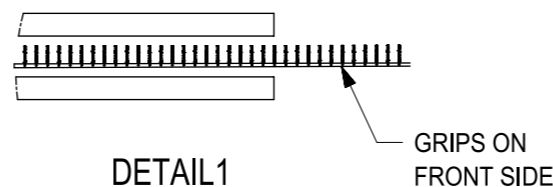
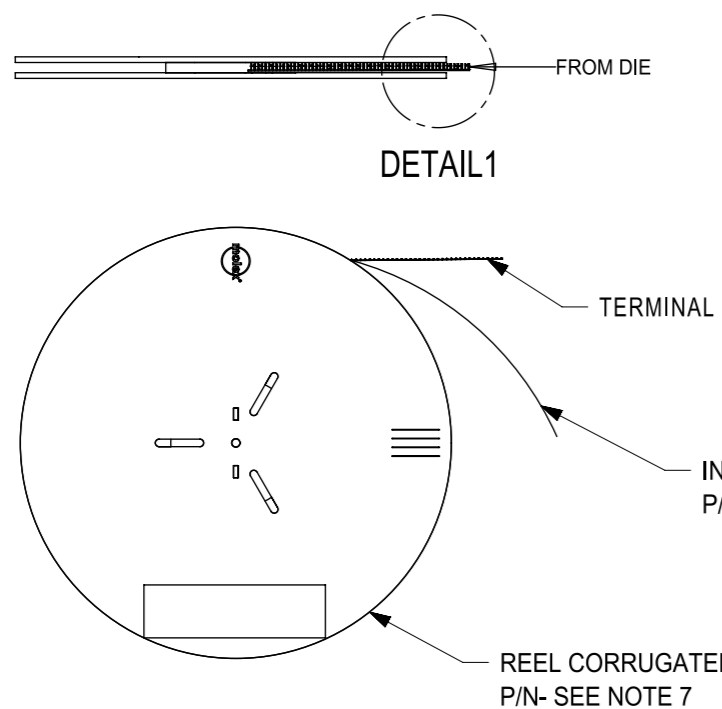
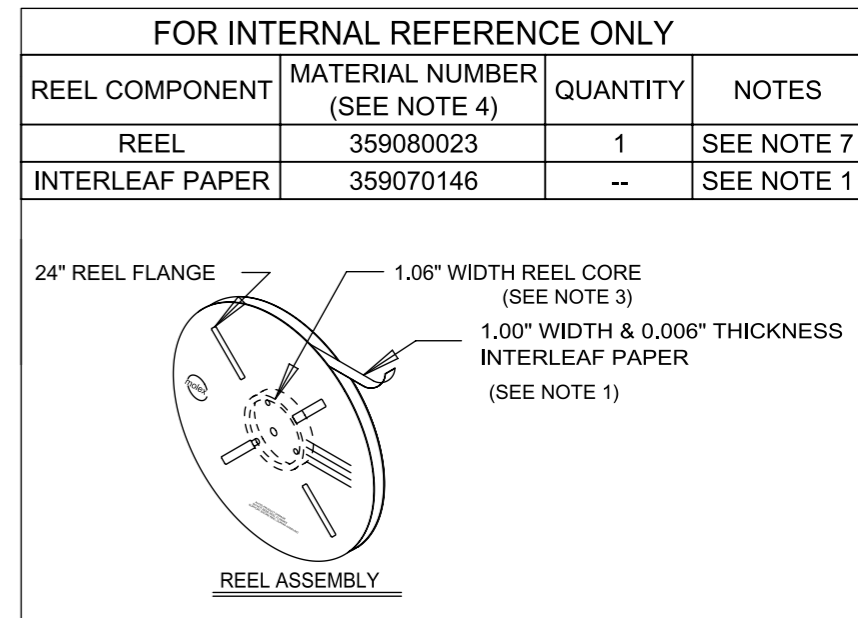


TABLE 1

TERMINAL PART NO	PARTS PER REEL	NO. OF REELS PER CARTON BOX	TOTAL QUANTITY PER BOX
2004490001	8000	5	40000



**NOTES:**

- INTERLEAF PAPER TO BE USED THROUGHOUT THE ENTIRE REEL. (REF ES-40000-7005)
- PRODUCT LABEL AND SHIPPING LABEL TO BE ATTACHED AT THESE APPROXIMATE LOCATIONS. (REF ES-40000-7012)
- REEL CORE IS CUT TO LENGTH AS INDICATED.
- PARTS TO BE SPOOLED AS SHOWN
- PARTS NOT TO BE TWISTED OR BENT ON CARRIER
- FOR SPQ DETAILS SEE TABLE-1
- REEL FLANGE, REEL CORE AND REEL CORRUGATED ARE PURCHASED AS A SINGLE SET.
- PART TO BE SHIPPED WITH SILICA DESICCANT GEL BAG

<b>QUALITY SYMBOLS</b> FA = 0 FE = 0 FF = 0 GV = 0 GC = 0 GX = 0 BK = 0 VT = 0	THIS DRAWING CONTAINS INFORMATION THAT IS PROPRIETARY TO MOLEX ELECTRONIC TECHNOLOGIES, LLC AND SHOULD NOT BE USED WITHOUT WRITTEN PERMISSION												
	REV PER DROP TEST EC NO: 632176 DRWN: JDPARK01 CHK'D: JBJIN APPR: YSKIM02	2020/02/12		2020/02/17		2020/02/17		GENERAL TOLERANCES (UNLESS SPECIFIED)		DIMENSION UNITS		SCALE	
		4 PLACES		±		3 PLACES		±		mm		1:1	
		3 PLACES		±		2 PLACES		±		CD		DATE	
		2 PLACES		±		1 PLACE		±		CHK'D BY		DATE	
		0 PLACES		±		DRAFT WHERE APPLICABLE MUST REMAIN WITHIN DIMENSIONS				BR02		2015/11/09	
	C		REV		A3		THIRD ANGLE PROJECTION		KPRASAD		2016/07/27		
	RELEASE STATUS		P1		RELEASE DATE		2020/02/17		2020/02/17		02:08:25		
	molex		molex		molex		molex		molex		molex		
	SERIES		MATERIAL NUMBER		CUSTOMER		DRAWING SIZE		THIRD ANGLE PROJECTION		PACKAGING DESIGN DRAWING		
200449		SEE CHART				A3		KPRASAD		2016/07/27			
DOCUMENT NUMBER		DOC TYPE		DOC PART		SHEET NUMBER		2004490001PK		PDD 000 1 OF 1			