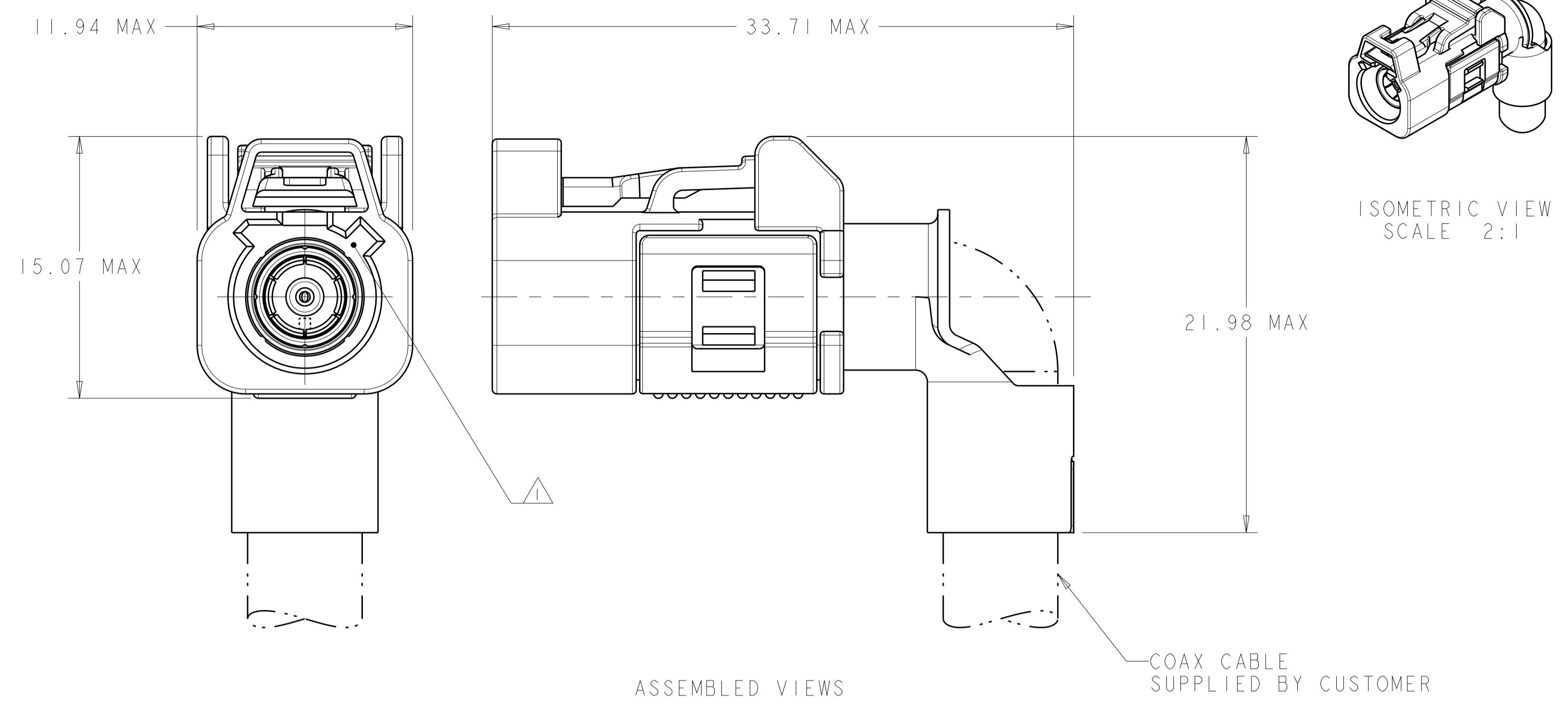
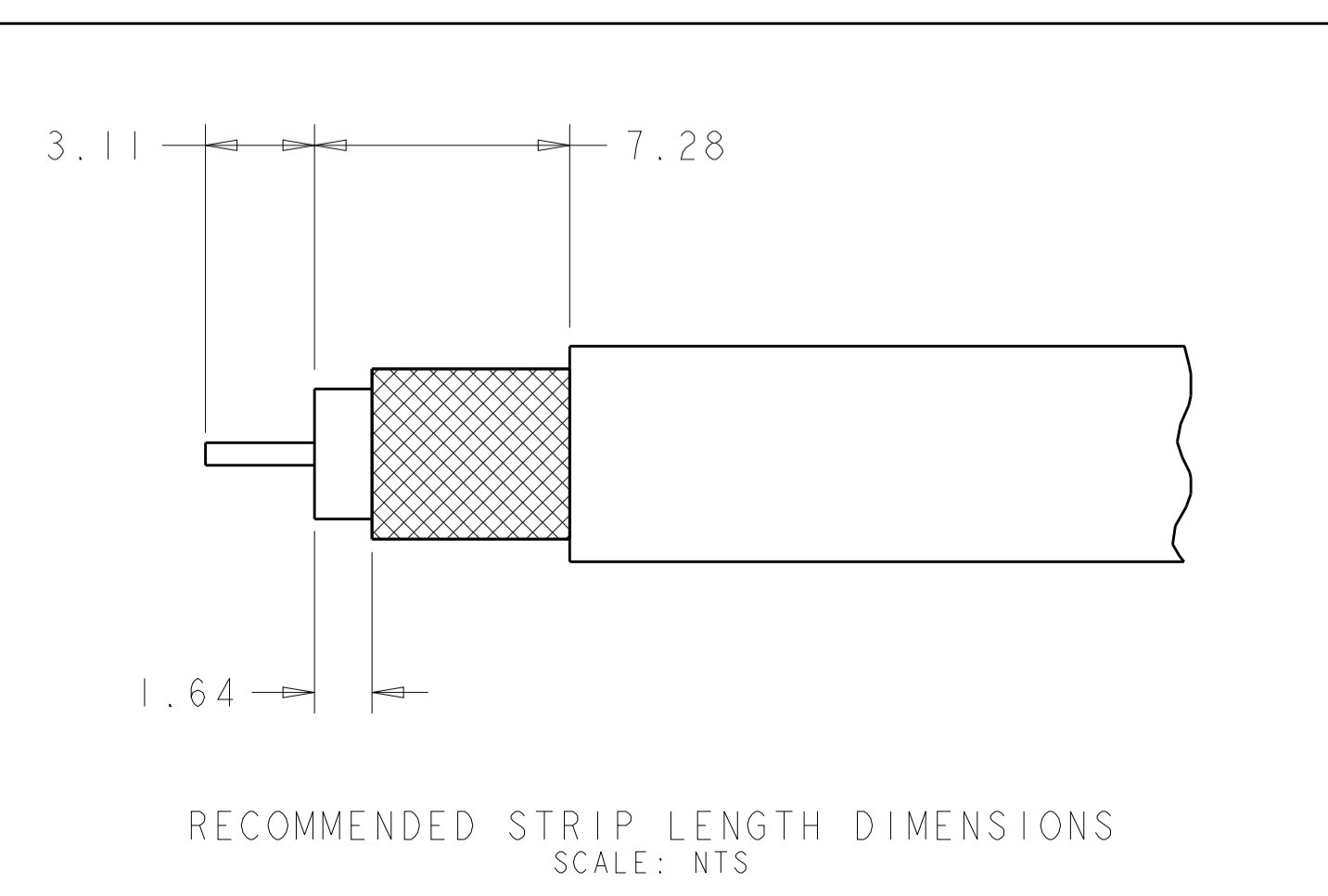
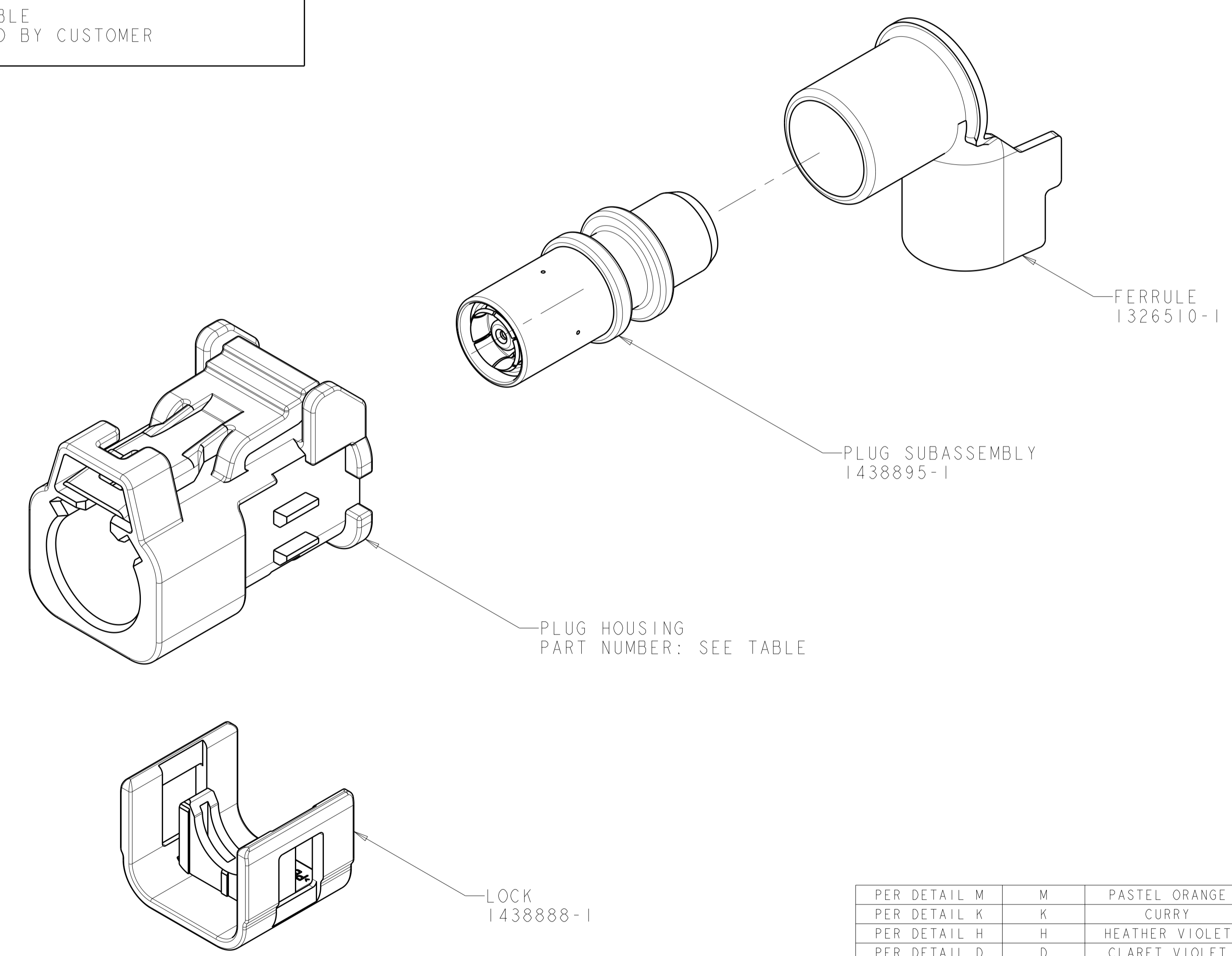


LOC		DIST		REVISIONS			
P	LTN	DESCRIPTION	DATE	DWN	APVD		
B1		ECO-13-012147	29AUG2013	KP	LV		



- 1. PLUG ACCEPTS JACKS MEETING DIN 72594-1, ROAD VEHICLES - RADIO FREQUENCY INTERFACE - DIMENSIONS AND ELECTRICAL REQUIREMENTS.
- 2. PLUG SUBASSEMBLY WILL ACCEPT RG-59 COAXIAL CABLE.
- 3. SEE INSTRUCTION SHEET 408-10028.
- 4. SOCKET CONTACT 1438896-4 MUST BE PURCHASED SEPERATELY.



PER DETAIL M	M	PASTEL ORANGE	1-1438893-2	1-776683-2
PER DETAIL K	K	CURRY	1-1438893-0	1-776683-0
PER DETAIL H	H	HEATHER VIOLET	1438893-8	776683-8
PER DETAIL D	D	CLARET VIOLET	1438893-4	776683-4
PER DETAIL C	C	SIGNAL BLUE	1438893-3	776683-3
PER DETAIL B	B	SIGNAL WHITE	1438893-2	776683-2
PER DETAIL A	A	JET BLACK	1438893-1	776683-1
KEYING	KEY CODING	HOUSING COLOR	PLUG HOUSING PART NUMBER	PART NUMBER

THIS DRAWING IS A CONTROLLED DOCUMENT. DWN: D.J.HARDY 05JUN2005
 CHK: J.W.HALL 25AUG2005
 APVD: J.W.HALL 25AUG2005

STE TE Connectivity

NAME: PLUG KIT, UNASSEMBLED, 1 POSITION, RG-59, 90 DEGREE, FAKRA, SMB

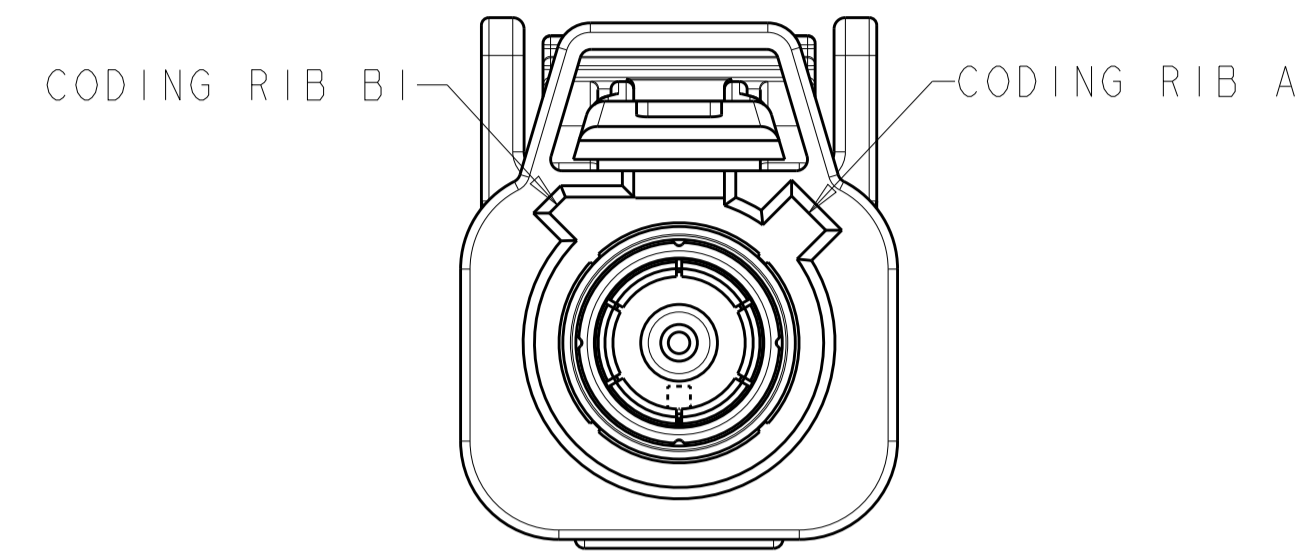
PRODUCT SPEC: -
 APPLICATION SPEC: 114-13157
 WEIGHT: -
 MATERIAL: -
 FINISH: -

SIZE: A100779 CAGE CODE: 776683 DRAWING NO: 776683
 RESTRICTED TO: -

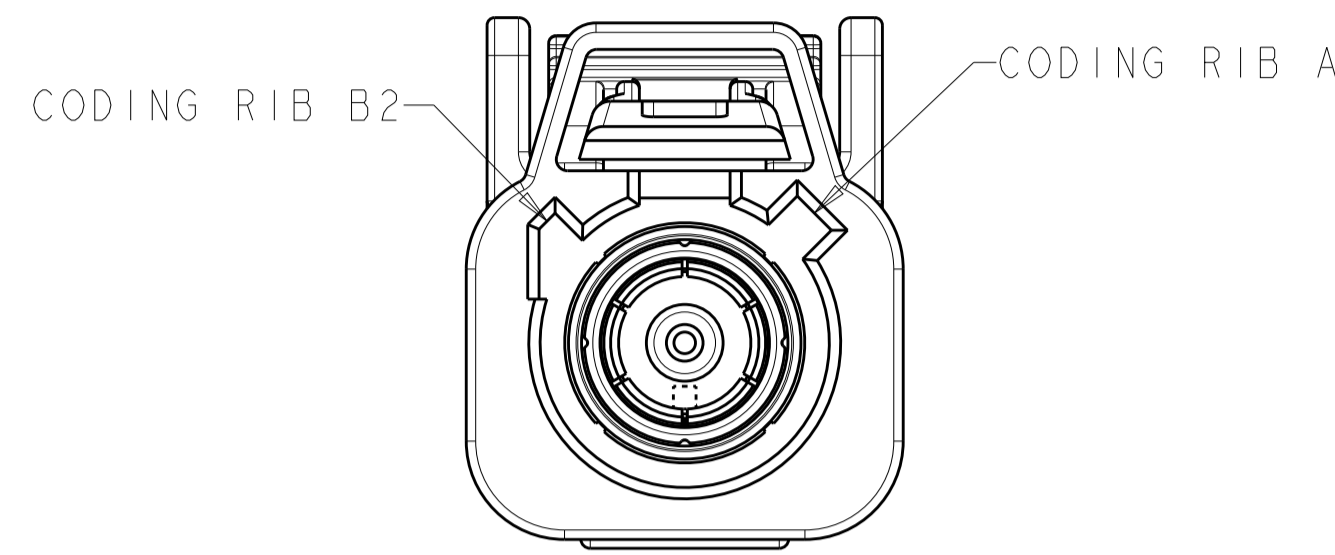
CUSTOMER DRAWING SCALE: 4:1 SHEET 1 OF 2 REV: B1

THIS DRAWING IS UNPUBLISHED. RELEASED FOR PUBLICATION 20
 COPYRIGHT 20 BY - ALL RIGHTS RESERVED.

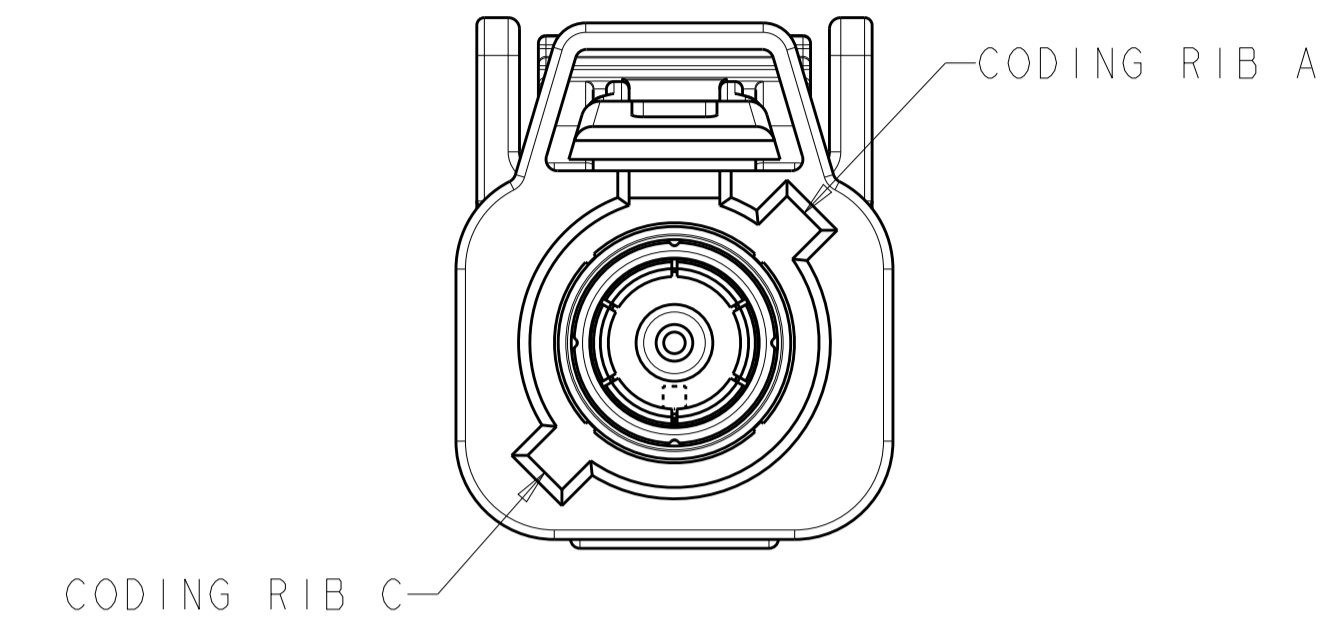
LOC		DIST		REVISIONS			
P	LTN	DESCRIPTION	DATE	DMN	APVD		
-	-	SEE SHEET 1	-	-	-		



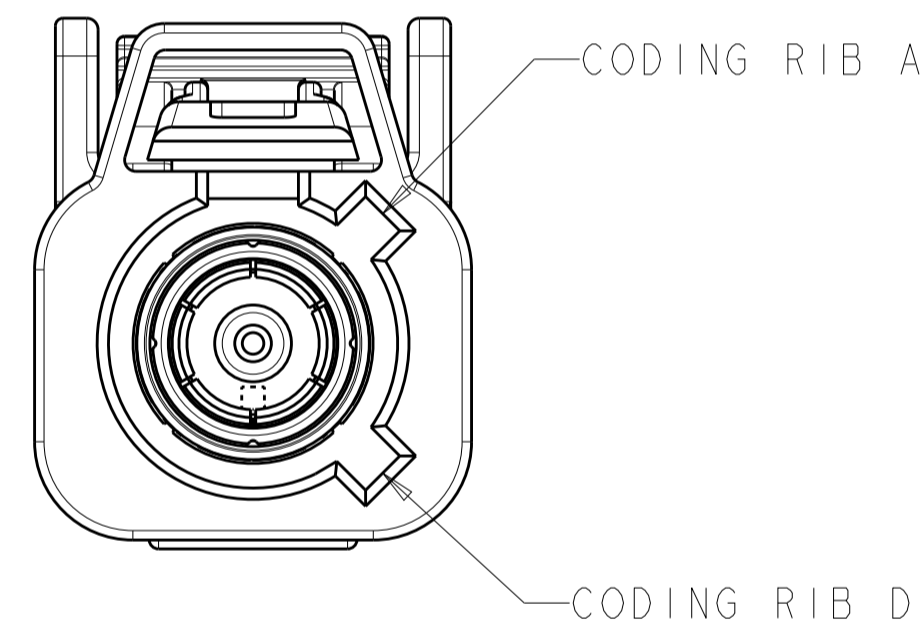
DETAIL A



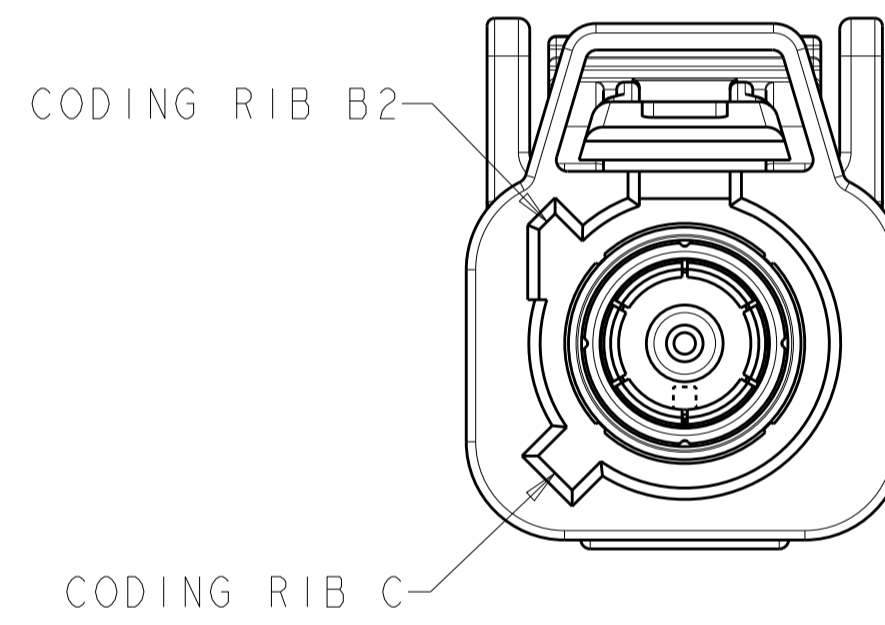
DETAIL B



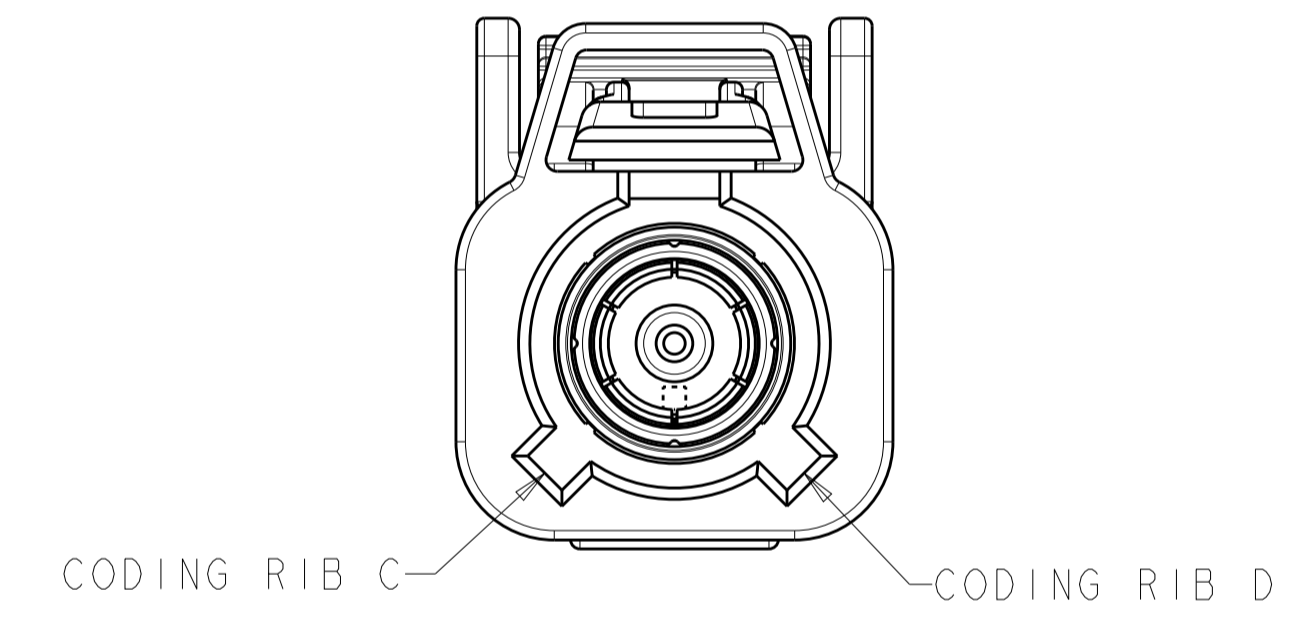
DETAIL C



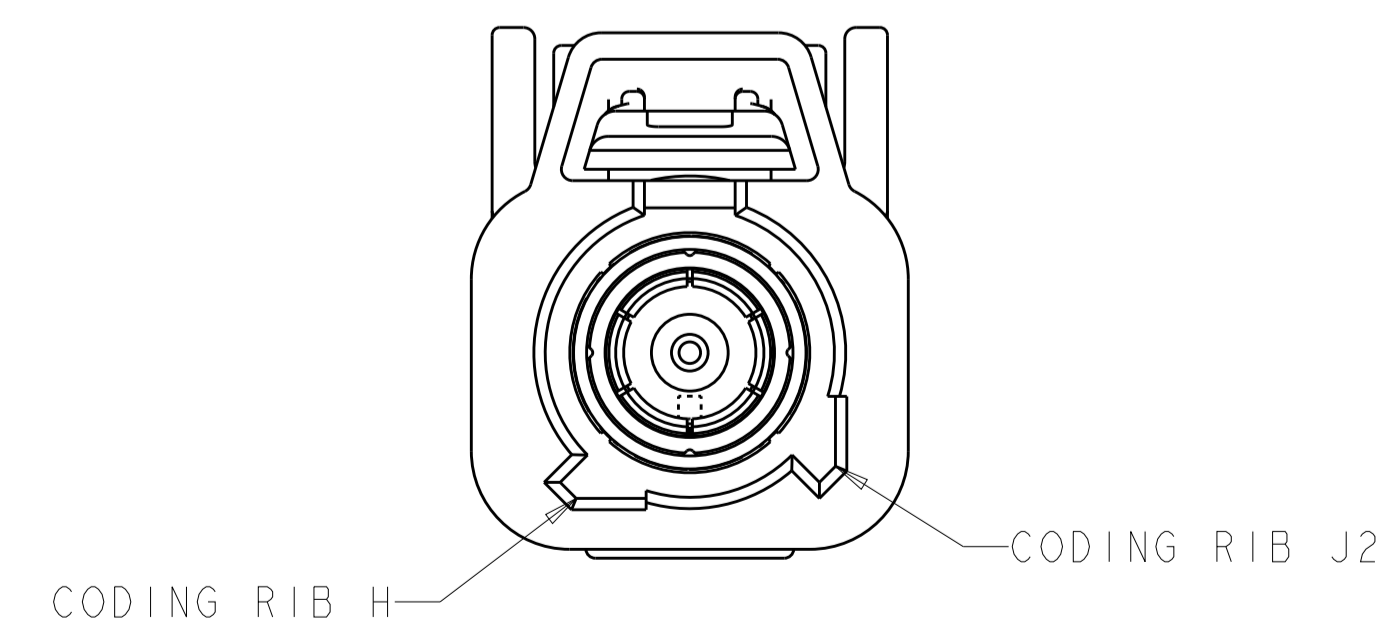
DETAIL D



DETAIL H



DETAIL K



DETAIL M

THIS DRAWING IS A CONTROLLED DOCUMENT.		DMN D. J. HARDY 05JUN2005	TE Connectivity
DIMENSIONS:		CHK J. W. HALL 25AUG2005	
mm	0 PLC ± 1 PLC ± 2 PLC ±0.25 3 PLC ± 4 PLC ± ANGLES ±	APVD J. W. HALL 25AUG2005	NAME PLUG KIT, UNASSEMBLED, 1 POSITION, RG-59, 90 DEGREE, FAKRA, SMB
MATERIAL		FINISH	RESTRICTED TO
TOLERANCES UNLESS OTHERWISE SPECIFIED:		APPLICATION SPEC	SIZE A100779C=776683
MATERIAL		FINISH	SCALE 5:1
CUSTOMER DRAWING		WEIGHT	SHEET 2 OF 2
		REVISIONS	REV B1