



# Go-No Go AC Current Sensing Relay



## Specifications

### Electrical

**Input Supply Voltage:** None Required  
**Pick-Up Range:** 5.0 Amps  $\pm$ 12%  
**Power Up Delay:** 0.1Sec. Fixed  
**Drop-Out Range:** 4.5 Amps  $\pm$ 7%  
**Drop-Out Delay:** None  
**Frequency:** 50/60Hz  
**Maximum Current:**  
 200 Amps LRA, 15 Seconds max.  
 64 Amps FLA, Continuous  
**Reset:** Automatic  
**Output Rating @ 25°C:**  
 10 Amps @ 250VAC, 30VDC (UL)  
 300W (D.C.), 2500VA (A.C.) Max.  
 switching power (resistive)

6,000 Full Load Electrical Cycles (UL)  
 100,000 Full Load Electrical Cycles  
 20,000,000 Mechanical Cycles

### Physical

**Maximum Load Wire Diameter:**  
 0.560" Dia.  
**Mounting:** Surface or DIN Rail  
**Termination:**  
 #16 Stranded Wire Leads  
**Packaging:** Dust Cover  
**Weight:** 18 Oz.

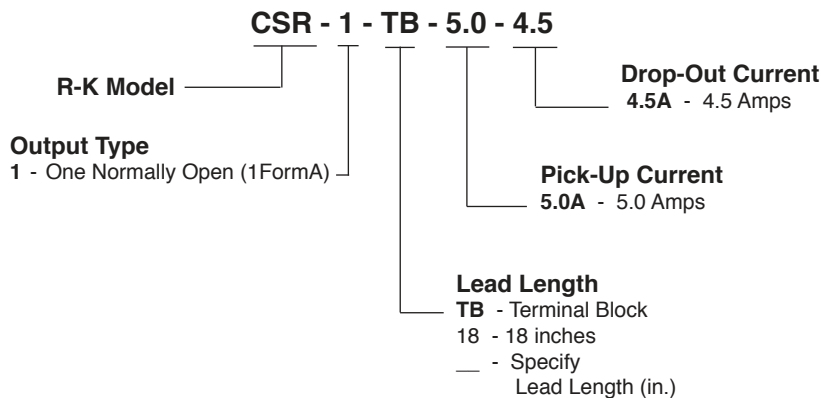
### Ambient Temperatures

Operating: 0°C to 55°C  
 Storage: -10°C to 85°C



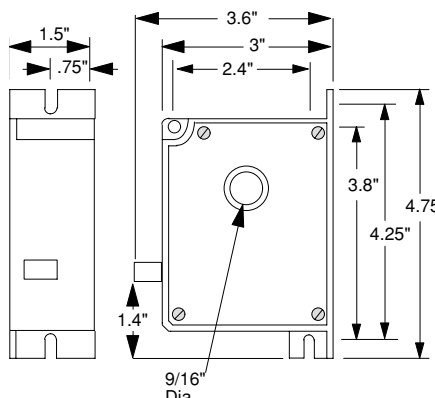
- Self Powered
- 4 to 200 Amps AC
- 10 Amp Contact
- Screw Terminals or Stranded Wire Leads
- Large Wire Thru Hole
- DIN Rail Mountable
- Compact Design
- Low Cost

## Ordering Information

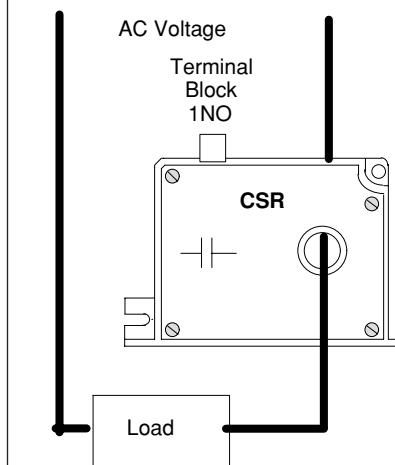


## DIN Rail Bracket #DRB-4

## Dimensions



## Connections



Also UL Recognized Component as a Current Sensitive Relay under file E157410.

## Operation

### AC Current Sensing

The CSR generates its own operating power supply from the monitored current line. No external power supply is needed. A current greater than the pick-up current is required to energize the output relay. The output relay will stay energized until the current in the line being monitored drops below the drop-out current level for the CSR.

