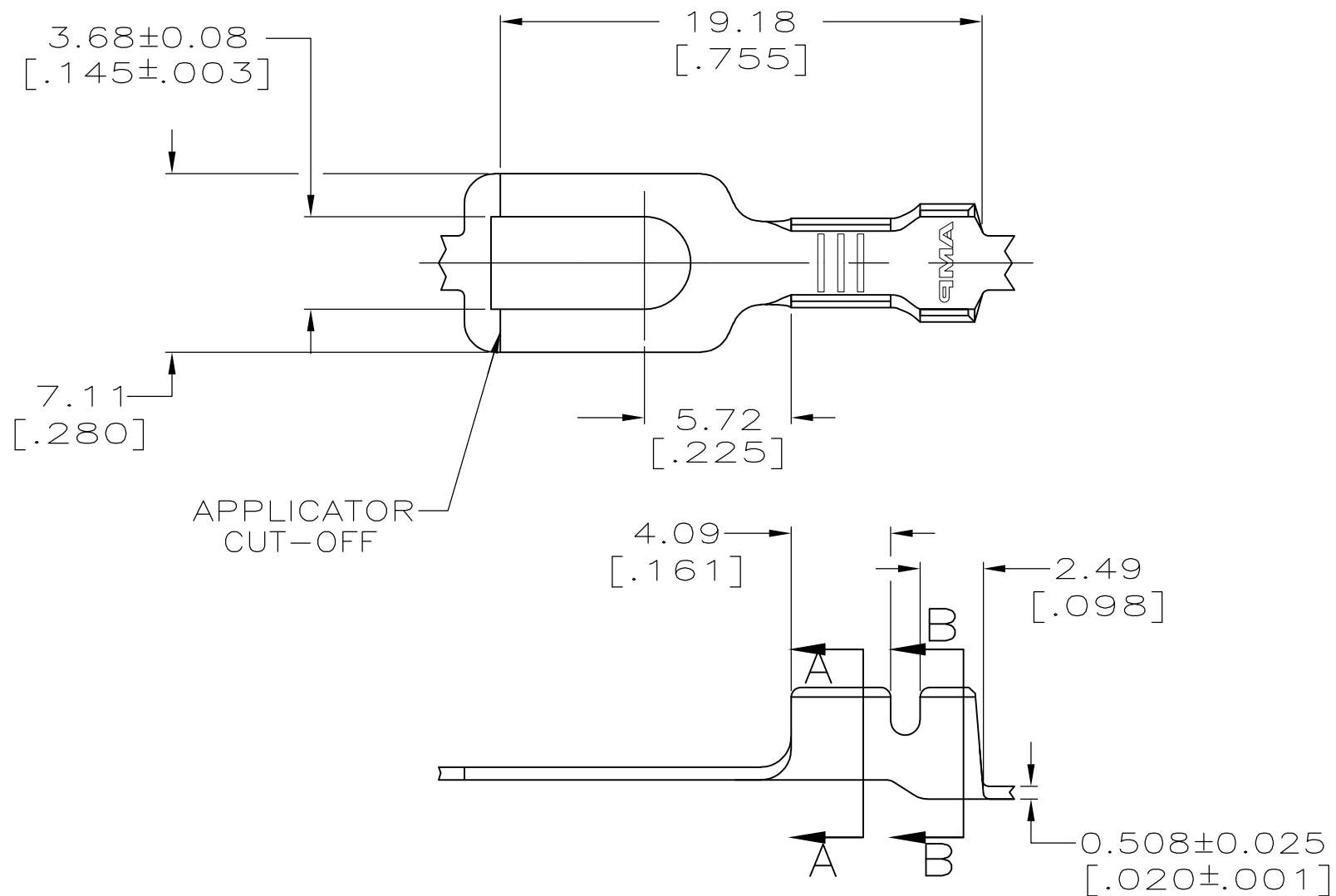
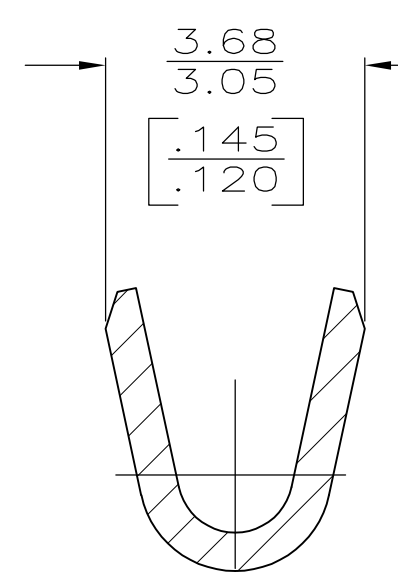


THIS DRAWING IS UNPUBLISHED. RELEASED FOR PUBLICATION
 © COPYRIGHT BY TYCO ELECTRONICS CORPORATION. ALL INTERNATIONAL RIGHTS RESERVED.

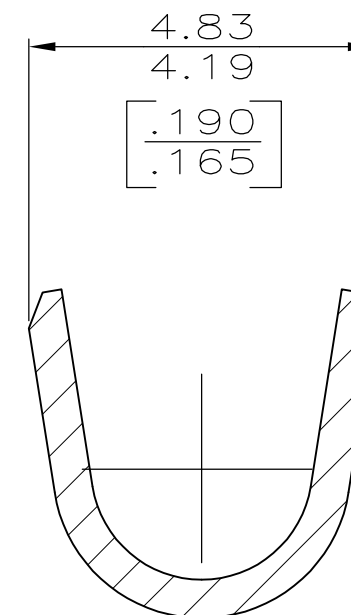
LOC	DIST	REVISIONS			
P	LTR	DESCRIPTION	DATE	DWN	APVD
	J	REVISED PER ECR-10-006099	07JUL10	HMR	PD



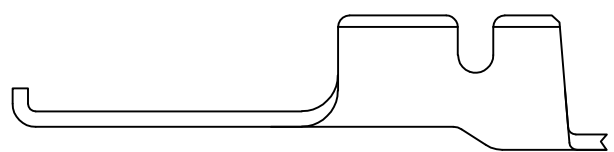
1. CONTINUOUS STRIP ON REEL
2. WIRE SIZE IS #20-#16 AWG
3. INSULATION RANGE IS 2.54-3.56
[.100-.140] DIA



SECTION A-A
SCALE 10:1



SECTION B-B
SCALE 10:1



FLANGED IN APPLICATOR

TIN	60389-2
-	60389-1
FINISH	PART NUMBER

THIS DRAWING IS A CONTROLLED DOCUMENT.		DWN PHILLIP M FORTNEY 16/DEC/97	Tyco Electronics Corporation Harrisburg, PA 17105-3608		
DIMENSIONS: mm [INCHES]		CHK JEFF R RUTH 16/DEC/97	Tyco Electronics		
TOLERANCES UNLESS OTHERWISE SPECIFIED:		APVD GARY YETTER 16/DEC/97	NAME		
0 PLC ± -		PRODUCT SPEC	SPADE		
1 PLC ± -		APPLICATION SPEC	RESTRICTED TO		
2 PLC ± 0.25 [.010]		WEIGHT	SIZE	CAGE CODE	DRAWING NO
3 PLC ± -		—	A3	00779	C-60389
4 PLC ± -		MATERIAL	SCALE 4:1 SHEET 1 OF 1 REV J		
ANGLES ± -		082 BRASS	CUSTOMER DRAWING		
FINISH		SEE TABLE	SCALE 4:1 SHEET 1 OF 1 REV J		