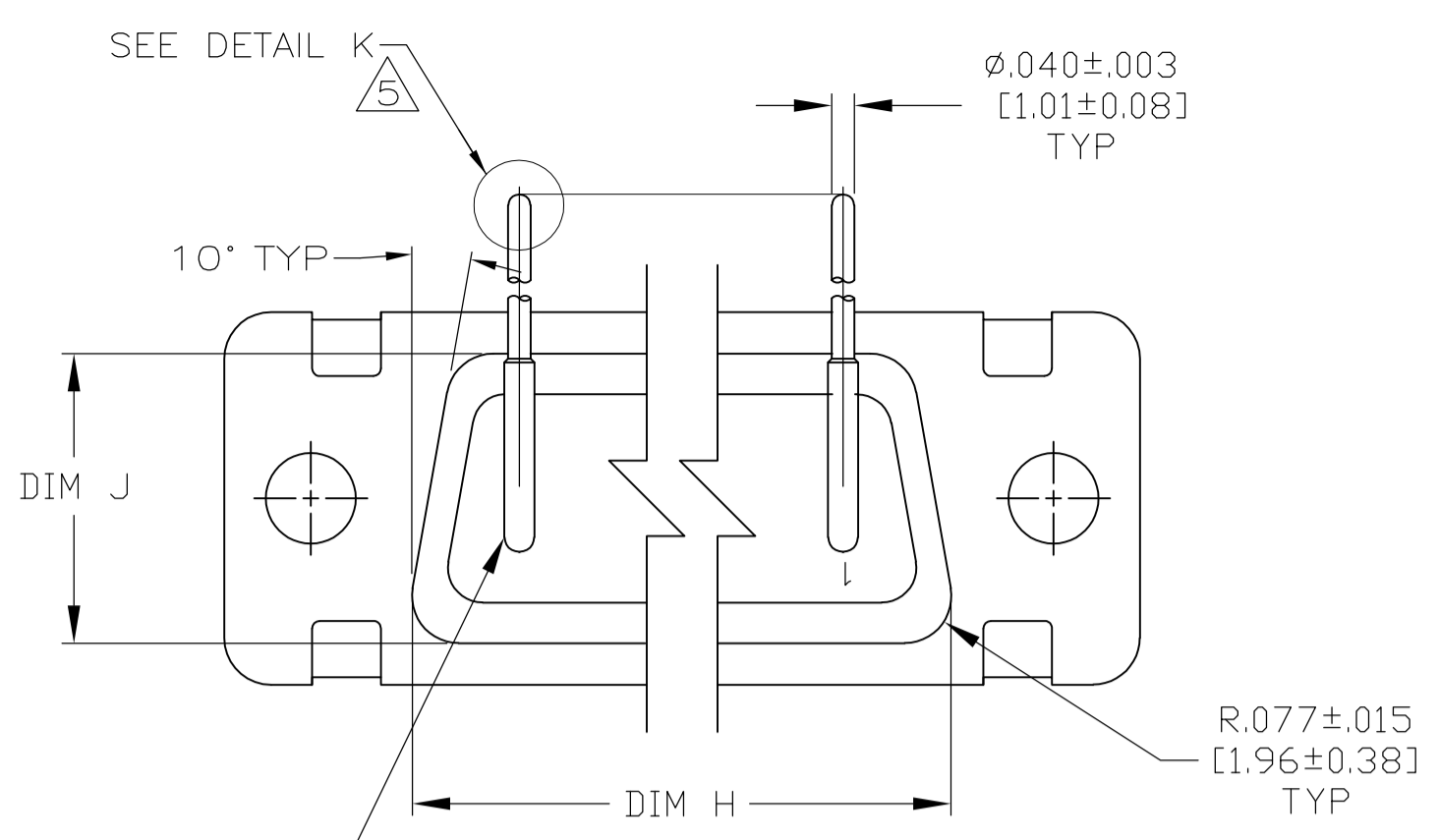
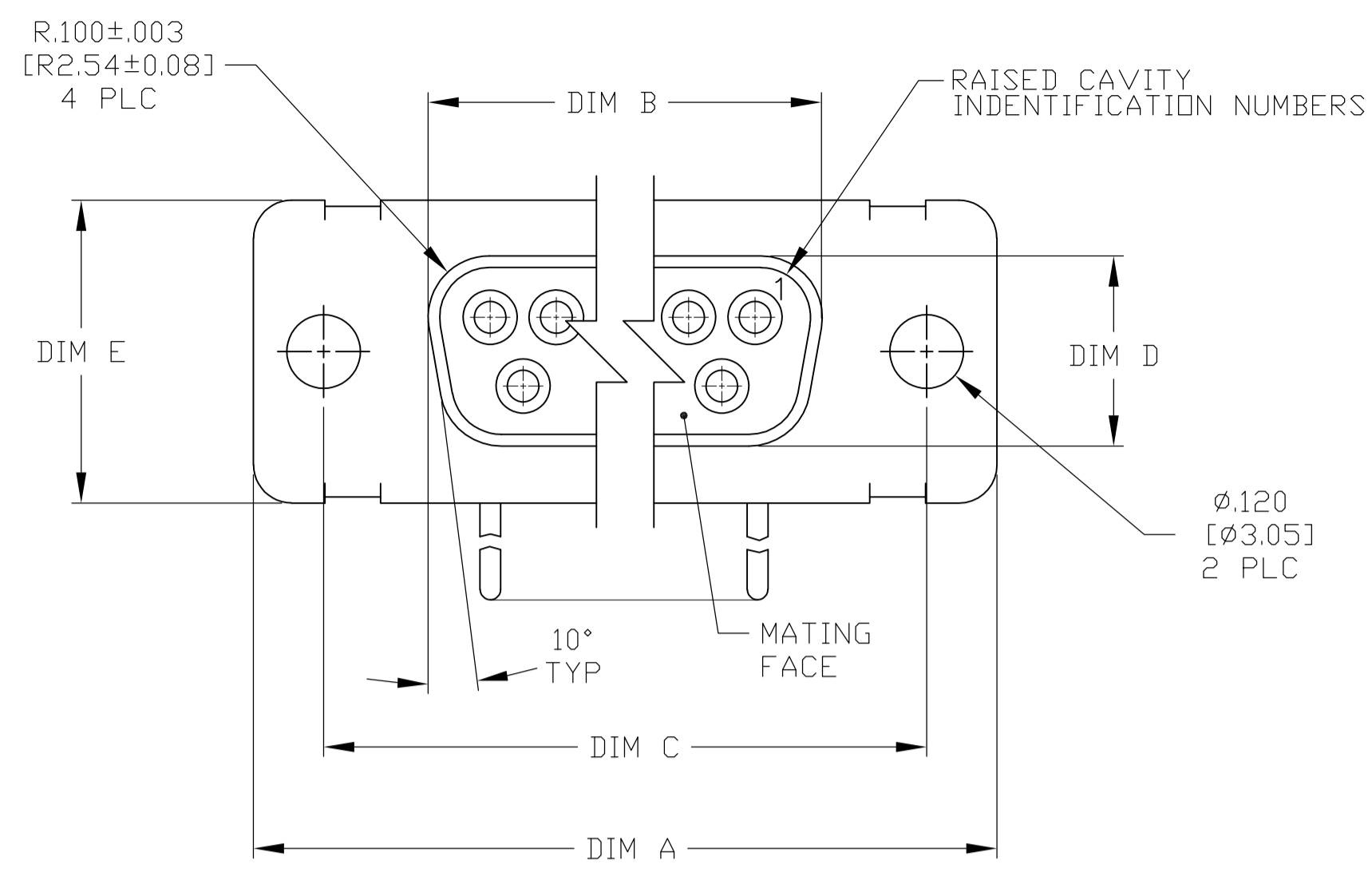


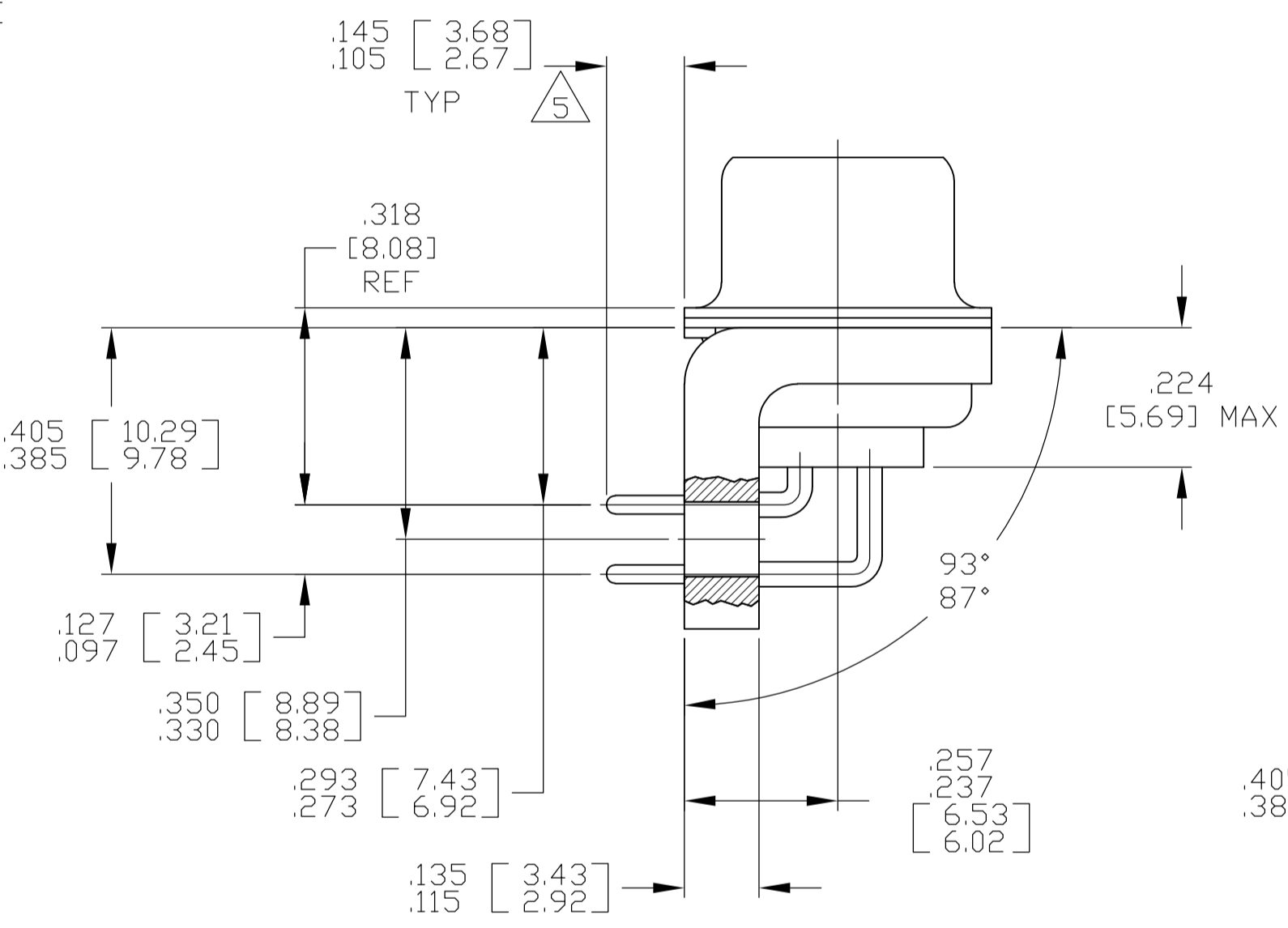
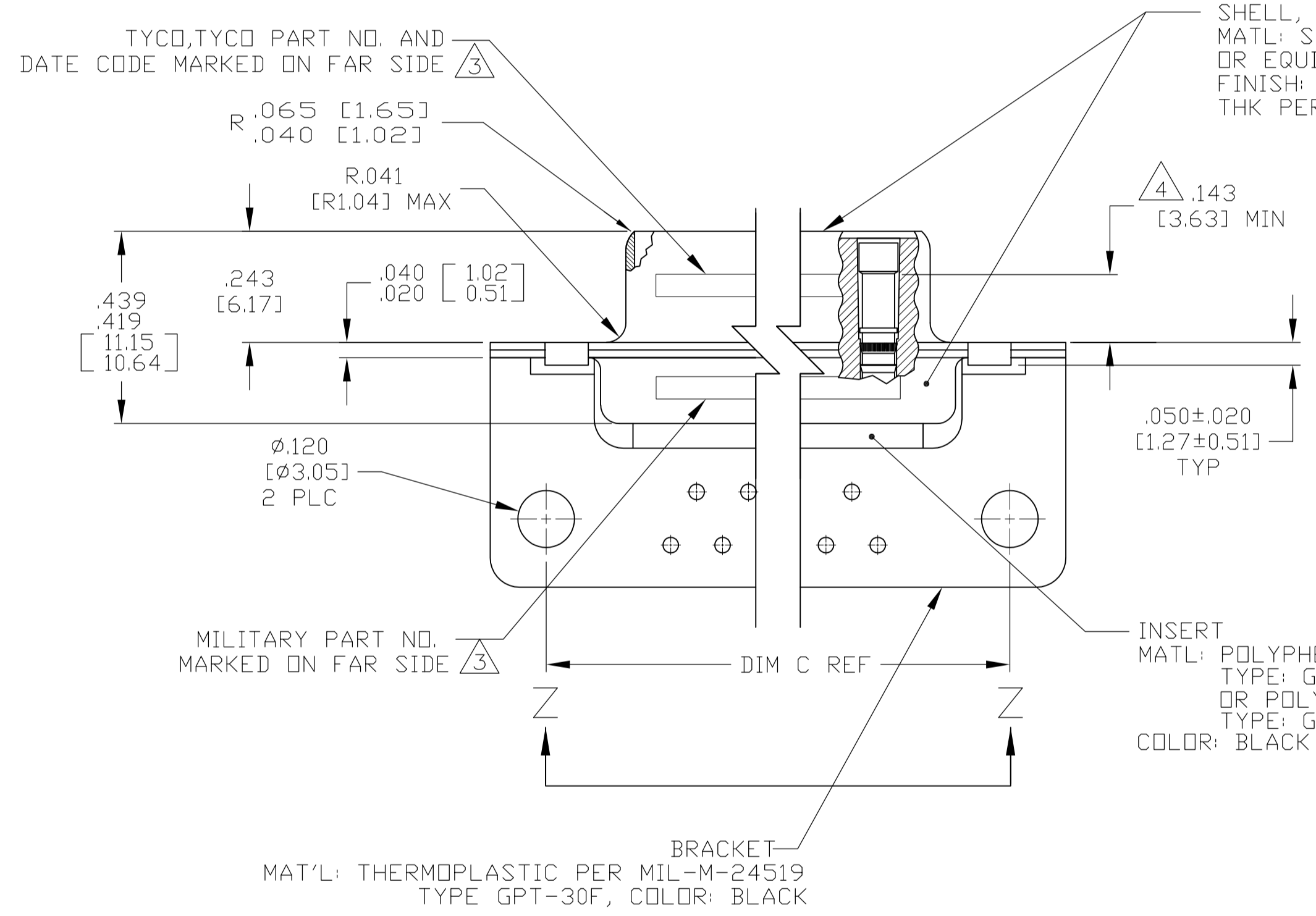
| LOC | DIST | REVISIONS | | | |
|-----|------|-------------|---------------|-----------|--------|
| DF | AO | REV | DESCRIPTION | DATE | BY |
| A | | REVISED PER | ECO-13-002047 | 05FEB2013 | MGM CT |



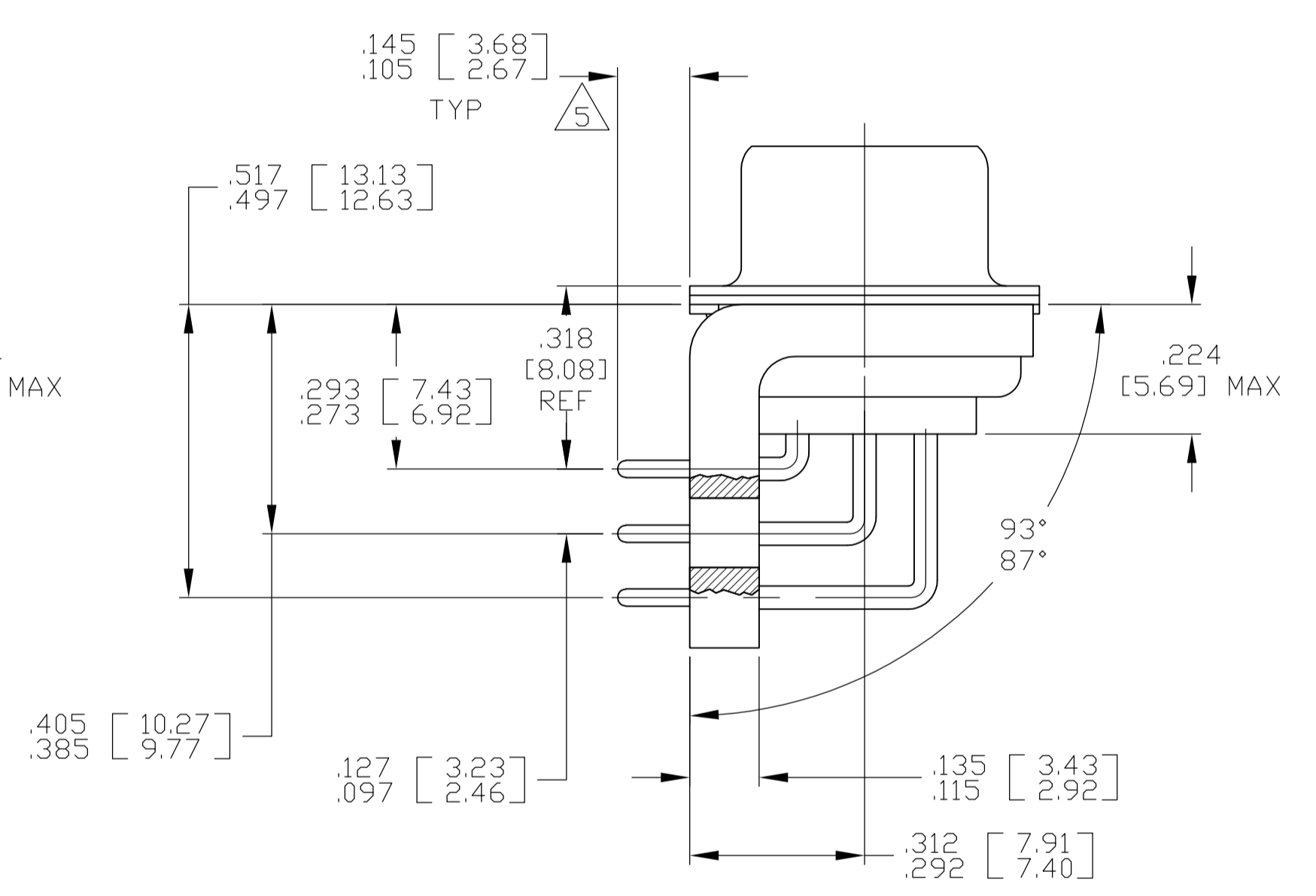
VIEW Z-Z
SHOWN WITH BRACKET REMOVED FOR CLARITY

CONTACT (QTY = NO. OF POSN)
MATL: BRASS PER ASTM-B-16, OR BERYLLIUM COPPER PER ASTM-B-194
FINISH: GOLD PER ASTM-B-488, TYPE II, GRADE C, CLASS 1.27 IN CONTACT MATING AREA, .000010 [0.0003] MIN THK GOLD PER ASTM-B-488 OVER .000050 [0.0013] MIN THK NICKEL PER SAE-AMS-QQ-N-290 ON CONTACT BODY

- SEE SHEET 2 FOR RECOMMENDED P.C. BOARD LAYOUT. TRUE POSITION TOLERANCE FOR P.C. BOARD LAYOUT IS .010 [0.25] AT MAX MATERIAL CONDITION. SUGGESTED BOARD THICKNESS IS .062 [1.57]
- THE CONNECTORS DESCRIBED IN THIS DOCUMENT MEET THE REQUIREMENTS OF MIL-C-24308 AND MATE WITH ANY PLUG CONNECTOR WITH SAME INSERT ARRANGEMENT.
- MARKED WITH .047 [1.19]-.062 [1.57] HIGH CHARACTERS. FAR SIDE REFERS TO THE WIDE SIDE OF THE KEYSTONE. NEAR SIDE REFERS TO THE NARROW SIDE OF THE KEYSTONE. IF THE REAR SHELL IS TOO SMALL FOR THE ENTIRE MILITARY PART NUMBER, MARKING SHALL BE LOCATED AS FOLLOWS:
A. "M24308" ON FRONT SHELL, FAR SIDE.
B. SLASH SHEET AND DASH NUMBER ON REAR SHELL, FAR SIDE.
C. "TYCO" AND DATE CODE ON FRONT SHELL, NEAR SIDE.
D. TYCO PART NUMBER ON REAR SHELL, NEAR SIDE.
IF THE FRONT SHELL IS TOO SMALL FOR "TYCO", TYCO PART NUMBER AND DATE CODE, MARKING SHALL BE SPLIT AS FOLLOWS:
A. TYCO PART NUMBER ON REAR SHELL, NEAR SIDE.
B. "TYCO" AND DATE CODE ON FRONT SHELL, NEAR SIDE.
C. MILITARY PART NUMBER ON REAR SHELL, FAR SIDE.
- POINT OF ELECTRICAL ENGAGEMENT - AS MEASURED WITH A .0390-.0393 [0.991-0.998] DIA SQUARE ENDED PIN.
- SOLDER DIPPED PER J-STD-001 WITH Sn63 SOLDER PER J-STD-006 IN THE ENTIRE AREA OF DIMENSION SHOWN. (1757842-6 THRU -10 ONLY.)
- MEETS SOLDERABILITY PER MIL-STD-202 METHOD 208.



SHELL SIZES 1 THRU 4 CONTACT CONFIGURATION

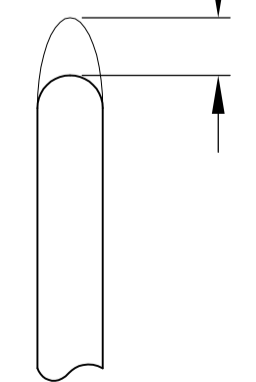


SHELL SIZE 5 CONTACT CONFIGURATION

| | | | | | | |
|--------------|---------------|--------------|--------------|---------------|---------------|---------------|
| .544 [13.82] | 2.188 [55.58] | .620 [15.75] | .428 [10.87] | 2.411 [61.24] | 2.069 [52.55] | 2.650 [67.31] |
| .524 [13.31] | 2.168 [55.07] | .590 [14.99] | .418 [10.62] | 2.401 [60.99] | 2.059 [52.30] | 2.620 [66.55] |
| .432 [10.97] | 2.282 [57.96] | .509 [12.93] | .316 [8.03] | 2.505 [63.63] | 2.164 [54.97] | 2.744 [69.70] |
| .412 [10.46] | 2.262 [57.45] | .479 [12.17] | .306 [7.77] | 2.495 [63.37] | 2.154 [54.71] | 2.714 [68.94] |
| .432 [10.97] | 1.635 [41.53] | .509 [12.93] | .316 [8.03] | 1.857 [47.17] | 1.516 [38.51] | 2.103 [53.42] |
| .412 [10.46] | 1.615 [41.02] | .479 [12.17] | .306 [7.77] | 1.847 [46.91] | 1.506 [38.25] | 2.073 [52.65] |
| .432 [10.97] | 1.093 [27.76] | .509 [12.93] | .316 [8.03] | 1.317 [33.45] | .976 [24.79] | 1.556 [39.52] |
| .412 [10.46] | 1.073 [27.25] | .479 [12.17] | .306 [7.77] | 1.307 [33.20] | .966 [24.54] | 1.526 [38.76] |
| .432 [10.97] | .769 [19.53] | .509 [12.93] | .316 [8.03] | .989 [25.12] | .648 [16.46] | 1.228 [31.19] |
| .412 [10.46] | .749 [19.02] | .479 [12.17] | .306 [7.77] | .979 [24.87] | .638 [16.21] | 1.198 [30.43] |
| .544 [13.82] | 2.188 [55.58] | .620 [15.75] | .428 [10.87] | 2.411 [61.24] | 2.069 [52.55] | 2.650 [67.31] |
| .524 [13.31] | 2.168 [55.07] | .590 [14.99] | .418 [10.62] | 2.401 [60.99] | 2.059 [52.30] | 2.620 [66.55] |
| .432 [10.97] | 2.282 [57.96] | .509 [12.93] | .316 [8.03] | 2.505 [63.63] | 2.164 [54.97] | 2.744 [69.70] |
| .412 [10.46] | 2.262 [57.45] | .479 [12.17] | .306 [7.77] | 2.495 [63.37] | 2.154 [54.71] | 2.714 [68.94] |
| .432 [10.97] | 1.635 [41.53] | .509 [12.93] | .316 [8.03] | 1.857 [47.17] | 1.516 [38.51] | 2.103 [53.42] |
| .412 [10.46] | 1.615 [41.02] | .479 [12.17] | .306 [7.77] | 1.847 [46.91] | 1.506 [38.25] | 2.073 [52.65] |
| .432 [10.97] | 1.093 [27.76] | .509 [12.93] | .316 [8.03] | 1.317 [33.45] | .976 [24.79] | 1.556 [39.52] |
| .412 [10.46] | 1.073 [27.25] | .479 [12.17] | .306 [7.77] | 1.307 [33.20] | .966 [24.54] | 1.526 [38.76] |
| .432 [10.97] | .769 [19.53] | .509 [12.93] | .316 [8.03] | .989 [25.12] | .648 [16.46] | 1.228 [31.19] |
| .412 [10.46] | .749 [19.02] | .479 [12.17] | .306 [7.77] | .979 [24.87] | .638 [16.21] | 1.198 [30.43] |

| DIM J | DIM H | DIM E | DIM D | DIM C | DIM B | DIM A | INSERT ARRANGEMENT | NO OF POS | SHELL SIZE | MILITARY P/N ON CONNECTOR | TYCO P/N MARKED ON CONNECTOR | TYCO PART NO. |
|--------------|---------------|--------------|--------------|---------------|---------------|---------------|--------------------|-----------|------------|---------------------------|------------------------------|---------------|
| .544 [13.82] | 2.188 [55.58] | .620 [15.75] | .428 [10.87] | 2.411 [61.24] | 2.069 [52.55] | 2.650 [67.31] | MS18277-1 | 50 | 5 | M24308/23-41Z | 1757842-5 | 1-1757842-0 |
| .524 [13.31] | 2.168 [55.07] | .590 [14.99] | .418 [10.62] | 2.401 [60.99] | 2.059 [52.30] | 2.620 [66.55] | MS18276-1 | 37 | 4 | M24308/23-40Z | 1757842-4 | 1757842-9 |
| .432 [10.97] | 2.282 [57.96] | .509 [12.93] | .316 [8.03] | 2.505 [63.63] | 2.164 [54.97] | 2.744 [69.70] | MS18275-1 | 25 | 3 | M24308/23-39Z | 1757842-3 | 1757842-8 |
| .412 [10.46] | 2.262 [57.45] | .479 [12.17] | .306 [7.77] | 2.495 [63.37] | 2.154 [54.71] | 2.714 [68.94] | MS18274-1 | 15 | 2 | M24308/23-38Z | 1757842-2 | 1757842-7 |
| .432 [10.97] | 1.635 [41.53] | .509 [12.93] | .316 [8.03] | 1.857 [47.17] | 1.516 [38.51] | 2.103 [53.42] | MS18273-1 | 9 | 1 | M24308/23-37Z | 1757842-1 | 1757842-6 |
| .412 [10.46] | 1.615 [41.02] | .479 [12.17] | .306 [7.77] | 1.847 [46.91] | 1.506 [38.25] | 2.073 [52.65] | MS18277-1 | 50 | 5 | M24308/23-41Z | 1757842-5 | 1757842-5 |
| .432 [10.97] | 2.282 [57.96] | .509 [12.93] | .316 [8.03] | 2.505 [63.63] | 2.164 [54.97] | 2.744 [69.70] | MS18276-1 | 37 | 4 | M24308/23-40Z | 1757842-4 | 1757842-4 |
| .412 [10.46] | 2.262 [57.45] | .479 [12.17] | .306 [7.77] | 2.495 [63.37] | 2.154 [54.71] | 2.714 [68.94] | MS18275-1 | 25 | 3 | M24308/23-39Z | 1757842-3 | 1757842-3 |
| .432 [10.97] | 1.635 [41.53] | .509 [12.93] | .316 [8.03] | 1.857 [47.17] | 1.516 [38.51] | 2.103 [53.42] | MS18274-1 | 15 | 2 | M24308/23-38Z | 1757842-2 | 1757842-2 |
| .412 [10.46] | 1.615 [41.02] | .479 [12.17] | .306 [7.77] | 1.847 [46.91] | 1.506 [38.25] | 2.073 [52.65] | MS18273-1 | 9 | 1 | M24308/23-37Z | 1757842-1 | 1757842-1 |

.030 [0.76] MAX EXTENSION PERMISSIBLE DUE TO SOLDER DIPPING



DETAIL K
SCALE 10:1
FOR 1757842-6 THRU -10 ONLY

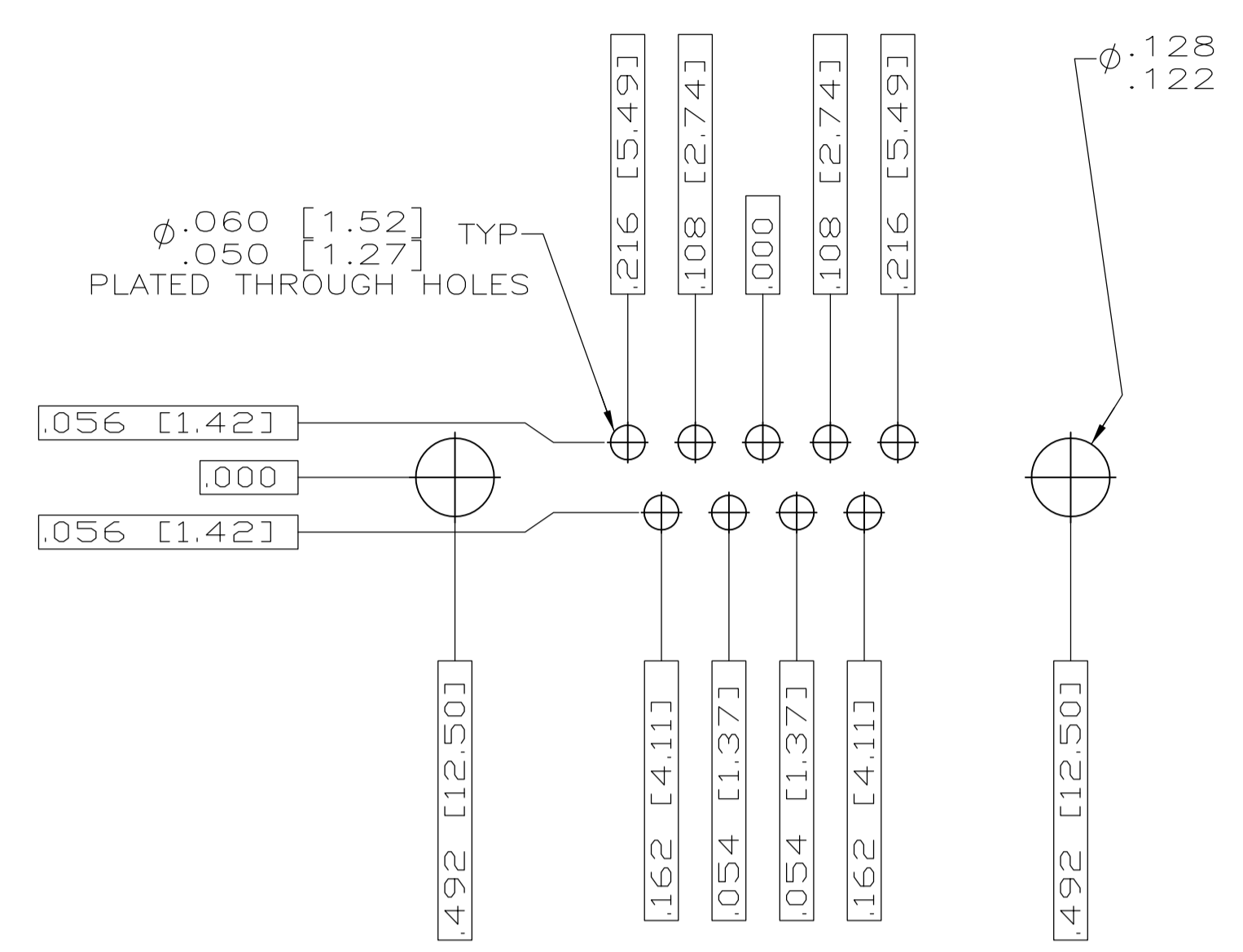
THIS DRAWING IS A CONTROLLED DOCUMENT.

DMN: C.C. THOMAS 3-22-06
CHK: D. MILLER 3-27-06
APP'D: D. MILLER 3-27-06

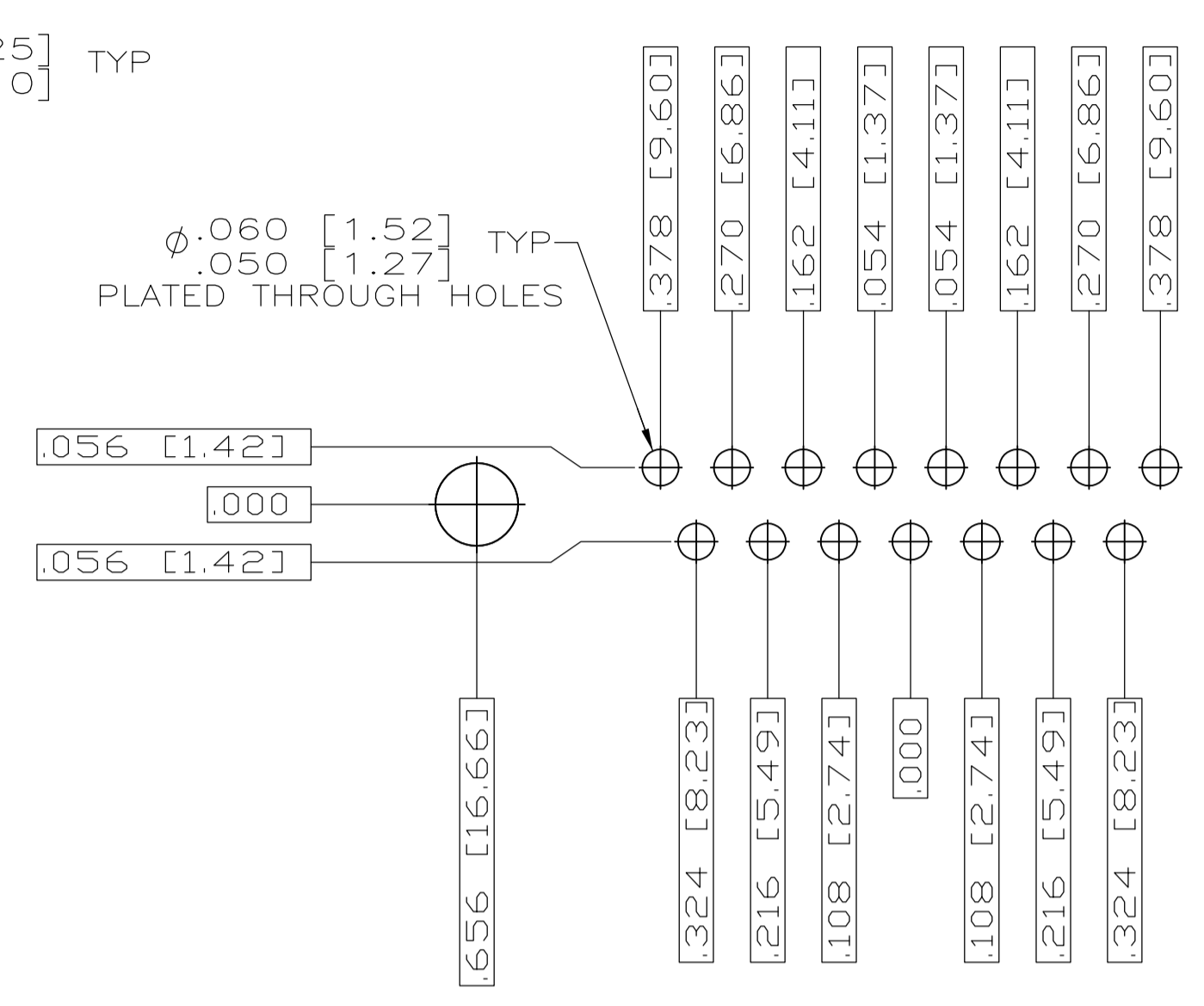
RECEPTACLE ASSEMBLY, AMPLIMITE, RT ANGLE, SERIES 109, SIZE 1 THRU 5

SIZE: A1 CASE CODE: 00779 DRAWING NO: 1757842

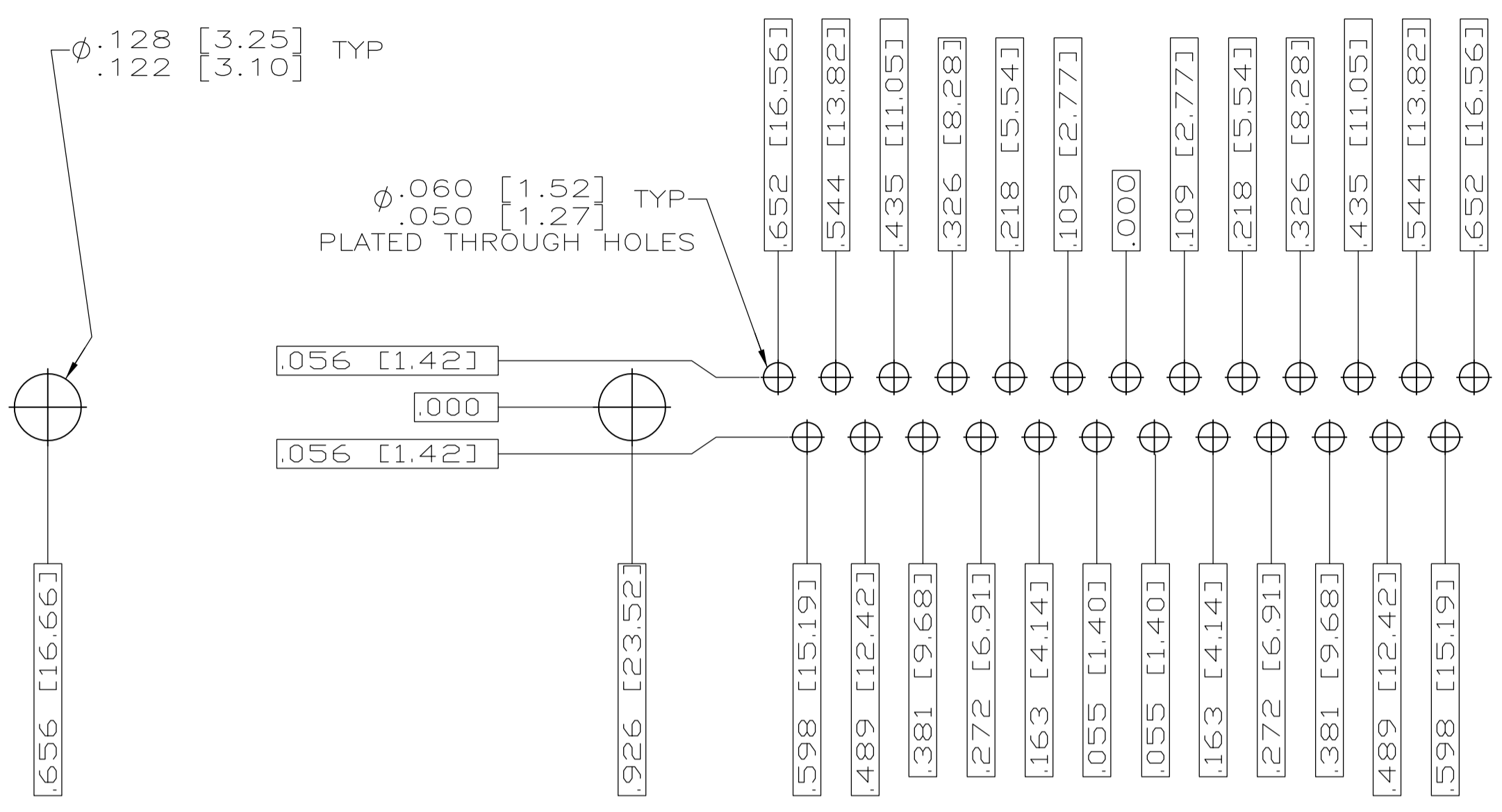
SCALE: 4:1 SHEET: 1 OF 2



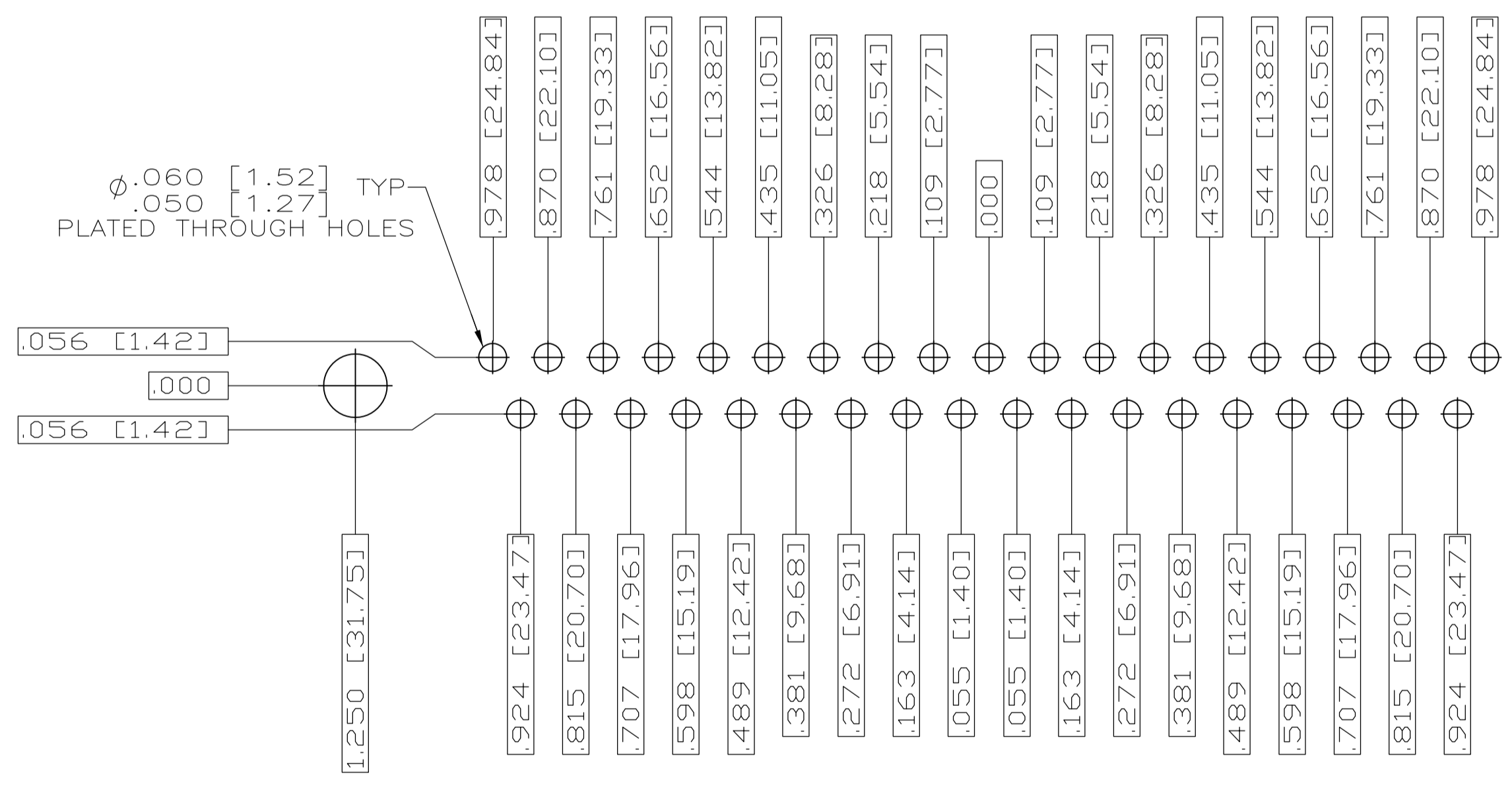
RECOMMENDED P.C. BOARD LAYOUT
SHELL SIZE 1 (9 POSITION) Δ



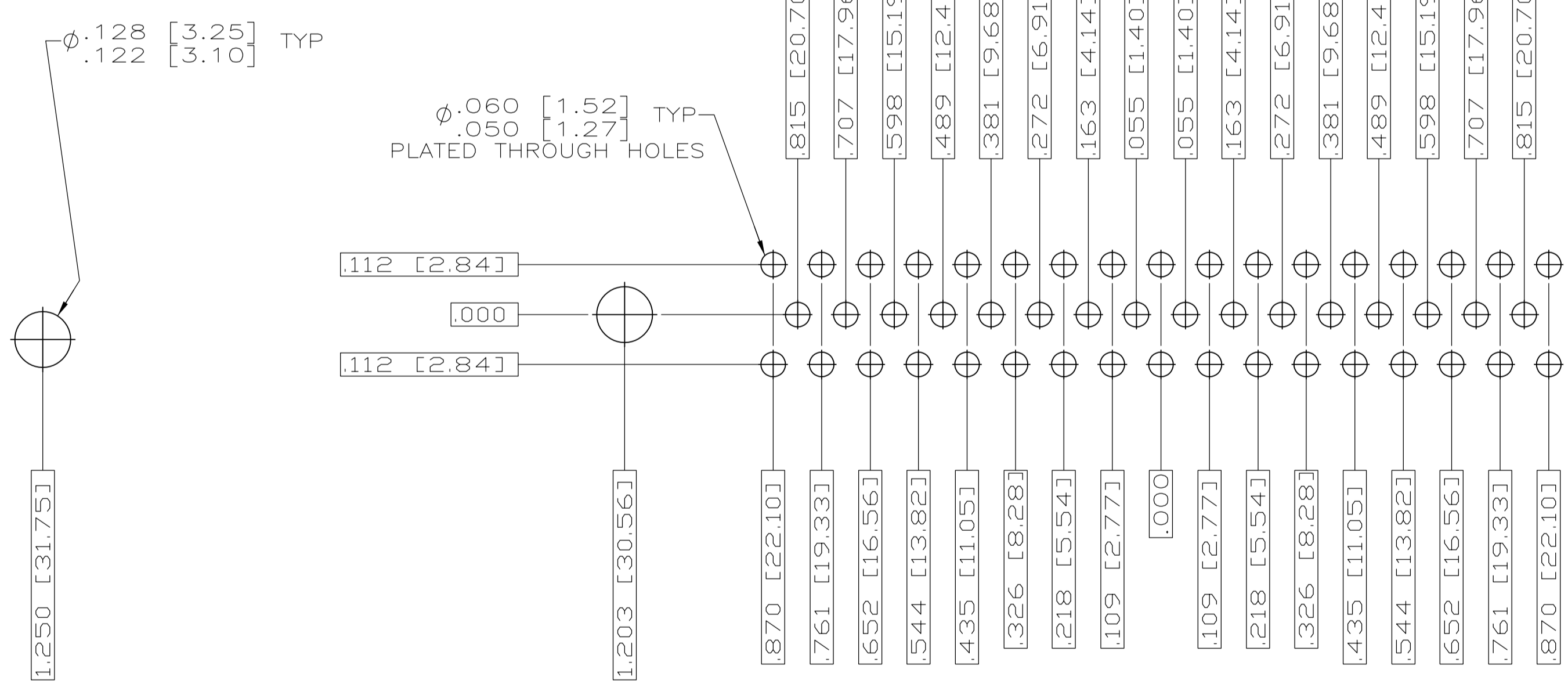
RECOMMENDED P.C. BOARD LAYOUT
SHELL SIZE 2 (15 POSITION) Δ



RECOMMENDED P.C. BOARD LAYOUT
SHELL SIZE 3 (25 POSITION) Δ



RECOMMENDED P.C. BOARD LAYOUT
SHELL SIZE 4 (37 POSITION) Δ



RECOMMENDED P.C. BOARD LAYOUT
SHELL SIZE 5 (50 POSITION) Δ

| | | | |
|--|--|-----------------------------|--|
| THIS DRAWING IS A CONTROLLED DOCUMENT. | | DN C.C.THOMAS 3-22-06 | TE Connectivity |
| DIMENSIONS: INCHES | | CHK D.HOFFMAN 3-27-06 | |
| TOLERANCES UNLESS OTHERWISE SPECIFIED: | | APVD D.MILLER 3-27-06 | NAME RECEPTACLE ASSEMBLY,AMPLITE RIGHT ANGLE,SERIES 109,SIZE 1 THRU 5 |
| 0 PLC ± .010 1 PLC ± .008 2 PLC ± .005 3 PLC ± .003 4 PLC ± .002 ANGLES ± .1° | | APPLICATION SPEC | SIZE A1 |
| MATERIAL SEE CALLOUTS | | WEIGHT | CAGE CODE 1757842 |
| | | CUSTOMER DRAWING | RESTRICTED TO SCALE 4:1 SHEET 2 OF 2 REV A |