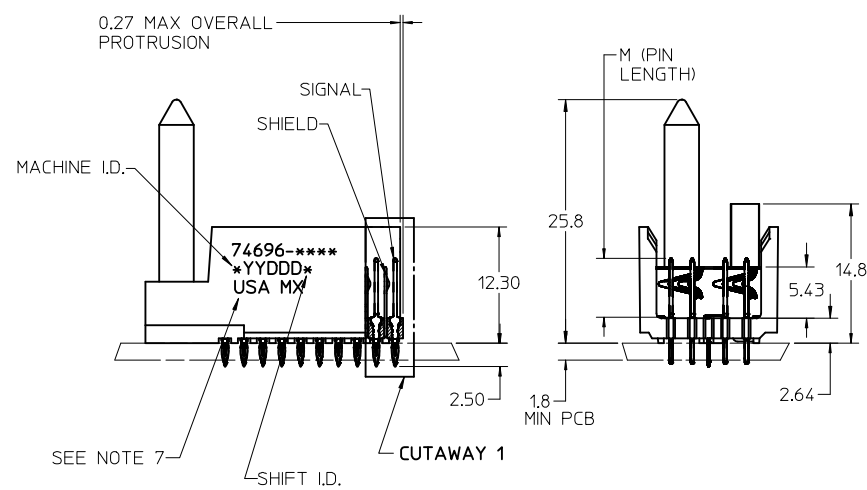
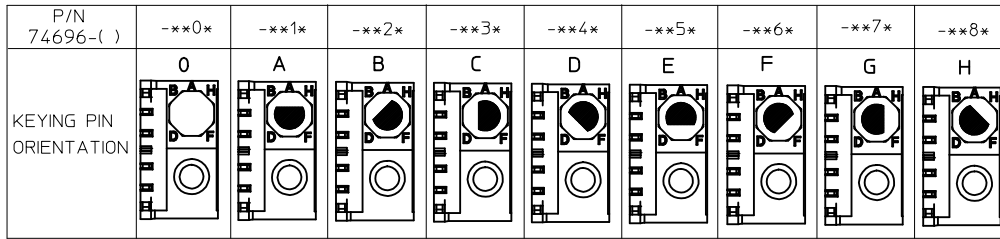


THE PRIMARY CARTON WITH A LABEL STATING "ELV AND RoHS COMPLIANT" IS LEAD FREE. CARTONS WITHOUT THIS LABEL MAY CONTAIN LEAD.



- NOTES:
1. MATERIAL: HOUSING -LIQUID CRYSTAL POLYMER (LCP) GLASS-FILLED. UL 94 V-0. COLOR: BLACK. SIGNAL & SHIELD -COPPER ALLOY.
 2. FINISHES: SELECTIVE GOLD (Au) ON CONTACT AREA. SELECTIVE MATTE TIN (Sn) ON PCB TAILS. NICKEL (Ni) OVERALL.
 3. THIS PART CONFORMS TO MOLEX PRODUCT SPECIFICATION PS-74031-999.
 4. FOR MIXED CONTACT MATING LENGTHS CONSULT MOLEX FOR AVAILABILITY.
 5. FOR SPECIFIC PART NUMBER AND MATING INFORMATION REFER TO SHEET 2.
 6. PACKAGE PER PK-74696-003.
 7. EITHER MARK PART NUMBER AND DATE CODE APPROXIMATELY WHERE SHOWN OR PLACE LABEL ON THE TUBE.
 8. THIS PART CONFORMS TO CLASS B REQUIREMENTS OF MOLEX COSMETIC SPECIFICATION PS-45499-002.
 9. MAPS (MOLEX ADVANCED PLATING SYSTEM).

| | | | | | | | | |
|---|-----------------|---|-------------|------------------------------------|------------|---|-------------------------------|------------------------|
| LEAD FREE CONVERSION EC NO: UCP2013-0687 DRAWINGS: 2012/08/21 CHKD:MWLF 2012/11/20 APPR:SMILLER 2012/12/14 REV: | QUALITY SYMBOLS | GENERAL TOLERANCES (UNLESS SPECIFIED) | | DIMENSION STYLE MM ONLY | | SCALE 2.5:1 | DESIGN UNITS METRIC | THIRD ANGLE PROJECTION |
| | ▽=0 | mm | INCH | DRAWN BY | DATE | TITLE | | |
| | ▽=0 | 4 PLACES ± | ± | MOWANG | 2001/07/23 | HSD SALES ASSEMBLY ADVANCED MATE 5 ROW SIGNAL END BACKPLANE molex DOCUMENT NO. SD-74696-003 SHEET NO. 1 OF 2 | | |
| | ▽=0 | 3 PLACES ± | ± | CHECKED BY | DATE | | | |
| | ▽=0 | 2 PLACES ± | ± | JLAURX | 2001/10/12 | | | |
| | 1 PLACE ± | ± | APPROVED BY | DATE | | | | |
| | 0 PLACE ± | ± | CBIXLER | 2001/10/12 | | | | |
| | ANGULAR ±1/2° | DRAFT WHERE APPLICABLE MUST REMAIN WITHIN DIMENSIONS | | MATERIAL NO. SEE SHEET 2 | | | | |
| | | THIS DRAWING CONTAINS INFORMATION THAT IS PROPRIETARY TO MOLEX INCORPORATED AND SHOULD NOT BE USED WITHOUT WRITTEN PERMISSION | | | | | | |

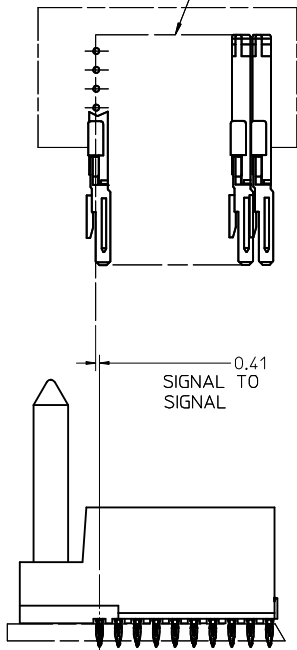


74696-***

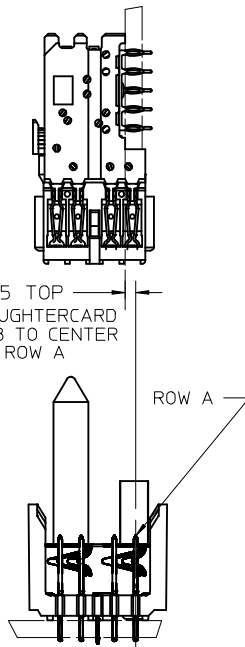
NUMBER OF COLUMNS/PLATING
 11 = 10 COLUMN MATTE TIN (FORMERLY TIN/LEAD)
 26 = 25 COLUMN MATTE TIN (FORMERLY TIN/LEAD)
 61 = 10 COLUMN MATTE TIN (MAPS)
 76 = 25 COLUMN MATTE TIN (MAPS)
 91 = 10 COLUMN MATTE TIN
 86 = 25 COLUMN MATTE TIN

CONTACT LOAD
 (PIN LENGTH)
 1 & 6 = 4.75
 2 & 7 = 6.25
 3 & 8 = 4.25
 4 & 9 = 5.15

DAUGHTERCARD
CONNECTOR SIDE



0.75 TOP
DAUGHTERCARD
PCB TO CENTER
OF ROW A



| PART NUMBER | COLUMN | NUMBER OF SIGNAL PIN | NUMBER OF SHIELD | A | B | M | GOLD THICKNESS MICROMETER | TIN THICKNESS MICROMETER | |
|-------------------|--------|----------------------|------------------|-------|-------|------|---------------------------|--------------------------|------|
| 74696-61*1 | | | | | | | 0.25 MAPS | | |
| 74696-*1*1 | 10 | 40 | 10 | 27.00 | 18.00 | 4.75 | 0.76 | 0.76-1.52 | |
| 74696-*1*6 | | | | | | | 1.27 | | |
| 74696-76*1 | | | | | | | 0.25 MAPS | | |
| 74696-*6*1 | 25 | 100 | 25 | 57.00 | 48.00 | | 0.76 | | |
| 74696-*6*6 | | | | | | | 1.27 | | |
| 74696-61*2 | | | | | | 6.25 | 0.25 MAPS | | |
| 74696-*1*2 | 10 | 40 | 10 | 27.00 | 18.00 | | | | 0.76 |
| 74696-*1*7 | | | | | | | | | 1.27 |
| 74696-76*2 | | | | | | | 0.25 MAPS | | |
| 74696-*6*2 | 25 | 100 | 25 | 57.00 | 48.00 | | 0.76 | | |
| 74696-*6*7 | | | | | | | 1.27 | | |
| 74696-61*3 | | | | | | 4.25 | 0.25 MAPS | | |
| 74696-*1*3 | 10 | 40 | 10 | 27.00 | 18.00 | | | 0.76 | |
| 74696-*1*8 | | | | | | | | 1.27 | |
| 74696-76*3 | | | | | | | 0.25 MAPS | | |
| 74696-*6*3 | 25 | 100 | 25 | 57.00 | 48.00 | | 0.76 | | |
| 74696-*6*8 | | | | | | | 1.27 | | |
| 74696-61*4 | | | | | | 5.15 | 0.25 MAPS | | |
| 74696-*1*4 | 10 | 40 | 10 | 27.00 | 18.00 | | | 0.76 | |
| 74696-*1*9 | | | | | | | | 1.27 | |
| 74696-76*4 | | | | | | | 0.25 MAPS | | |
| 74696-*6*4 | 25 | 100 | 25 | 57.00 | 48.00 | | 0.76 | | |
| 74696-*6*9 | | | | | | | 1.27 | | |

| | | | | | | | | | | | |
|--|---------------------|---------------------------------------|------|-----------------------------------|--|--|--|--|-----|-------------------------|--------------------|
| SEE SHEET 1 EC NO: UCP2013-0687 DRAWINGS 2012/08/21 CHKD:MMOLFE 2012/11/20 APPR:SMILLER 2012/12/14 | QUALITY SYMBOLS | GENERAL TOLERANCES (UNLESS SPECIFIED) | | DIMENSION STYLE MM ONLY | SCALE 2.5:1 | DESIGN UNITS METRIC | THIRD ANGLE PROJECTION | | | | |
| | | mm | INCH | DRAWN BY MQWANG | DATE 2001/07/23 | HSD SALES ASSEMBLY ADVANCED MATE 5 ROW SIGNAL END BACKPLANE molex DOCUMENT NO. SD-74696-003 SHEET NO. 2 OF 2 | | | | | |
| | | 4 PLACES | ± | --- | ± | | | | --- | CHECKED BY JLAURX | DATE 2001/10/12 |
| | | 3 PLACES | ± | --- | ± | | | | --- | APPROVED BY CBI XLER | DATE 2001/10/12 |
| 2 PLACES | ± | --- | ± | --- | MATERIAL NO. | | | | | | |
| 1 PLACE | ± | --- | ± | --- | ANGULAR ±1/2° | | SEE TABLE | | | | |
| 0 PLACE | ± | --- | ± | --- | DRAFT WHERE APPLICABLE MUST REMAIN WITHIN DIMENSIONS | | THIS DRAWING CONTAINS INFORMATION THAT IS PROPRIETARY TO MOLEX. INCORPORATED AND SHOULD NOT BE USED WITHOUT WRITTEN PERMISSION | | | | |