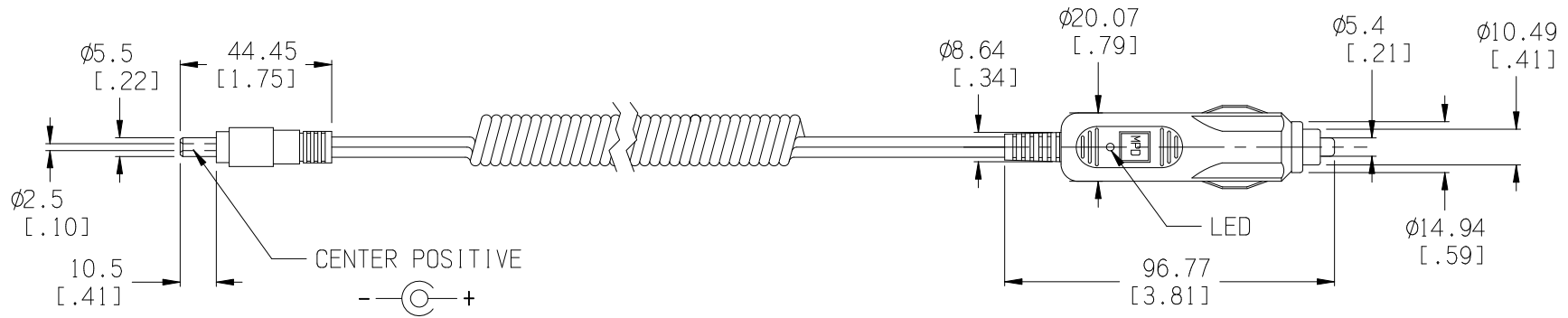


Date	SYM	REVISION RECORD	AUTH	DR.	CK.
8/04/07	A	Added wire gauge	T.B.	B.S.	
10/06/07	B	Added "ROHS COMPLIANT"	T.B.	B.S.	
08/28/14	C	UPDATED TO ROHS 2 COMPLIANT	T.B.	B.S.	



ROHS 2 COMPLIANT

BILL OF MATERIAL

BILL OF MATERIAL			Tolerance (Inches)	Memory Protection Devices, Inc.	
PART #	QTY.	DESCRIPTION		200 Broad Hollow Road, Farmingdale, New York 11735	
APP-001	1	CIGARETTE PLUG FOR 21 OR 22.2mm DIA. SOCKETS	Decimal	Scale	Drawn By B.S.
PLUG	1	DC MOLDED PLUG, 2.5 x 5.5mm	$\pm .5$ (.020)		Approved By T.B.
FUSE	1	3AG (6.35 x 30mm), 5 AMP.	Fractional	Title	
CORD	1	20 AWG CORD, STRAND 12/30, NOMINAL OD 3.2x6.4	$\pm .8$ (.030)	12' AUTO POWER COIL CORD SET WITH 2.5mm DC PLUG	
			Angular	Date	Drawing Number
			$\pm 3^\circ$	08/28/14	ZA5074-2.5

