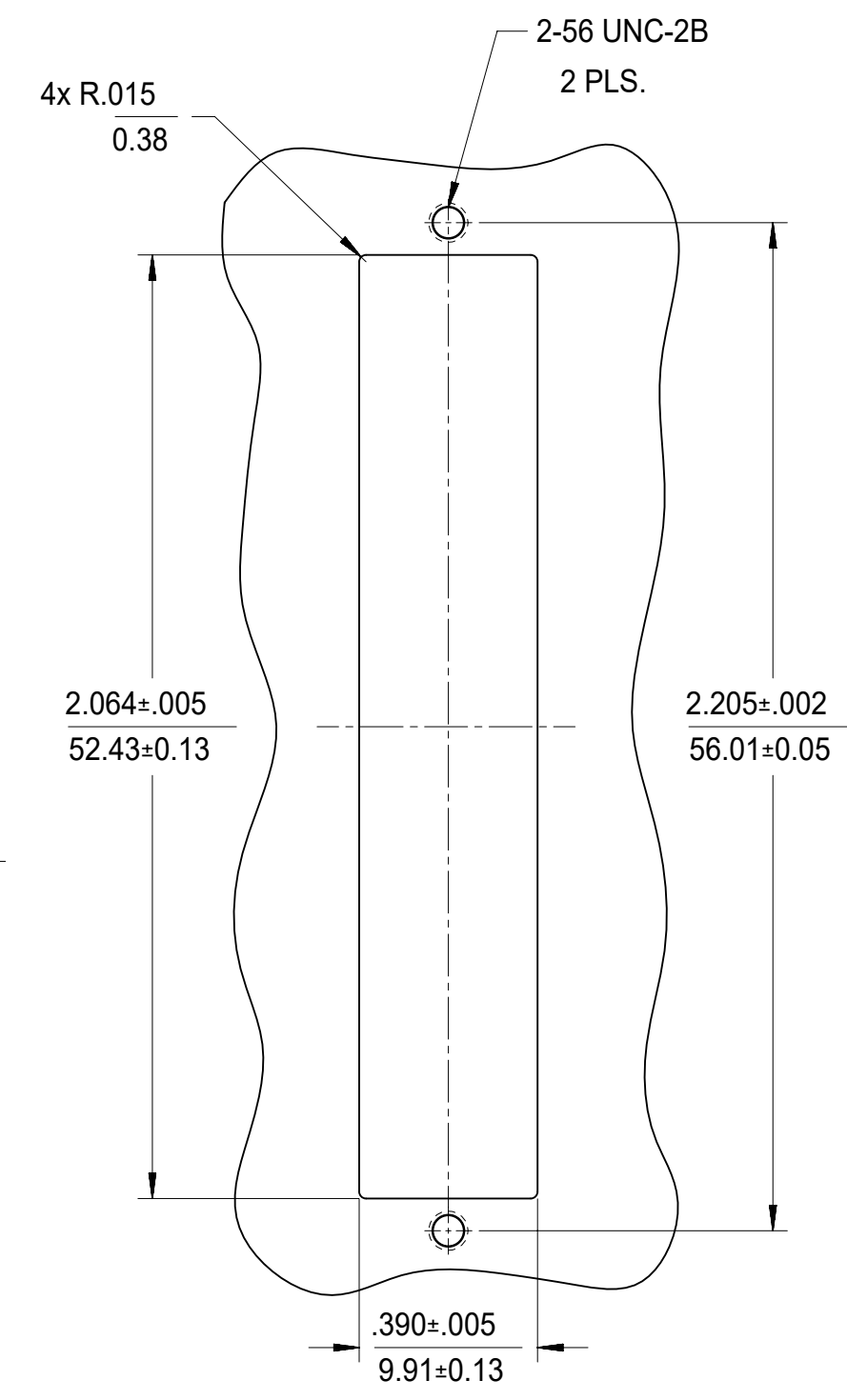
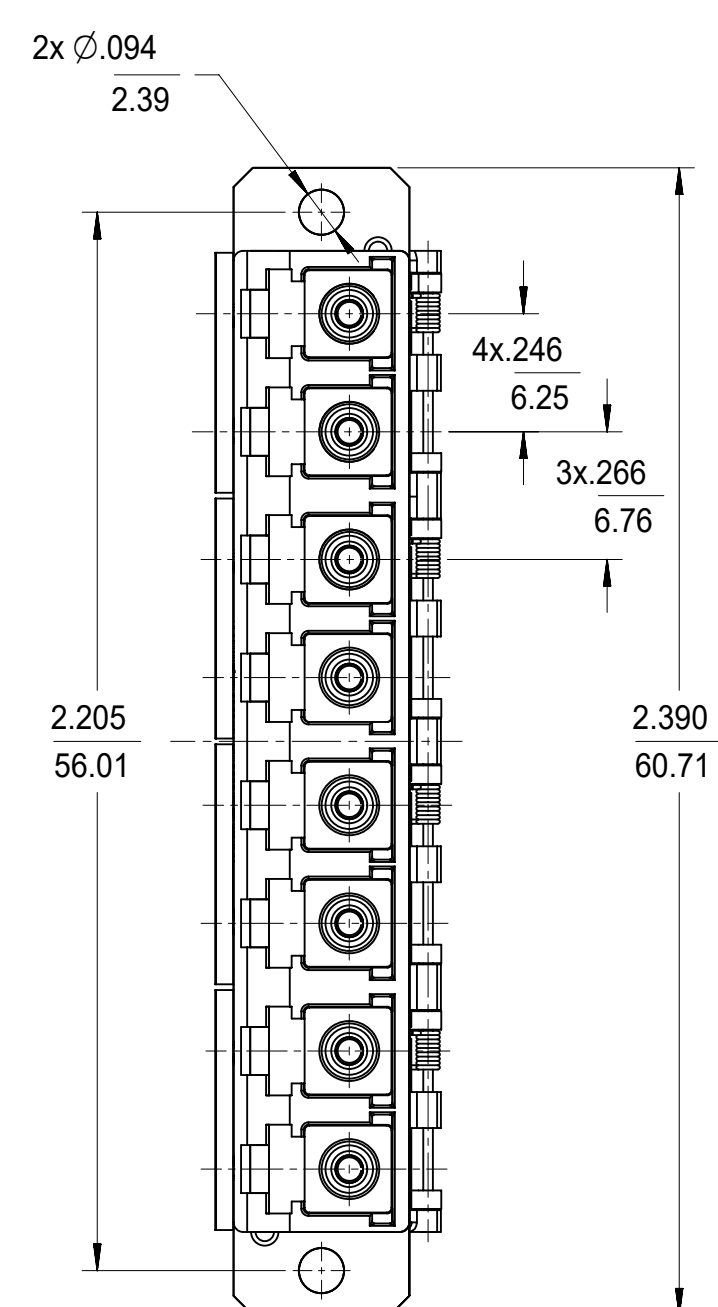
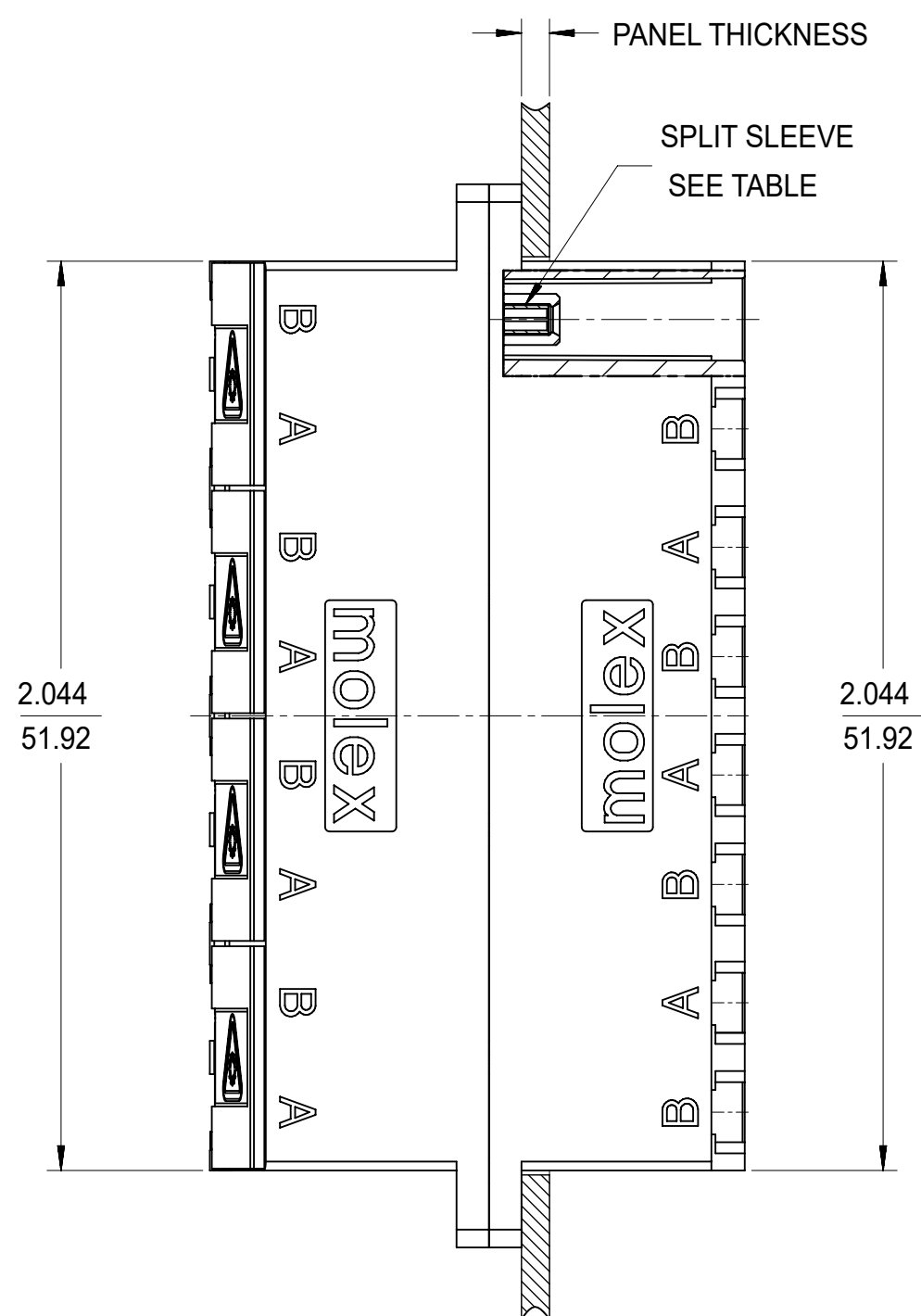
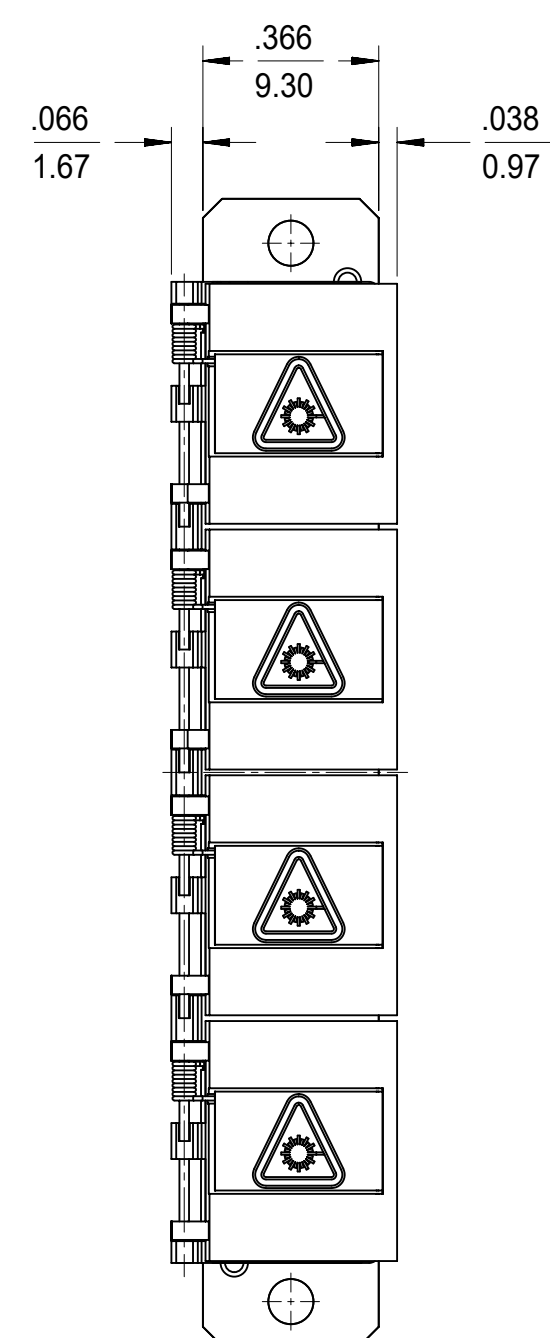
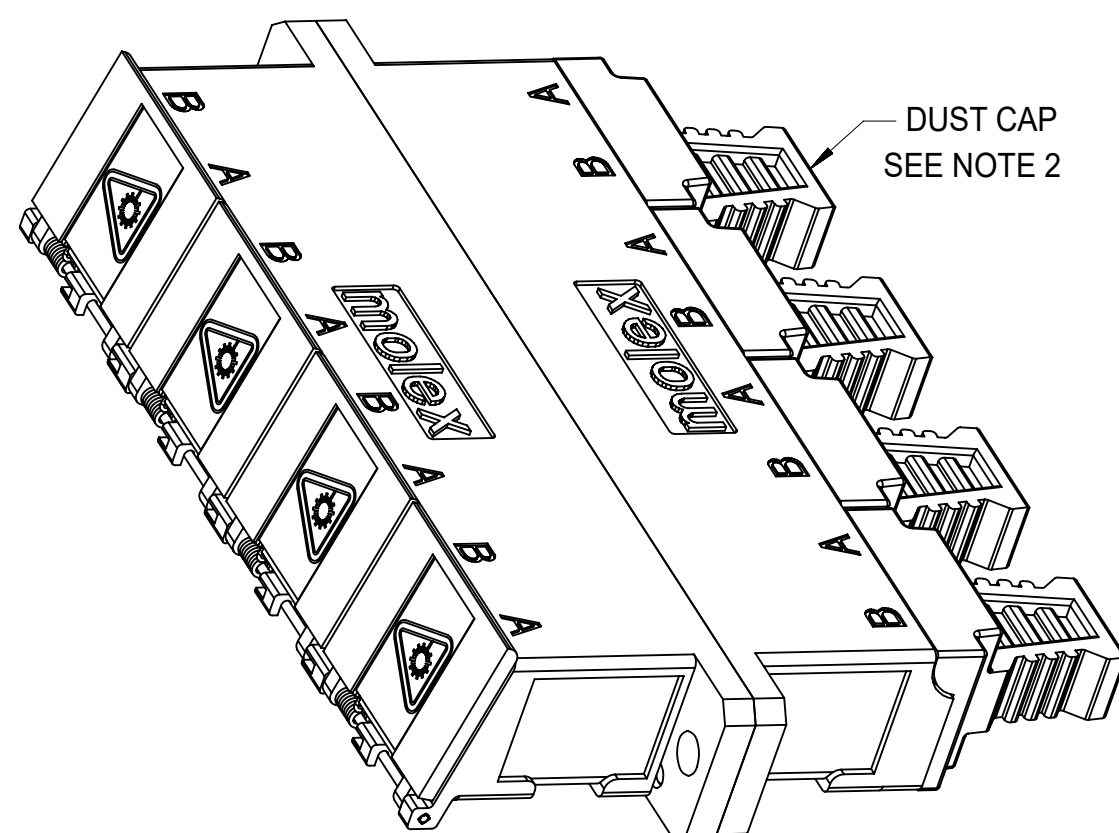


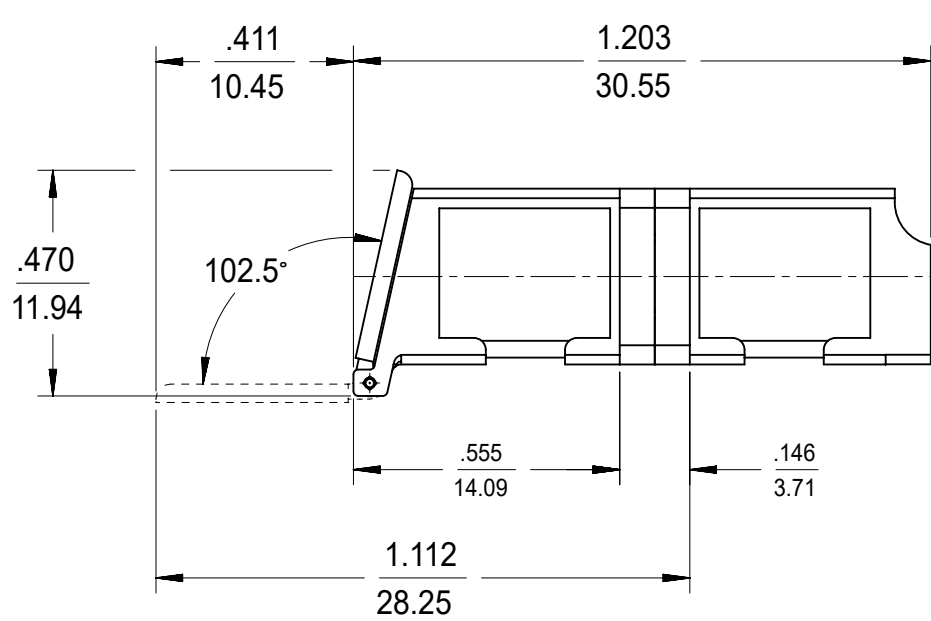
LC 8 PORT ADAPTER P/N	LC 8 PORT ADAPTER COLOR	SPLIT SLEEVE MATERIAL
106121-0100	BLUE	CERAMIC
106121-0101	GREEN	
106121-0102	BEIGE	
106121-0103	AQUA	



RECOMMENDED
MOUNTING PATTERN



ISO VIEW



NOTES:
1. ALL DIMENSIONS ARE FOR REFERENCE.
2. DUST CAPS SHOWN IN ISO VIEW ONLY.

FUNCTIONAL SYMBOLS	THIS DRAWING CONTAINS INFORMATION THAT IS PROPRIETARY TO MOLEX ELECTRONIC TECHNOLOGIES, LLC AND SHOULD NOT BE USED WITHOUT WRITTEN PERMISSION		CURRENT REV DESC:	
	DIMENSION UNITS	SCALE		
FA = 0	INCH/MM	1:1		
GENERAL TOLERANCES (UNLESS SPECIFIED)				
	ANGULAR TOL	±	°	
DIVISIONAL SYMBOLS	4 PLACES	±	EC NO: 652962	2021/05/18
	3 PLACES	±	DRWN: VIKESK1	2021/08/24
	2 PLACES	±	CHK'D: WCHEN	2021/08/24
	1 PLACE	±	APPR: WCHEN	2021/08/24
0 PLACES	±	INITIAL REVISION:		
DRAFT WHERE APPLICABLE MUST REMAIN WITHIN DIMENSIONS	THIRD ANGLE PROJECTION		DRWN: YBELENKIY	2011/08/18
	DRAWING		APPR: WCHEN	2012/02/06
SERIES		MATERIAL NUMBER		DOC TYPE
C-SIZE		106121		PSD
CUSTOMER		GENERAL MARKET		DOC PART
SHEET NUMBER		1 OF 1		REVISION
		SD-106121-0100		C

DOCUMENT STATUS	P1	RELEASE DATE	2021/08/24	01:00:09
-----------------	----	--------------	------------	----------