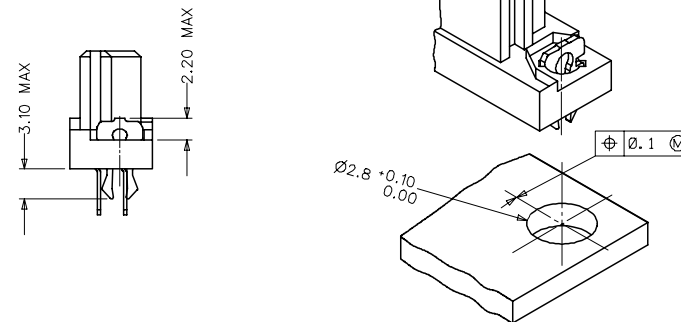


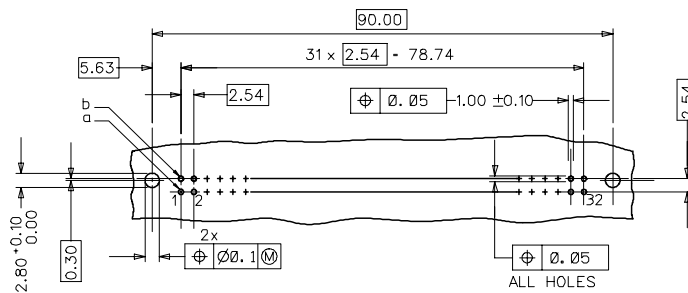
WITH MOUNTING CLIPS



NOTES:

- 1) MATERIALS: THERMOPLASTIC POLYESTER, GLASS FILLED, UL94V-0. COLOUR: NATURAL
TERMINAL - PHOSPHOR BRONZE
MOUNTING CLIP: STEEL
- 2) FINISH: TERMINAL:-
CONTACT AREA
 1. PERFORMANCE LEVEL 1: SELECTIVE GOLD (Au), THICKNESS = 1.1 MICROMETER OVER NICKEL, THICKNESS = 1.8 MICROMETER
 2. PERFORMANCE LEVEL 2: SELECTIVE GOLD (Au), THICKNESS = 0.6 MICROMETER OVER NICKEL, THICKNESS = 1.8 MICROMETER
 3. PERFORMANCE LEVEL 3: SELECTIVE GOLD (Au), THICKNESS = 0.3 MICROMETER OVER NICKEL, THICKNESS = 1.8 MICROMETER
 TERMINATION AREA:
SELECTIVE TIN, THICKNESS = 5 MICROMETER
OVER NICKEL, THICKNESS = 1.5 MICROMETER OVERALL
- 3) MOUNTING CLIP:-
TIN (Sn), THICKNESS = 5-10 MICROMETER,
OVER NICKEL (Ni), THICKNESS = 2.5 MICROMETER
- 4) FOR NON MOUNTING CLIP OPTION, CONNECTOR TO BE SECURED WITH RIVETS: 2 TUBULAR RIVETS 2.5 x 0.3 ... DIN 7340
SCREWS: 2 CHEESEHEAD SCREWS M2.5 x DIN 84 AND 2 HEXAGONAL NUTS M2.5 DIN 934
- 5) MATERIAL NUMBER, BATCH CODE, UL AND CSA MARKING TO BE PRINTED ON THE CONNECTOR
- 6) CUT FACE OF TIP WITHOUT PLATING PERMITTED

RECOMMENDED PCB LAYOUT
COMPONENT SIDE



RoHS COMPLIANT

| | | | | | | | | |
|---|-------------------------------|---|---------------------------------|--------------------------------|--------------------|--|------------------------|------------------------|
| ENTER DESCRIPTION ELC.MC.12007.004.4 2006/10/10 DRAWING ATT:THARAD 2006/10/11 CHKD:SSUDHIR 2006/10/11 APPR:SSUDHIR 2006/10/16 | QUALITY SYMBOLS ▽=0 ▽=0 | GENERAL TOLERANCES (UNLESS SPECIFIED) | | DIMENSION STYLE MM ONLY | | SCALE 2:1 | DESIGN UNITS METRIC | THIRD ANGLE PROJECTION |
| | | 4 PLACES ± --- ± --- 3 PLACES ± 0.05 ± --- 2 PLACES ± 0.1 ± --- 1 PLACE ± 0.15 ± --- | INCH ± --- ± --- ± --- | DRAWN BY SSUDHIR 2005/12/13 | DATE 2005/12/13 | TITLE ASSEMBLY DIN 41612 64POS B FEMALE | | MOLEX INCORPORATED |
| DRAFT WHERE APPLICABLE MUST REMAIN WITHIN DIMENSIONS | SIZE A1 | SEE CHART | | MATERIAL NO. SD-36505-0001 | DOCUMENT NO. | SHEET NO. 1 OF 2 | | |

| | 20 | 19 | 18 | 17 | 16 | 15 | 14 | 13 | 12 | 11 | 10 | 9 | 8 | 7 | 6 | 5 | 4 | 3 | 2 | 1 |
|---|-------------|-------------------|------------|----------|----------------------|------------|---------------|------------|-------------|----|----|---|---|---|---|---|---|---|---|---|
| | MATERIAL No | MOLEX ENG No | PERF LEVEL | PLATING | CONTACT SEQUENCE/ROW | DIM "L" mm | MOUNTING CLIP | FLUX PROOF | PART STATUS | | | | | | | | | | | |
| H | 36505-0001 | MM-B2401-B640 | 1 | Au+Ni | 1.2.3....32 a+b | 2.9 | NO | NO | ACTIVE | | | | | | | | | | | |
| | 36505-0002 | MM-B2501-B640 | 2 | Au+Ni | 1.2.3....32 a+b | 2.9 | NO | NO | ACTIVE | | | | | | | | | | | |
| | 36505-0003 | MM-B2601-B640 | 3 | Au+Ni | 1.2.3....32 a+b | 2.9 | NO | NO | ACTIVE | | | | | | | | | | | |
| L | 36505-0004 | MM-B2101-B640 | 1 | Au+Pd+Ni | 1.2.3....32 a+b | 2.9 | NO | NO | VOID | | | | | | | | | | | |
| | 36505-0005 | MM-B2201-B640 | 2 | Au+Pd+Ni | 1.2.3....32 a+b | 2.9 | NO | NO | VOID | | | | | | | | | | | |
| | 36505-0006 | MM-B2301-B640 | 3 | Au+Pd+Ni | 1.2.3....32 a+b | 2.9 | NO | NO | VOID | | | | | | | | | | | |
| | 36505-0007 | MM-B2401-B610 | 1 | Au+Ni | 1.2.3....32 a+b | 2.9 | YES | NO | ACTIVE | | | | | | | | | | | |
| | 36505-0008 | MM-B2501-B610 | 2 | Au+Ni | 1.2.3....32 a+b | 2.9 | YES | NO | ACTIVE | | | | | | | | | | | |
| K | 36505-0009 | MM-B2601-B610 | 3 | Au+Ni | 1.2.3....32 a+b | 2.9 | YES | NO | ACTIVE | | | | | | | | | | | |
| | 36505-0010 | MM-B2101-B610 | 1 | Au+Pd+Ni | 1.2.3....32 a+b | 2.9 | YES | NO | VOID | | | | | | | | | | | |
| | 36505-0011 | MM-B2201-B610 | 2 | Au+Pd+Ni | 1.2.3....32 a+b | 2.9 | YES | NO | VOID | | | | | | | | | | | |
| | 36505-0012 | MM-B2301-B610 | 3 | Au+Pd+Ni | 1.2.3....32 a+b | 2.9 | YES | NO | VOID | | | | | | | | | | | |
| J | 36505-0013 | MM-B2401-B640-133 | 1 | Au+Ni | 1.2.3....32 a+b | 2.9 | NO | YES | ACTIVE | | | | | | | | | | | |
| | 36505-0014 | MM-B2501-B640-133 | 2 | Au+Ni | 1.2.3....32 a+b | 2.9 | NO | YES | ACTIVE | | | | | | | | | | | |
| | 36505-0015 | MM-B2601-B640-133 | 3 | Au+Ni | 1.2.3....32 a+b | 2.9 | NO | YES | ACTIVE | | | | | | | | | | | |
| | 36505-0016 | MM-B2101-B640-133 | 1 | Au+Pd+Ni | 1.2.3....32 a+b | 2.9 | NO | YES | VOID | | | | | | | | | | | |
| | 36505-0017 | MM-B2201-B640-133 | 2 | Au+Pd+Ni | 1.2.3....32 a+b | 2.9 | NO | YES | VOID | | | | | | | | | | | |
| I | 36505-0018 | MM-B2301-B640-133 | 3 | Au+Pd+Ni | 1.2.3....32 a+b | 2.9 | NO | YES | VOID | | | | | | | | | | | |
| | 36505-0019 | MM-B2401-B610-133 | 1 | Au+Ni | 1.2.3....32 a+b | 2.9 | YES | YES | ACTIVE | | | | | | | | | | | |
| | 36505-0020 | MM-B2501-B610-133 | 2 | Au+Ni | 1.2.3....32 a+b | 2.9 | YES | YES | ACTIVE | | | | | | | | | | | |
| | 36505-0021 | MM-B2601-B610-133 | 3 | Au+Ni | 1.2.3....32 a+b | 2.9 | YES | YES | ACTIVE | | | | | | | | | | | |
| H | 36505-0022 | MM-B2101-B610-133 | 1 | Au+Pd+Ni | 1.2.3....32 a+b | 2.9 | YES | YES | VOID | | | | | | | | | | | |
| | 36505-0023 | MM-B2201-B610-133 | 2 | Au+Pd+Ni | 1.2.3....32 a+b | 2.9 | YES | YES | VOID | | | | | | | | | | | |
| | 36505-0024 | MM-B2301-B610-133 | 3 | Au+Pd+Ni | 1.2.3....32 a+b | 2.9 | YES | YES | VOID | | | | | | | | | | | |
| | 36505-0025 | MM-B2402-B640 | 1 | Au+Ni | 1.2.3....32 a+b | 4.5 | NO | NO | ACTIVE | | | | | | | | | | | |
| | 36505-0026 | MM-B2502-B640 | 2 | Au+Ni | 1.2.3....32 a+b | 4.5 | NO | NO | ACTIVE | | | | | | | | | | | |
| G | 36505-0027 | MM-B2602-B640 | 3 | Au+Ni | 1.2.3....32 a+b | 4.5 | NO | NO | ACTIVE | | | | | | | | | | | |
| | 36505-0028 | MM-B2102-B640 | 1 | Au+Pd+Ni | 1.2.3....32 a+b | 4.5 | NO | NO | VOID | | | | | | | | | | | |
| | 36505-0029 | MM-B2202-B640 | 2 | Au+Pd+Ni | 1.2.3....32 a+b | 4.5 | NO | NO | VOID | | | | | | | | | | | |
| | 36505-0030 | MM-B2302-B640 | 3 | Au+Pd+Ni | 1.2.3....32 a+b | 4.5 | NO | NO | VOID | | | | | | | | | | | |
| F | 36505-0031 | MM-B2402-B610 | 1 | Au+Ni | 1.2.3....32 a+b | 4.5 | YES | NO | ACTIVE | | | | | | | | | | | |
| | 36505-0032 | MM-B2502-B610 | 2 | Au+Ni | 1.2.3....32 a+b | 4.5 | YES | NO | ACTIVE | | | | | | | | | | | |
| | 36505-0033 | MM-B2602-B610 | 3 | Au+Ni | 1.2.3....32 a+b | 4.5 | YES | NO | ACTIVE | | | | | | | | | | | |
| | 36505-0034 | MM-B2102-B610 | 1 | Au+Pd+Ni | 1.2.3....32 a+b | 4.5 | YES | NO | VOID | | | | | | | | | | | |
| | 36505-0035 | MM-B2202-B610 | 2 | Au+Pd+Ni | 1.2.3....32 a+b | 4.5 | YES | NO | VOID | | | | | | | | | | | |
| E | 36505-0036 | MM-B2302-B610 | 3 | Au+Pd+Ni | 1.2.3....32 a+b | 4.5 | YES | NO | VOID | | | | | | | | | | | |
| | 36505-0037 | MM-B2402-B640-133 | 1 | Au+Ni | 1.2.3....32 a+b | 4.5 | NO | YES | ACTIVE | | | | | | | | | | | |
| | 36505-0038 | MM-B2502-B640-133 | 2 | Au+Ni | 1.2.3....32 a+b | 4.5 | NO | YES | ACTIVE | | | | | | | | | | | |
| | 36505-0039 | MM-B2602-B640-133 | 3 | Au+Ni | 1.2.3....32 a+b | 4.5 | NO | YES | ACTIVE | | | | | | | | | | | |
| D | 36505-0040 | MM-B2102-B640-133 | 1 | Au+Pd+Ni | 1.2.3....32 a+b | 4.5 | NO | YES | VOID | | | | | | | | | | | |
| | 36505-0041 | MM-B2202-B640-133 | 2 | Au+Pd+Ni | 1.2.3....32 a+b | 4.5 | NO | YES | VOID | | | | | | | | | | | |
| | 36505-0042 | MM-B2302-B640-133 | 3 | Au+Pd+Ni | 1.2.3....32 a+b | 4.5 | NO | YES | VOID | | | | | | | | | | | |
| | 36505-0043 | MM-B2402-B610-133 | 1 | Au+Ni | 1.2.3....32 a+b | 4.5 | YES | YES | ACTIVE | | | | | | | | | | | |
| | 36505-0044 | MM-B2502-B610-133 | 2 | Au+Ni | 1.2.3....32 a+b | 4.5 | YES | YES | ACTIVE | | | | | | | | | | | |
| | 36505-0045 | MM-B2602-B610-133 | 3 | Au+Ni | 1.2.3....32 a+b | 4.5 | YES | YES | ACTIVE | | | | | | | | | | | |
| | 36505-0046 | MM-B2102-B610-133 | 1 | Au+Pd+Ni | 1.2.3....32 a+b | 4.5 | YES | YES | VOID | | | | | | | | | | | |
| | 36505-0047 | MM-B2202-B610-133 | 2 | Au+Pd+Ni | 1.2.3....32 a+b | 4.5 | YES | YES | VOID | | | | | | | | | | | |
| | 36505-0048 | MM-B2302-B610-133 | 3 | Au+Pd+Ni | 1.2.3....32 a+b | 4.5 | YES | YES | VOID | | | | | | | | | | | |

RoHS COMPLIANT

| ENTER DESCRIPTION ELC INC. 1207 2004 DRWNGSATTI/MARAD 2006/10/10 CHKD/SSUDHIR 2006/10/11 APPR/SSUDHIR 2006/10/16 REV | QUALITY SYMBOLS | GENERAL TOLERANCES (UNLESS SPECIFIED) <table border="1"> <tr><th></th><th>mm</th><th>INCH</th></tr> <tr><td>4 PLACES</td><td>± .005</td><td>± .0002</td></tr> <tr><td>3 PLACES</td><td>± .005</td><td>± .0002</td></tr> <tr><td>2 PLACES</td><td>± .005</td><td>± .0002</td></tr> <tr><td>1 PLACE</td><td>± .005</td><td>± .0002</td></tr> </table> | | mm | INCH | 4 PLACES | ± .005 | ± .0002 | 3 PLACES | ± .005 | ± .0002 | 2 PLACES | ± .005 | ± .0002 | 1 PLACE | ± .005 | ± .0002 | DIMENSION STYLE MM ONLY | SCALE --- | DESIGN UNITS METRIC | THIRD ANGLE PROJECTION |
|--|----------------------------|---|--------------------------------------|---|----------------------------|----------|--------|---------|----------|--------|---------|----------|--------|---------|---------|--------|---------|-----------------------------------|---------------------|-------------------------------|-------------------------------|
| | | mm | INCH | | | | | | | | | | | | | | | | | | |
| | 4 PLACES | ± .005 | ± .0002 | | | | | | | | | | | | | | | | | | |
| | 3 PLACES | ± .005 | ± .0002 | | | | | | | | | | | | | | | | | | |
| 2 PLACES | ± .005 | ± .0002 | | | | | | | | | | | | | | | | | | | |
| 1 PLACE | ± .005 | ± .0002 | | | | | | | | | | | | | | | | | | | |
| DRAFT WHERE APPLICABLE MUST REMAIN WITHIN DIMENSIONS | SEE CHART | DRAWN BY SSUDHIR | DATE 2005/12/13 | TITLE ASSEMBLY DIN 41612 64POS B FEMALE | | | | | | | | | | | | | | | | | |
| | | CHECKED BY XPRASAD | DATE 2005/12/13 | | | | | | | | | | | | | | | | | | |
| | | APPROVED BY XPRASAD | DATE 2005/12/13 | | | | | | | | | | | | | | | | | | |
| | | MATERIAL NO. SEE CHART | DOCUMENT NO. SD-36505-0001 | MOLEX INCORPORATED | SHEET NO. 2 OF 2 | | | | | | | | | | | | | | | | |
| | | THIS DRAWING CONTAINS INFORMATION THAT IS PROPRIETARY TO MOLEX INCORPORATED AND SHOULD NOT BE USED WITHOUT WRITTEN PERMISSION | | | | | | | | | | | | | | | | | | | |