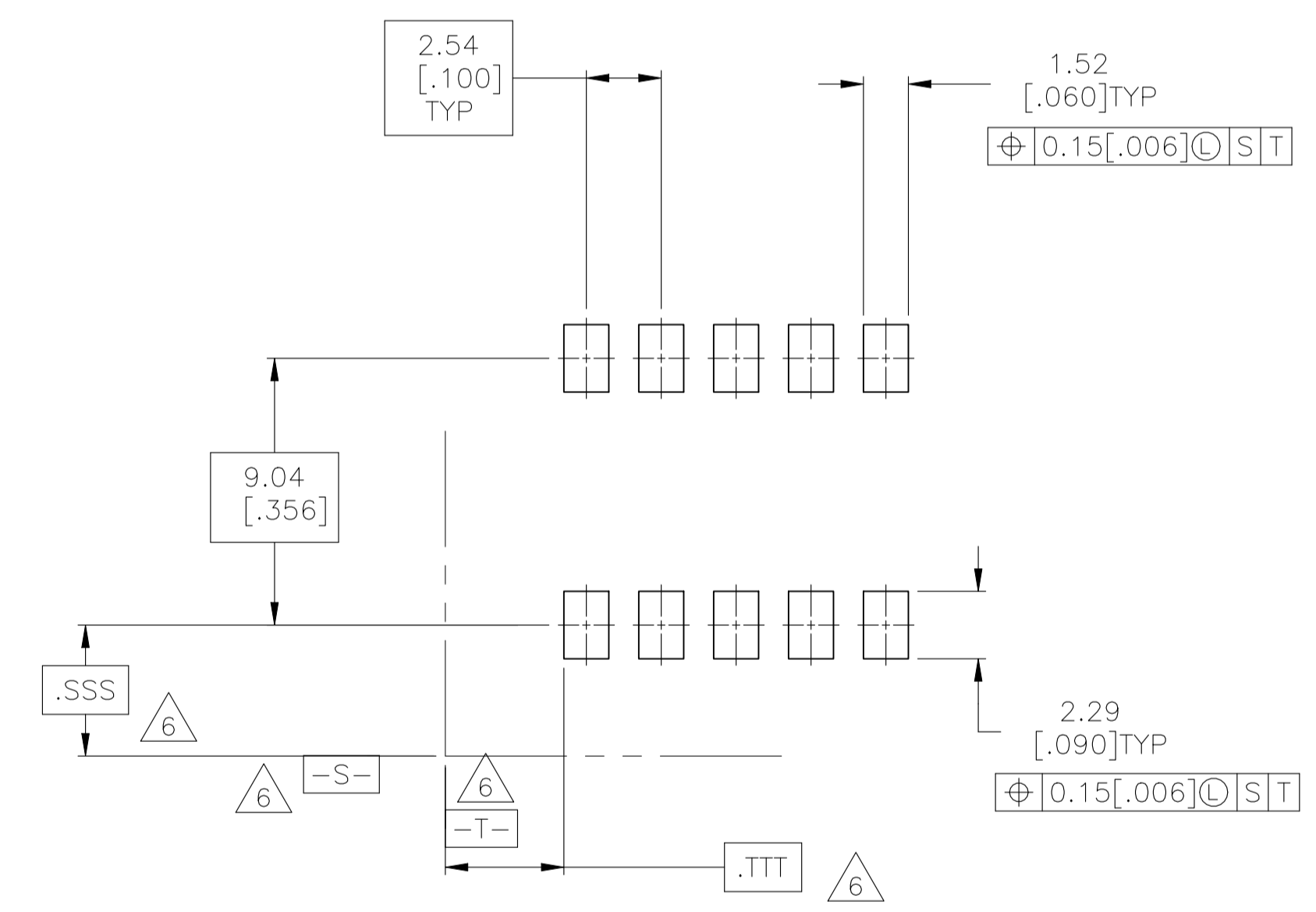
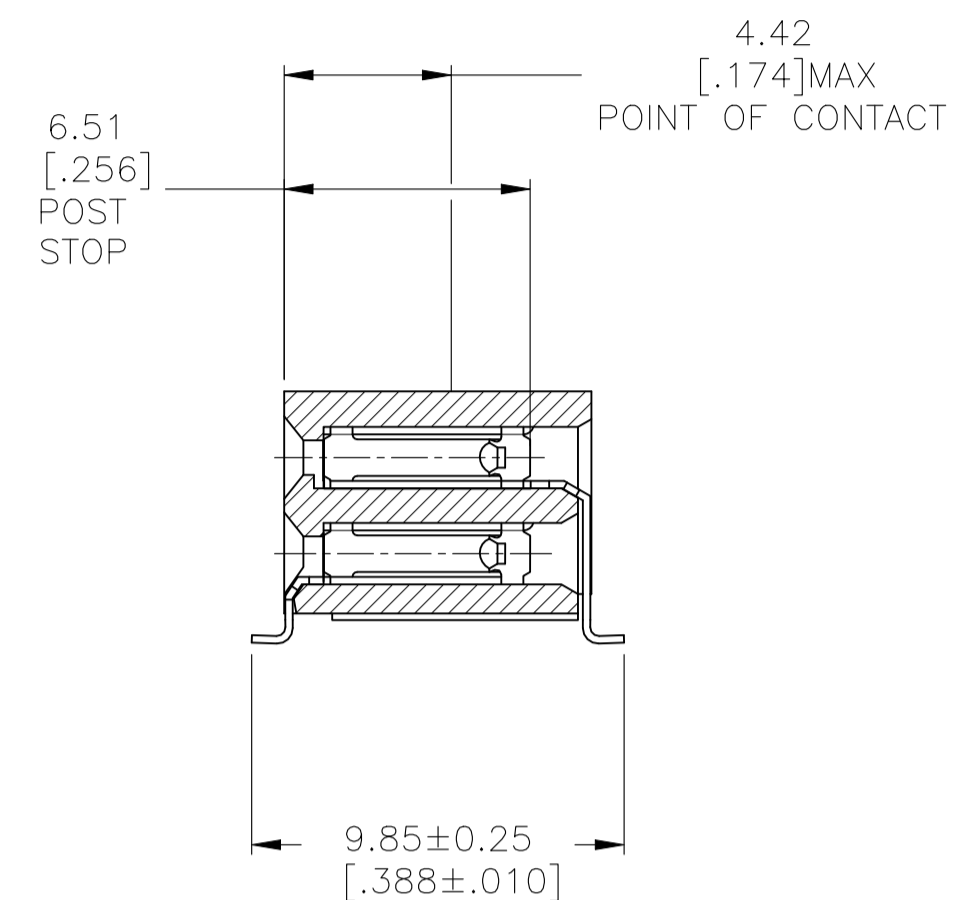
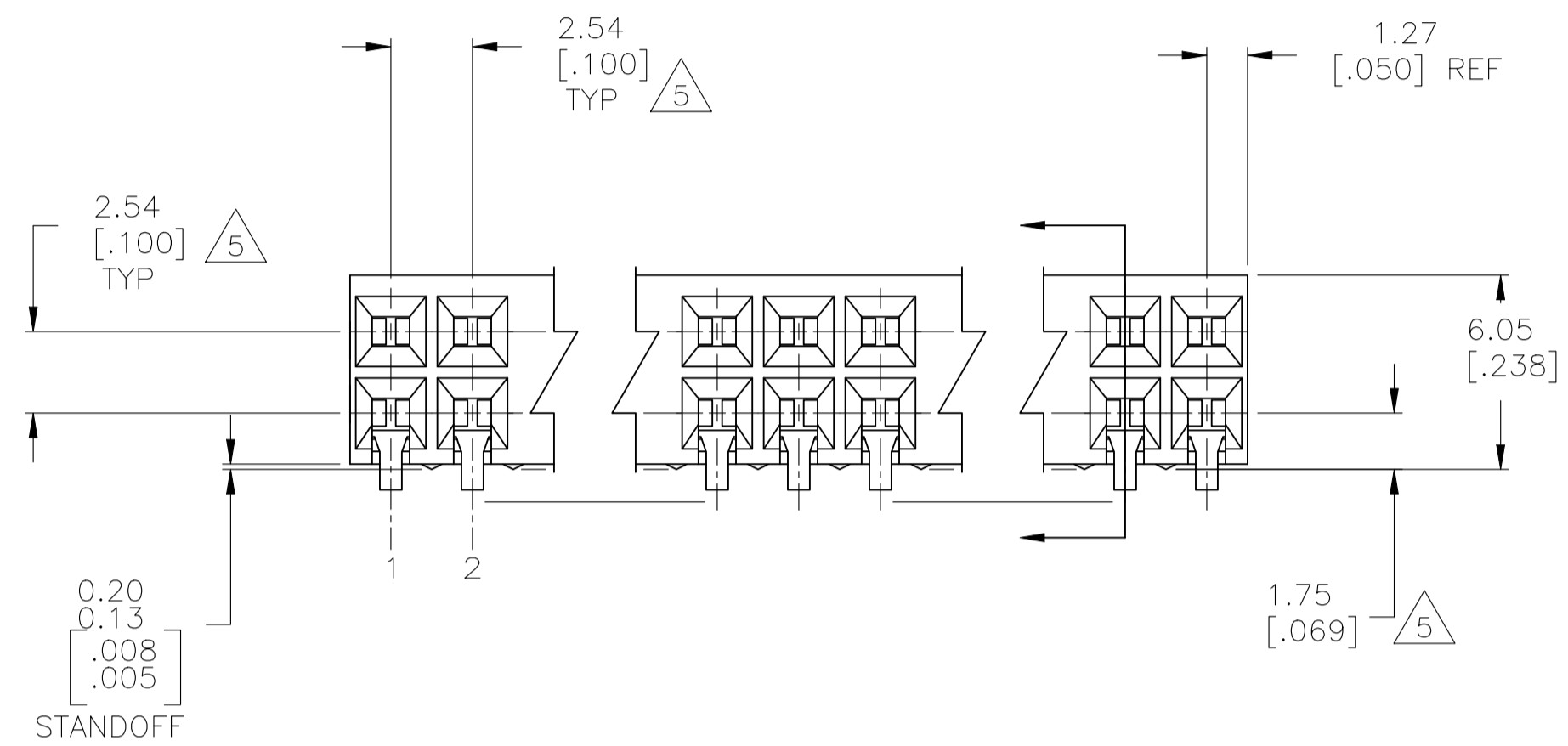
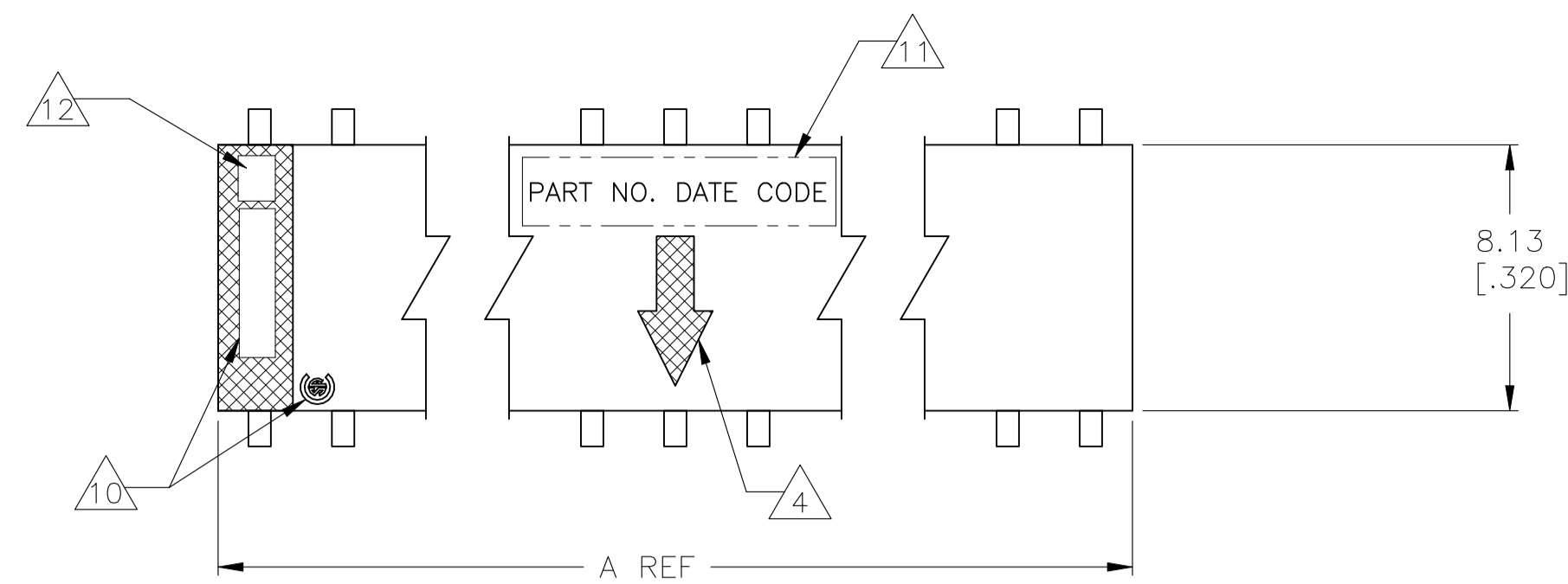


REVISIONS					
P	LTR	DESCRIPTION	DATE	DRN	APVD
C		POSITION 1 MARKING SHOWN	14JUL2022	SCB	PS



RECOMMENDED PC BOARD LAYOUT

- 1 HOUSING: GLASS FILLED POLYESTER, PCT, COLOR: BLACK
- 2 CONTACT: PHOSPHOR BRONZE
- 3 CONTACT FINISH: 0.00076(0.000030) THK DUPLEX PLATED GOLD ON CONTACT AREA, 3.81-7.62(.000150-.000300) MATTE TIN ON SOLDER LEADS ALL OVER 0.00127(.000050) MIN NICKEL.
- 4 MOLDED IN ARROW DESIGNATES MATING FACE OF CONNECTOR.
- 5 DIMENSIONS PERTAINS TO CAVITY CENTERLINES.
- 6 DATUMS AND BASIC DIMENSIONS ARE ESTABLISHED BY THE CUSTOMER.
- 8 NO PART NUMBER MARKING REQUIRED FOR THIS PART.
- 9 ROHS 2002/95/EC COMPLAINT
- 10 TE LOGO AND CSA LOGO ARE MOLDED INTO HOUSING, THIS LOCATION.
- 11 MARK PART NUMBER AND DATE CODE IN APPROXIMATE LOCATION SHOWN, EITHER END.
- 12 POSITION #1 MARKING ON THIS LOCATION FOR ALL PART NUMBERS EXCEPT 5147722-1

165.10 [6.500]	130	6-5147722-4
162.56 [6.400]	128	6-5147722-3
160.02 [6.300]	126	6-5147722-2
157.48 [6.200]	124	6-5147722-1
152.94 [6.100]	122	6-5147722-0
152.40 [6.000]	120	5-5147722-9
149.86 [5.900]	118	5-5147722-8
147.32 [5.800]	116	5-5147722-7
144.78 [5.700]	114	5-5147722-6
147.32 [5.600]	112	5-5147722-5
139.70 [5.500]	110	5-5147722-4
137.16 [5.400]	108	5-5147722-3
134.62 [5.300]	106	5-5147722-2
132.08 [5.200]	104	5-5147722-1
129.54 [5.100]	102	5-5147722-0
127.00 [5.000]	100	4-5147722-9
124.46 [4.900]	98	4-5147722-8
121.92 [4.800]	96	4-5147722-7
119.38 [4.700]	94	4-5147722-6
116.84 [4.600]	92	4-5147722-5
114.30 [4.500]	90	4-5147722-4
111.76 [4.400]	88	4-5147722-3
109.22 [4.300]	86	4-5147722-2
106.68 [4.200]	84	4-5147722-1
104.14 [4.100]	82	4-5147722-0
101.60 [4.000]	80	3-5147722-9
99.06 [3.900]	78	3-5147722-8
96.52 [3.800]	76	3-5147722-7
93.98 [3.700]	74	3-5147722-6
91.44 [3.600]	72	3-5147722-5
A	NO OF POSN	PART NUMBER

88.90 [3.500]	70	3-5147722-4
88.90 [3.500]	70	3-5147722-4
86.36 [3.400]	68	3-5147722-3
83.82 [3.300]	66	3-5147722-2
81.28 [3.200]	64	3-5147722-1
78.74 [3.100]	62	3-5147722-0
76.20 [3.000]	60	2-5147722-9
73.66 [2.900]	58	2-5147722-8
71.12 [2.800]	56	2-5147722-7
68.58 [2.700]	54	2-5147722-6
66.04 [2.600]	52	2-5147722-5
63.50 [2.500]	50	2-5147722-4
60.96 [2.400]	48	2-5147722-3
58.42 [2.300]	46	2-5147722-2
55.88 [2.200]	44	2-5147722-1
53.34 [2.100]	42	2-5147722-0
50.80 [2.000]	40	1-5147722-9
48.26 [1.900]	38	1-5147722-8
45.72 [1.800]	36	1-5147722-7
43.18 [1.700]	34	1-5147722-6
40.64 [1.600]	32	1-5147722-5
38.10 [1.500]	30	1-5147722-4
35.56 [1.400]	28	1-5147722-3
33.02 [1.300]	26	1-5147722-2
30.48 [1.200]	24	1-5147722-1
27.94 [1.100]	22	1-5147722-0
25.40 [1.000]	20	5147722-9
22.86 [.900]	18	5147722-8
20.32 [.800]	16	5147722-7
17.78 [.700]	14	5147722-6
15.24 [.600]	12	5147722-5
10.16 [.500]	10	5147722-4
10.16 [.400]	8	5147722-3
7.62 [.300]	6	5147722-2
5.08 [.200]	4	5147722-1
A	NO OF POSN	PART NUMBER

THIS DRAWING IS A CONTROLLED DOCUMENT. DIN BSV 09NOV04

TE Connectivity

AMP/MDU MODI RCPT ASSY, HORIZ, SURFACE MOUNT .100CL, 2ROW, CLSD-ENTRY, END TO END STACKED

SIZE: A1 CAGE CODE: 00779 DRAWING NO: 5147722

SCALE: 5:1 SHEET 1 OF 1