

DESCRIPTION: M12 MALE - CABLE MOUNT - 6 POS.

**SPECIFICATIONS:**

**ELECTRICAL:**

RATED CURRENT: 2A  
 RATED VOLTAGE: 30V  
 INSULATION RESISTANCE: 100 MOhms MIN.  
 CONTACT RESISTANCE: 10 mOhms MAX.  
 WATER PROOF: IP67

**MATERIAL:**

HOUSING: PBT UL94V-0, BLACK  
 CONTACT: BRASS  
 NUT: ALUMINUM ALLOY  
 SHELL: ALUMINUM ALLOY  
 MAIN BODY: ALUMINUM ALLOY  
 GLAND: SILICONE, BLACK  
 GLAND CAGE: POM, BLACK  
 GLAND NUT: BRASS

**FINISH:**

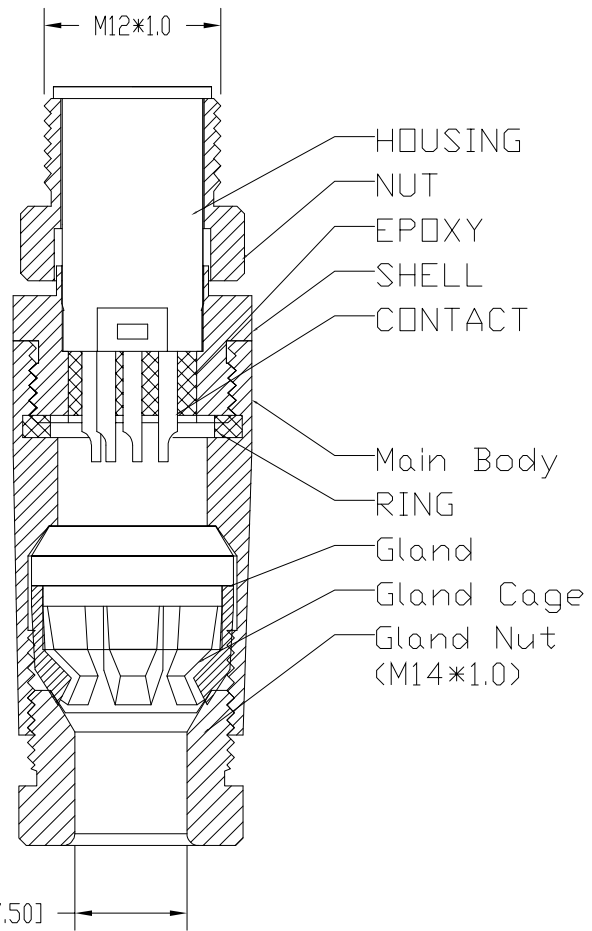
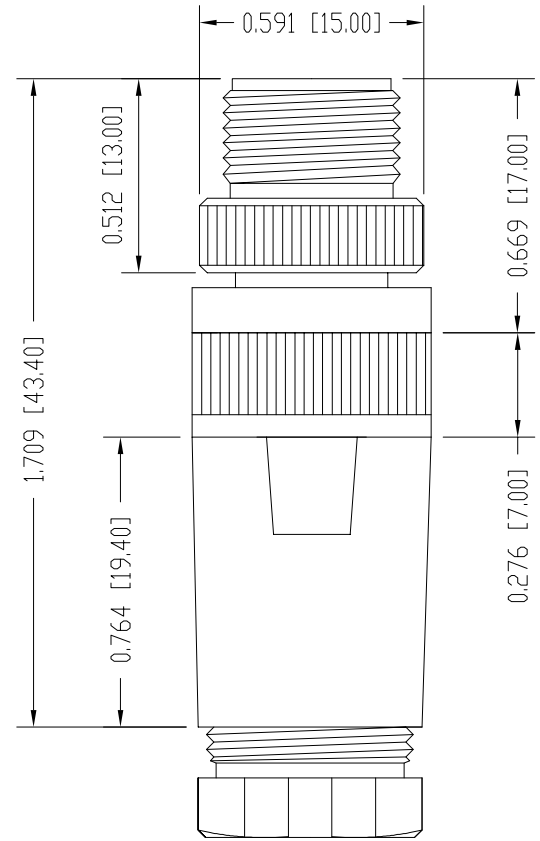
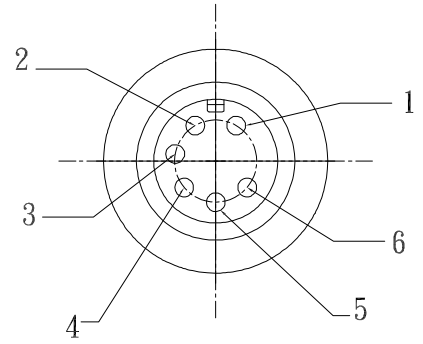
CONTACT: GOLD PLATED OVER 50u" NICKEL  
 NUT: NICKEL PLATED  
 SHELL: NICKEL PLATED  
 MAIN BODY: NICKEL PLATED  
 GLAND NUT: NICKEL PLATED

**ENVIRONMENT**

OPERATION TEMPERATURE: -40°C TO +85°C

**MAX WIRE AWG:**

24 AWG



**858-006-103RKTY**

1 = GOLD FLASH  
 4 = 10u" GOLD

**RoHS COMPLIANT**

UNITS = INCHES [MM] DO NOT SCALE FROM DRAWING



THESE DRAWINGS AND SPECIFICATIONS ARE THE PROPERTY OF NorComp AND SHALL NOT BE REPRODUCED, COPIED OR USED AS THE BASIS FOR THE MANUFACTURE OR SALE OF APPARATUS WITHOUT WRITTEN PERMISSION.

DRAWN: M. SIGMON  
 DATE: 03/07/2016

**NorComp**

SCALE: NTS	SHEET 1 OF 1	REV 4
DWG NO. 858-006-103RKTY		