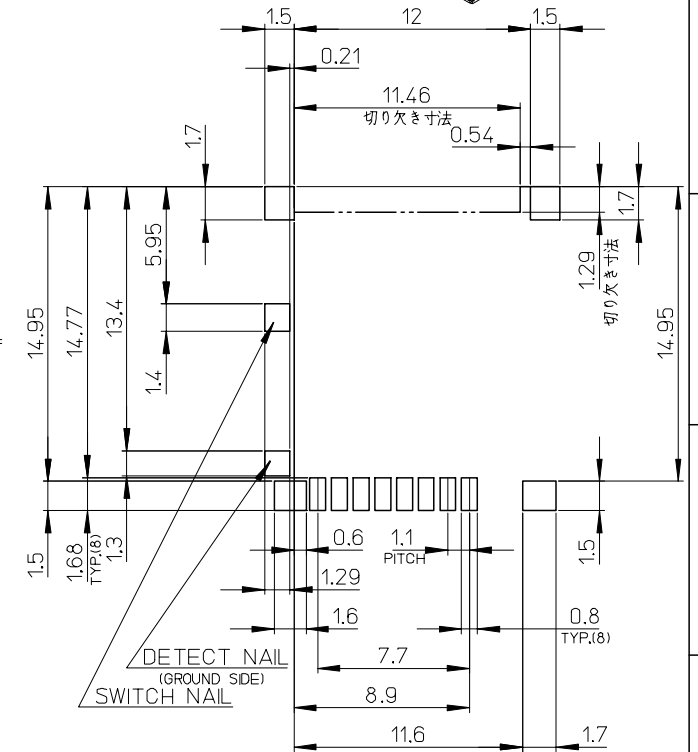
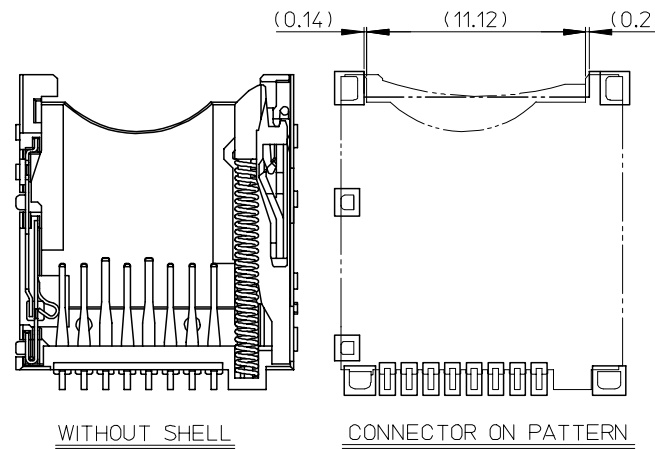
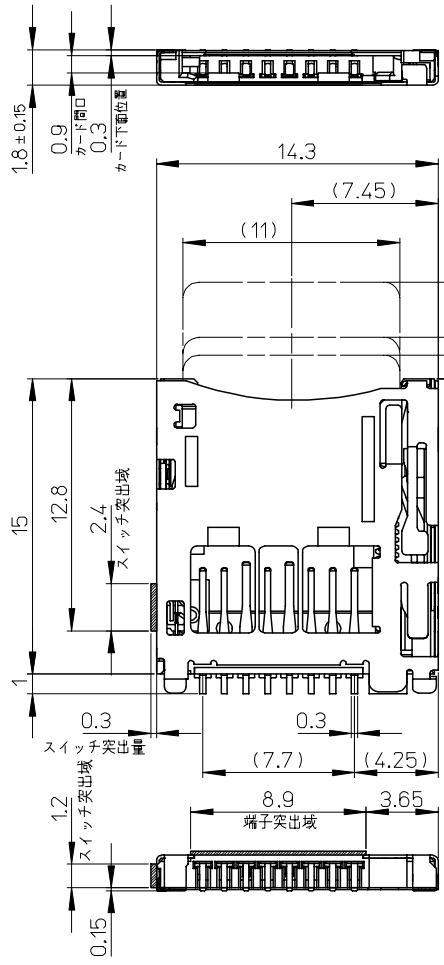
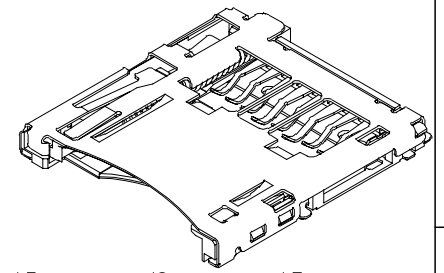


10 9 8 7 6 5 4 3 2 1

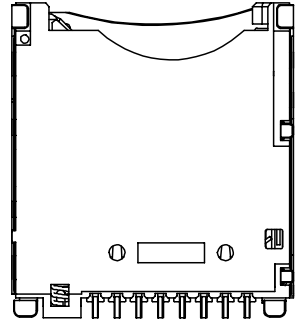
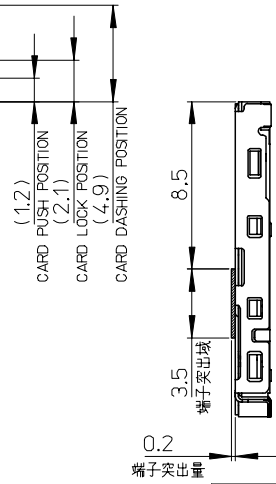
NOTES

- 端子とネイルの平坦度は 0.1MAX.
COPLANARITY OF TERMINAL AND NAIL TO BE 0.1MAX.
- ロット印字は任意とする。
LOT NUMBERING TO BE OPTIONAL ARRANGEMENT.
- 肉抜き位置は任意とする。
CAVITY TO BE OPTIONAL ARRANGEMENT.
- エンボス梱包: 502107-0891
EMBOSS PACKAGE: 502107-0891
- カード検出スイッチ
DETECT SWITCH

カード挿入時 CARD INSERTING POSITION	クローズ CLOSED
カード未挿入時 NO CARD POSITION	オープン OPEN



RECOMMENDED PCB PATTERN LAYOUT
GENERAL TOLERANCE : ±0.05



PROPOSED EC NO: J2007-1418 DRWNSKUROSE CHKD: 2006/11/15 APPR: Y0110 2006/11/16	GENERAL TOLERANCES (UNLESS SPECIFIED)		DIMENSION STYLE	SCALE	DESIGN UNITS	THIRD ANGLE PROJECTION		
			MM ONLY	4:1	METRIC			
	10 UNDER	±0.2	DRAWN BY	DATE	TITLE			
	10 OVER 30 UNDER	±0.25	T. HIRAYAMA	2006/06/08	MICRO SD CONN. REVERSE			
	30 OVER	±0.3	CHECKED BY	DATE	-LEAD FREE-			
ANGULAR	±1 °	K. ADACHI	2006/06/08	APPROVED BY				
DRAFT WHERE APPLICABLE MUST REMAIN WITHIN DIMENSIONS		J. MIYAZAWA	2006/06/08	DATE			MOLEX INCORPORATED	
		MATERIAL NO.		DOCUMENT NO.		SHEET NO.		
		502107-0811		SD-502107-001		1 OF 1		
		THIS DRAWING CONTAINS INFORMATION THAT IS PROPRIETARY TO MOLEX INCORPORATED AND SHOULD NOT BE USED WITHOUT WRITTEN PERMISSION						