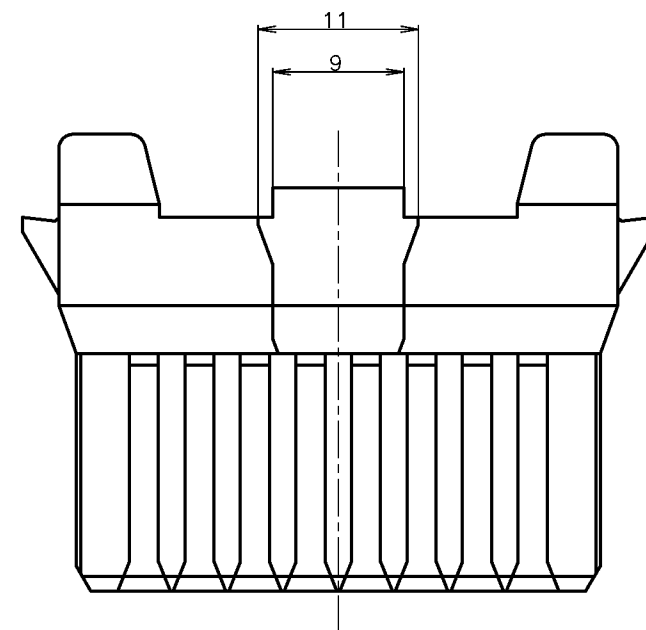
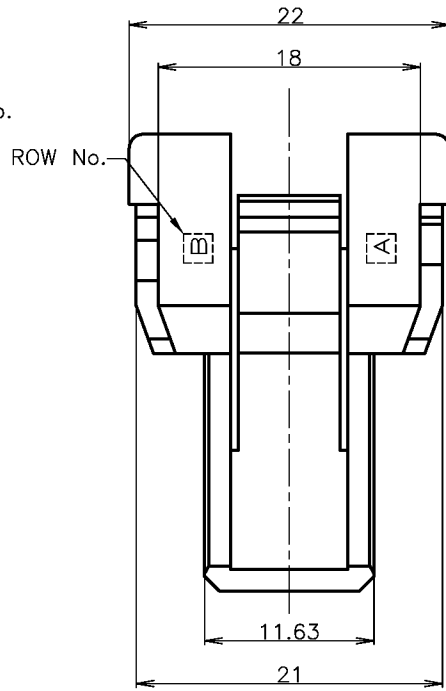
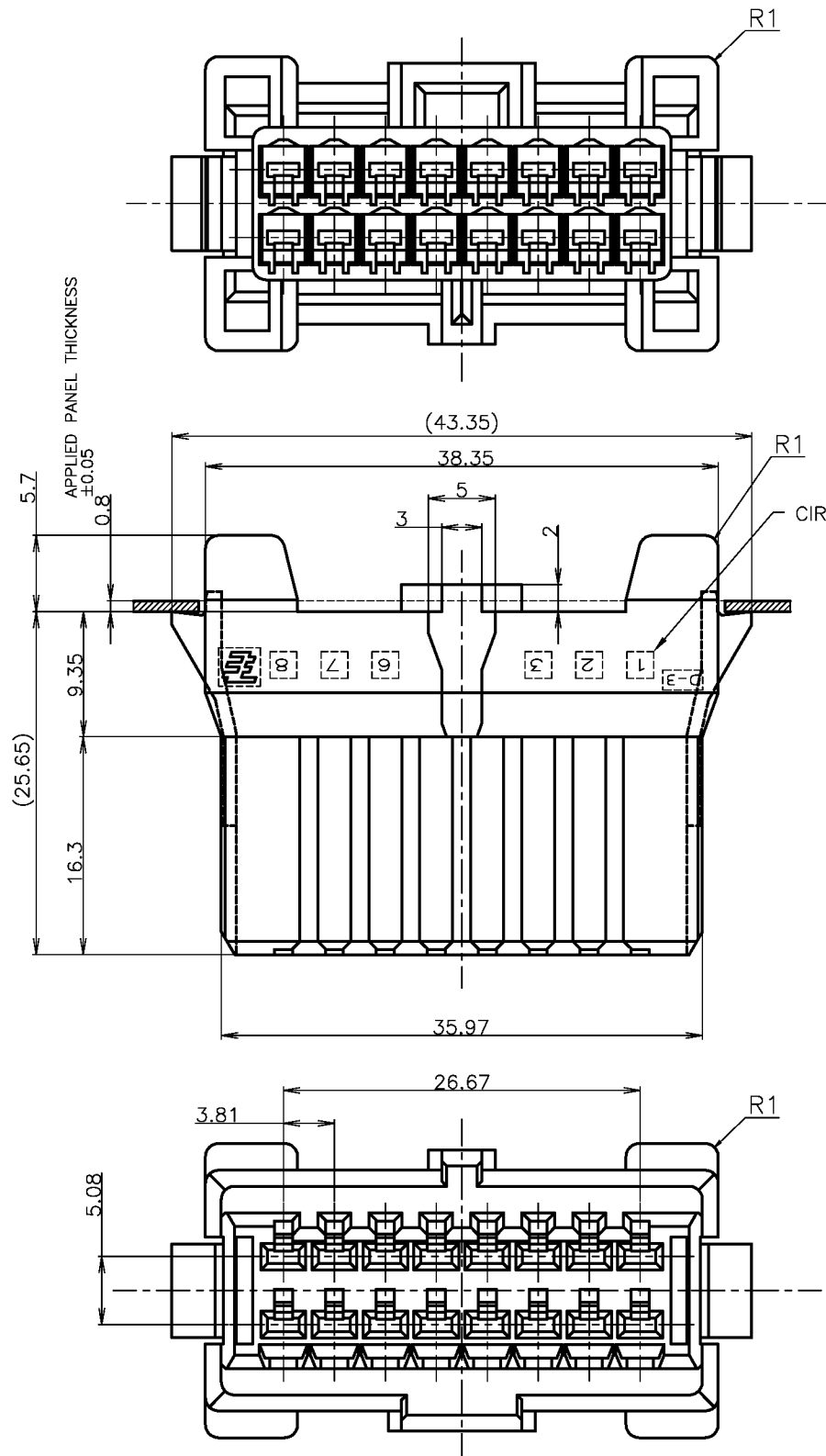


THIS DRAWING IS UNPUBLISHED. RELEASED FOR PUBLICATION  
 © COPYRIGHT BY TYCO ELECTRONICS CORPORATION. ALL RIGHTS RESERVED.

LOC	DIST	REVISIONS					
J		P	LTR	DESCRIPTION	DATE	DWN	APVD
		A		RELEASED	07OCT2008	M.T	T.F

2069459-1: AS SHOWN



- 注記: 1. 一般公差: ±0.3, ±3°  
 2. 材料: ガラス入り熱可塑性樹脂 色; 黒色  
 3. フローティング: ±0.5 (但し軸ズレ量を含む)  
 4. コネクタはパネル打抜き側から挿入すること。
- NOTE: 1. GENERAL TOLERANCE: ±0.3, ±3°  
 2. MATERIAL: G.F. THERMO PLASTIC COLOR: BLACK  
 3. FLOATING: ±0.5 (INCLUDE THE AMOUNT OF AXIAL GAP)  
 4. THE CONNECTOR SHOULD BE ENTERED IN THE PUNCHED DIRECTION OF THE PANEL.

411-*****	24~28	175194-*	20~24	175195-*	16~20	175196-*	14~16	917484-* 353715-*	16	2069459-1
取り扱い説明書 INSPECTION SHEET	AWG	P/N	AWG	P/N	AWG	P/N	AWG	P/N	極数 Pos.	型番 P/N
適用コンタクト APPLIED CONTACT										
THIS DRAWING IS A CONTROLLED DOCUMENT.					DWN M.TANAKA 07OCT2008	Tyco Electronics Corporation Kawasaki, Japan				
DIMENSIONS: mm					CHK S.KAJINUMA 07OCT2008	NAME DYNAMIC DRAWING CONNECTOR PANEL MOUNT SNAP FIT TYPE 3.81 X 5.08 PITCH				
TOLERANCES UNLESS OTHERWISE SPECIFIED: 0 PLC ±- 1 PLC ±- 2 PLC ±- 3 PLC ±- 4 PLC ±- ANGLES ±-					APVD T.FUTATSUGI 07OCT2008	PRODUCT SPEC 108-5863				
MATERIAL					APPLICATION SPEC	SIZE A3		CAGE CODE 00779	DRAWING NO C-2069459	RESTRICTED TO
FINISH					WEIGHT	CUSTOMER DRAWING		SCALE 2:1	SHEET 1 of 2	REV A

4

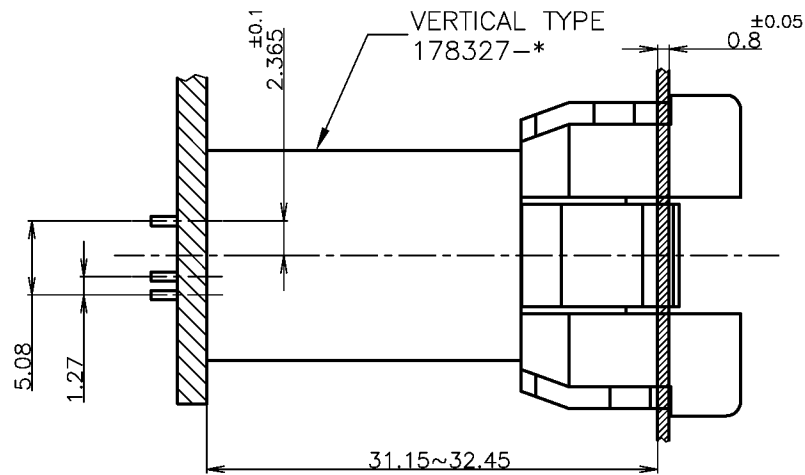
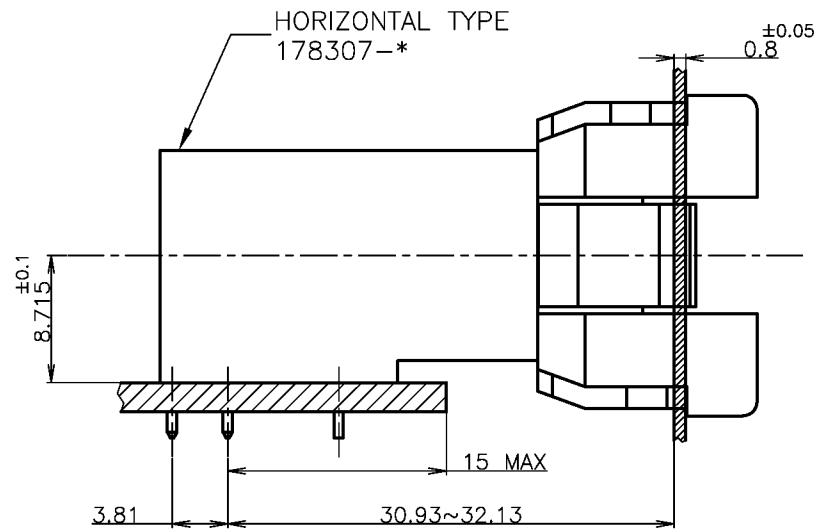
3

2

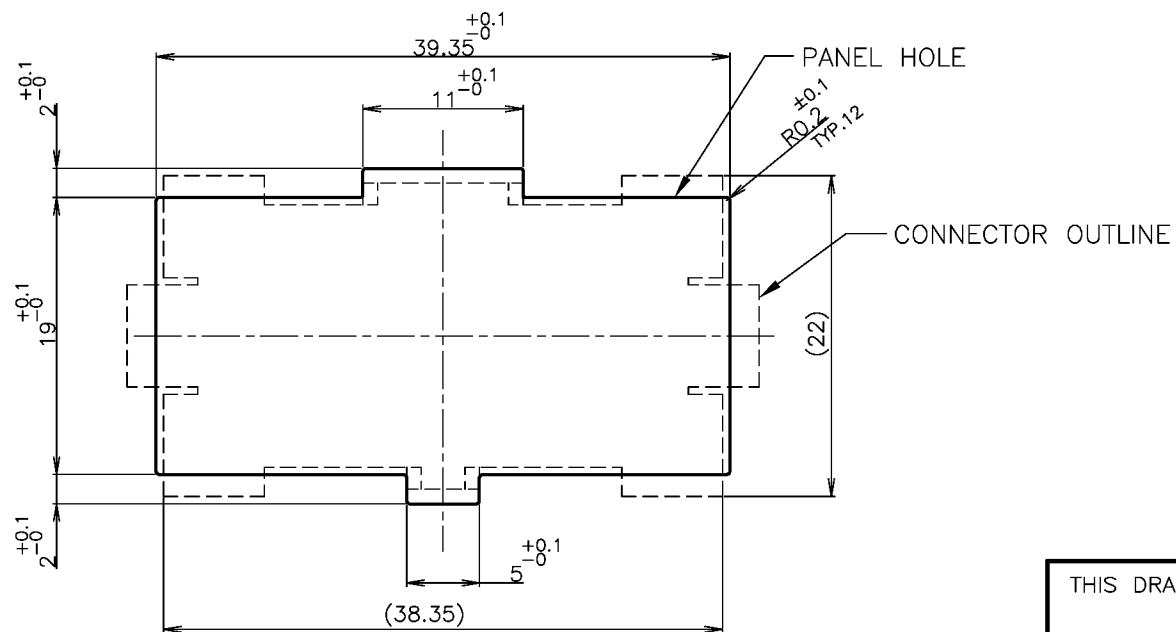
1

THIS DRAWING IS UNPUBLISHED. RELEASED FOR PUBLICATION  
 © COPYRIGHT BY TYCO ELECTRONICS CORPORATION. ALL RIGHTS RESERVED.

LOC	DIST	REVISIONS			
P	LTR	DESCRIPTION	DATE	DWN	APVD
J	—	SEE SHEET 1	—	—	—



RECOMMENDED CONNECTOR LAYOUT



RECOMMENDED PANEL LAYOUT

THIS DRAWING IS A CONTROLLED DOCUMENT.		DWN	Tyco Electronics Corporation Kawasaki, Japan	
DIMENSIONS: mm		CHK	NAME	
TOLERANCES UNLESS OTHERWISE SPECIFIED:		APVD	DYNAMIC DRAWING CONNECTOR PANEL MOUNT SNAP FIT TYPE 3.81 X 5.08 PITCH	
0 PLC ± -		PRODUCT SPEC	SIZE	RESTRICTED TO
1 PLC ± -		APPLICATION SPEC	CAGE CODE	DRAWING NO
2 PLC ± -		WEIGHT	A3	00779
3 PLC ± -		CUSTOMER DRAWING	C-2069459	
4 PLC ± -		SCALE	2:1	
ANGLES ± -		SHEET	2 OF 2	
FINISH		REV	A	